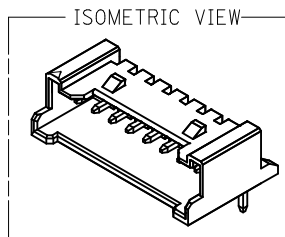
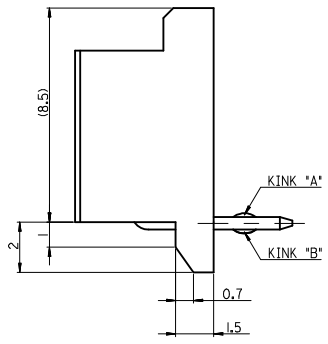
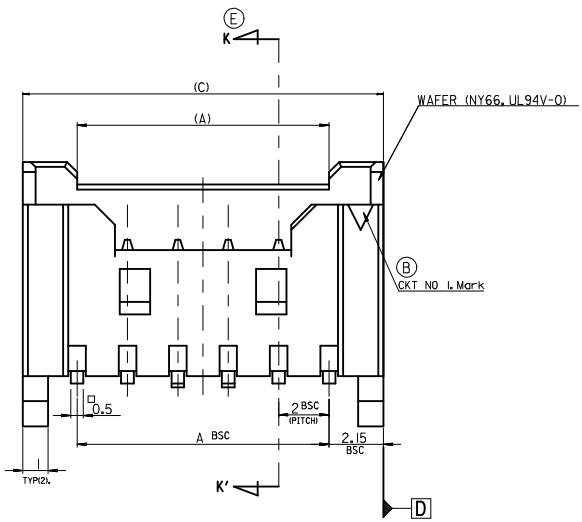


© LEGEND

SD-35363-*** * COLOR

- 0 : NATURAL
- 1 : BLACK
- 2 : RED
- 3 : YELLOW
- 4 : BLUE
- 5 : GREEN



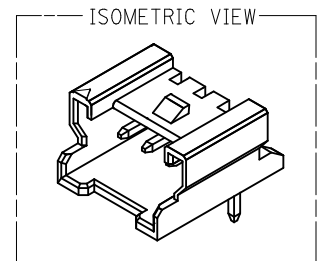
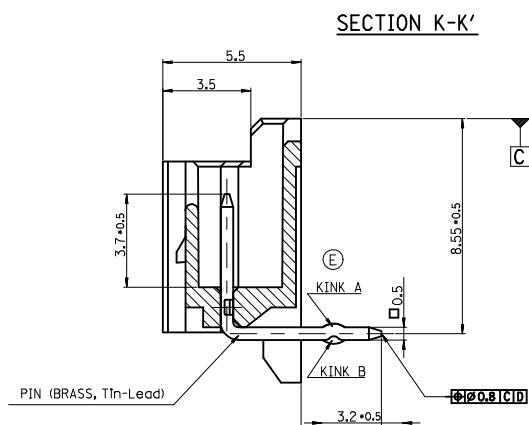
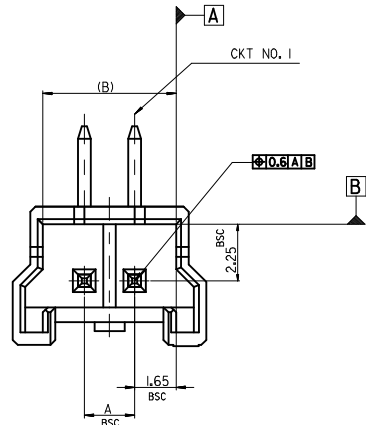
32.3	31.3	28	-15 *	15
30.3	29.3	26	-14 *	14
28.3	27.3	24	-13 *	13
26.3	25.3	22	-12 *	12
24.3	23.3	20	-11 *	11
22.3	21.3	18	-10 *	10
20.3	19.3	16	-09 *	9
18.3	17.3	14	-08 *	8
16.3	15.3	12	-07 *	7
14.3	13.3	10	-06 *	6
12.3	12.3	8	-05 *	5
10.3	9.3	6	35363-04 *	4
(C)	(B)	A	ENG. NO.	CKT

- NOTES
- ① MATERIAL : UNFILLED POLYAMIDE, UL94V-0
 - 2. MATING HOUSING : 35007-***0*
 - MATING TERMINAL : 50212-8000
 - △ CHAMBER : 0.3 MAX.
 - 4. KINK

CKT NO	1	2	3	4	5	N-2	N-1	N
6 CKT OVER	-	A	B	-	-	B	A	-
5 CKT	A	B	-	B	A			
4 CKT	A	B	B	A				

5. PRODUCT SPECIFICATION NO : PS-35507-001

REVISED EC NO: KOR2008-0018 DRWN: JHBAE 2009/01/14 CHKD: YSOOK IM 2009/01/14 APPR: YUNSIKKIM 2009/01/15	QUALITY SYMBOLS	GENERAL TOLERANCES (UNLESS SPECIFIED)	DIMENSION STYLE	SCALE	DESIGN UNITS	THIRD ANGLE PROJECTION
	▼ = 0 ◻ = 0	mm INCH 4 PLACES ± --- ± --- 3 PLACES ± --- ± --- 2 PLACES ± --- ± --- 1 PLACE ± 0.15 ± --- ANGULAR ± 1°	MM ONLY	5:1	METRIC	
	DESCRIPTION	DRAWN BY	DATE	TITLE	2.0 W/B CONN WAFER ASSY (R/A)	
		Y SOOK IM	1996/09/11		MOLEX INCORPORATED	
		CHECKED BY	DATE	MATERIAL NO.	DOCUMENT NO.	SHEET NO.
		JKOH	1996/09/11			1 OF 3
		APPROVED BY	DATE	ENTER PART SD-35363-001		
		CWLEE	1996/09/11	THIS DRAWING CONTAINS INFORMATION THAT IS PROPRIETARY TO MOLEX INCORPORATED AND SHOULD NOT BE USED WITHOUT WRITTEN PERMISSION		

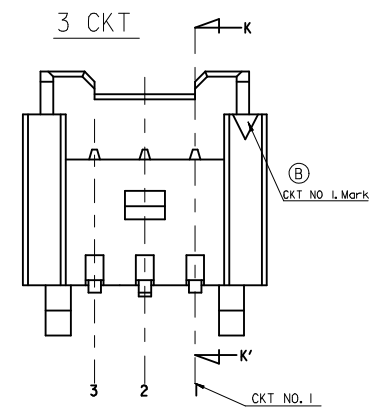
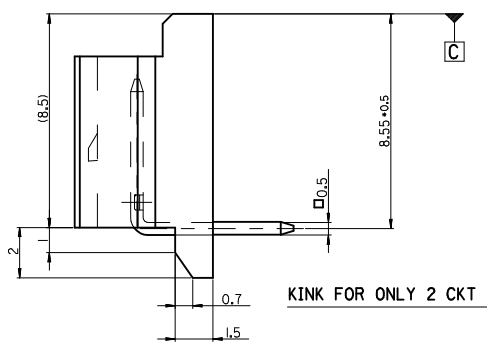
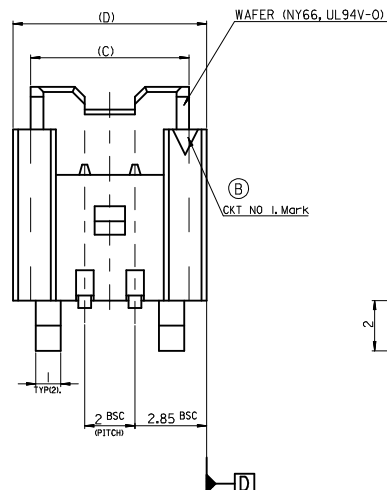


FOR 2 & 3 CKTS.

LEGEND

SD-35363-*** | * COLOR

0	: NATURAL
1	: BLACK
2	: RED
3	: YELLOW
4	: BLUE
5	: GREEN



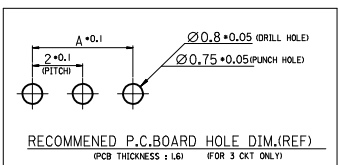
NOTES

- 1. MATERIAL : UNFILLED POLYAMIDE, UL94V-0
- 2. MATING HOUSING : 35007-***0*
- MATING TERMINAL : 50212-8000
- 3. CHAMBER : 0.3 MAX.
- 4. KINK

CKT NO	1	2	3
2 CKT	NONE	KINK	
3 CKT	A	B	A

5. PRODUCT SPECIFICATION NO : PS-35507-001

9.7	8.3	7.3	4	-031*	3
7.7	6.3	5.3	2	35363-021*	2
(D)	(C)	(B)	A	ENG. NO.	CKT



30 over	±0.3
10 over 30 under	±0.25
10 under	±0.2
ANGLE	±3°
GENERAL TOLERANCE	

REVISED
 EC NO: KOR2008-0018
 DRWN: JBAE 2009/01/14
 CHKD: YS00KIM 2009/01/14
 APPR: YUNS IKIM 2009/01/15

QUALITY SYMBOLS
 ▽=0
 ▽=0

GENERAL TOLERANCES (UNLESS SPECIFIED)

	mm	INCH
4 PLACES	±---	±---
3 PLACES	±---	±---
2 PLACES	±---	±---
1 PLACE	±0.15	±---
ANGULAR ± 1°		

DRAFT WHERE APPLICABLE MUST REMAIN WITHIN DIMENSIONS

DIMENSION STYLE
MM ONLY

SCALE
5:1

DESIGN UNITS
METRIC

THIRD ANGLE PROJECTION

DRAWN BY
 YS00KIM

DATE
 1996/09/11

CHECKED BY
 JKOH

DATE
 1996/09/11

APPROVED BY
 CWLEE

DATE
 1996/09/11

MATERIAL NO.

ENTER PART

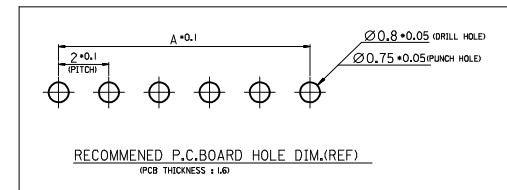
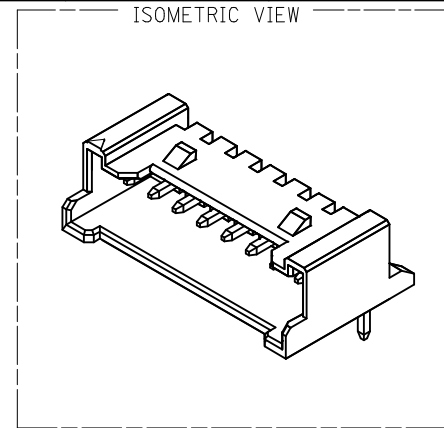
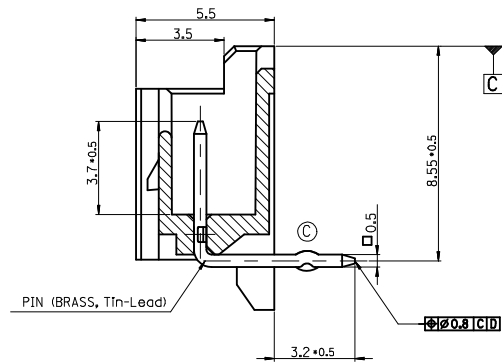
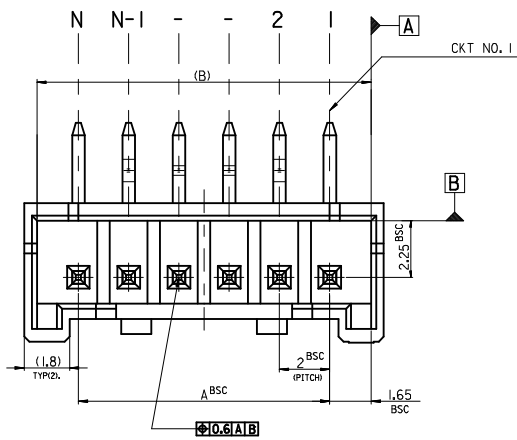
2.0 W/B CONN
 WAFER ASSY
 (R/A)

MOLEX INCORPORATED

DOCUMENT NO.
SD-35363-001

SHEET NO.
2 OF 3

THIS DRAWING CONTAINS INFORMATION THAT IS PROPRIETARY TO MOLEX INCORPORATED AND SHOULD NOT BE USED WITHOUT WRITTEN PERMISSION

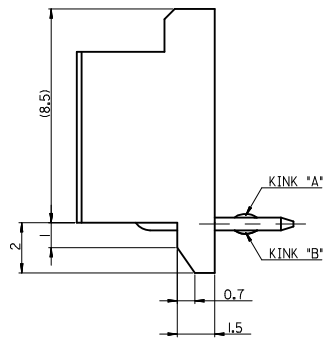
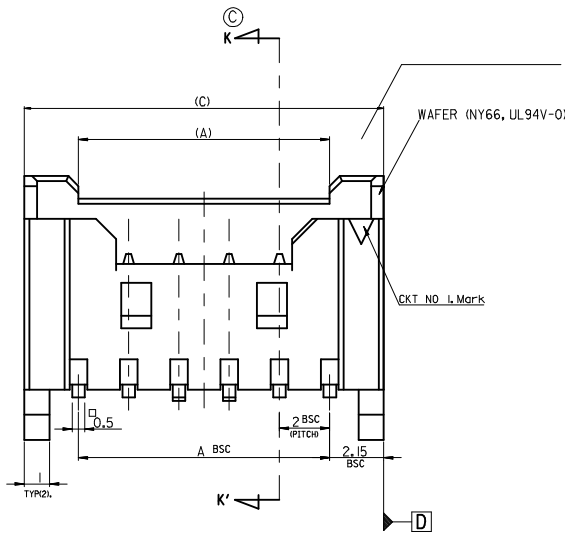


LEGEND

SD-35363-*** | * COLOR

- 0 : NATURAL
- 1 : BLACK
- 2 : RED
- 3 : YELLOW
- 4 : BLUE
- 5 : GREEN

42.3	41.3	38	35363-20 *	20
(C)	(B)	A	ENG. NO.	CKT



- NOTES
- MATERIAL : UNFILLED POLYAMIDE, UL94V-0
 - MATING HOUSING : 35007-***0*
 - MATING TERMINAL : 50212-8000
 - KINK

CKT NO	1	2	3	4	N-3	N-2	N-1	N
20	-	A	B	-	-	B	A	-

30 over	+0.3
10 over 30 under	±0.25
10 under	±0.2
ANGLE	±3°
GENERAL TOLERANCE	

REVISED
 EC NO: KOR2008-0018
 DRWN: JHAE
 CHKD: YS00KIM
 APPR: YUNS IKKIM

QUALITY SYMBOLS
 ▽=0
 ▽=0

GENERAL TOLERANCES (UNLESS SPECIFIED)

	mm	INCH
4 PLACES	±---	±---
3 PLACES	±---	±---
2 PLACES	±---	±---
1 PLACE	±0.15	±---
ANGULAR ± 1°		

DRAFT WHERE APPLICABLE MUST REMAIN WITHIN DIMENSIONS

DIMENSION STYLE: MM ONLY

SCALE: 5:1

DESIGN UNITS: METRIC

THIRD ANGLE PROJECTION

DRAWN BY: YS00KIM DATE: 1996/09/11

CHECKED BY: JKOH DATE: 1996/09/11

APPROVED BY: CWLEE DATE: 1996/09/11

MATERIAL NO. ENTER PART

TITLE: 2.0 W/B CONN WAFER ASSY (R/A)

MOLEX INCORPORATED

DOCUMENT NO. SD-35363-001

SHEET NO. 3 OF 3

THIS DRAWING CONTAINS INFORMATION THAT IS PROPRIETARY TO MOLEX INCORPORATED AND SHOULD NOT BE USED WITHOUT WRITTEN PERMISSION