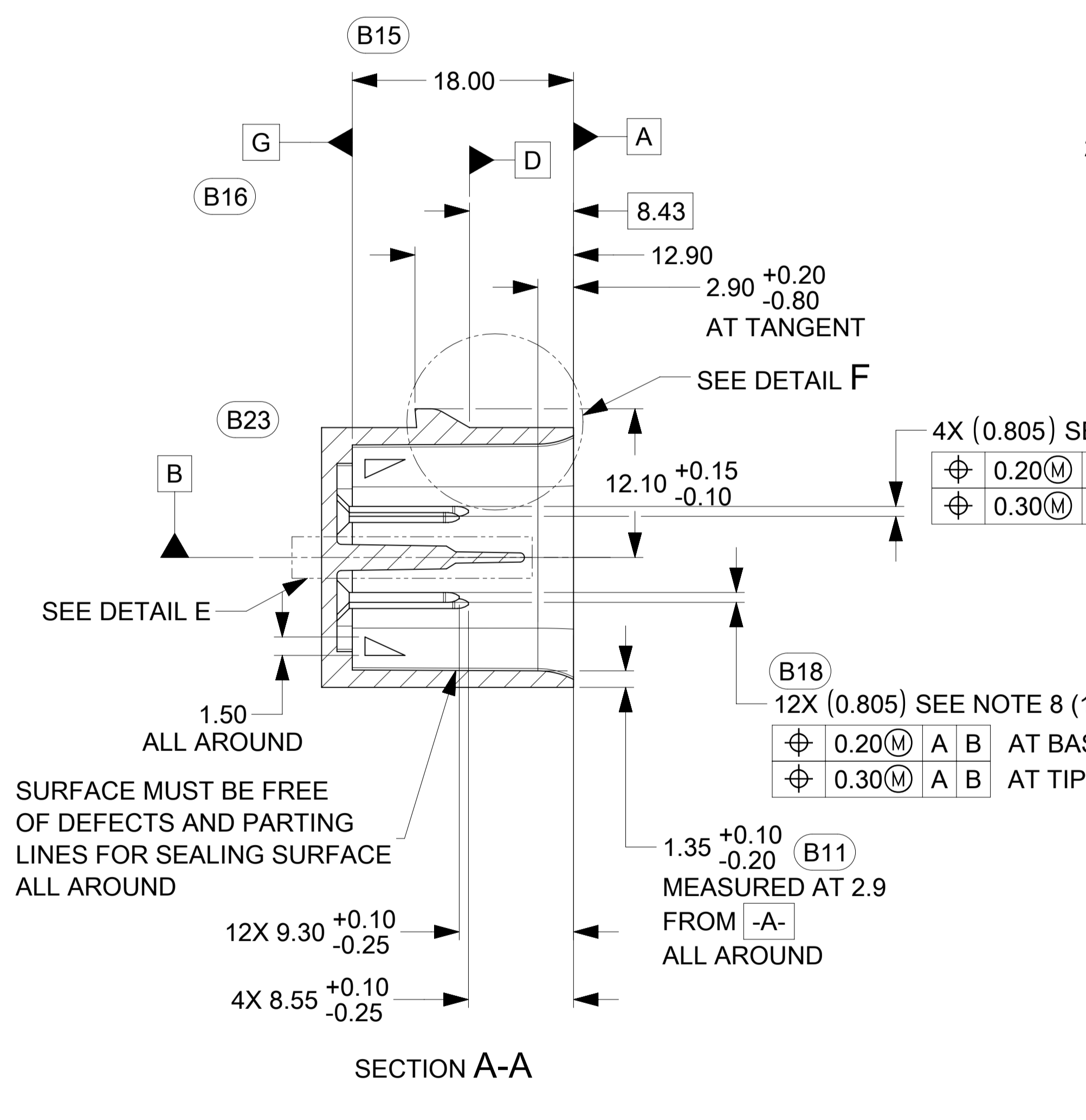
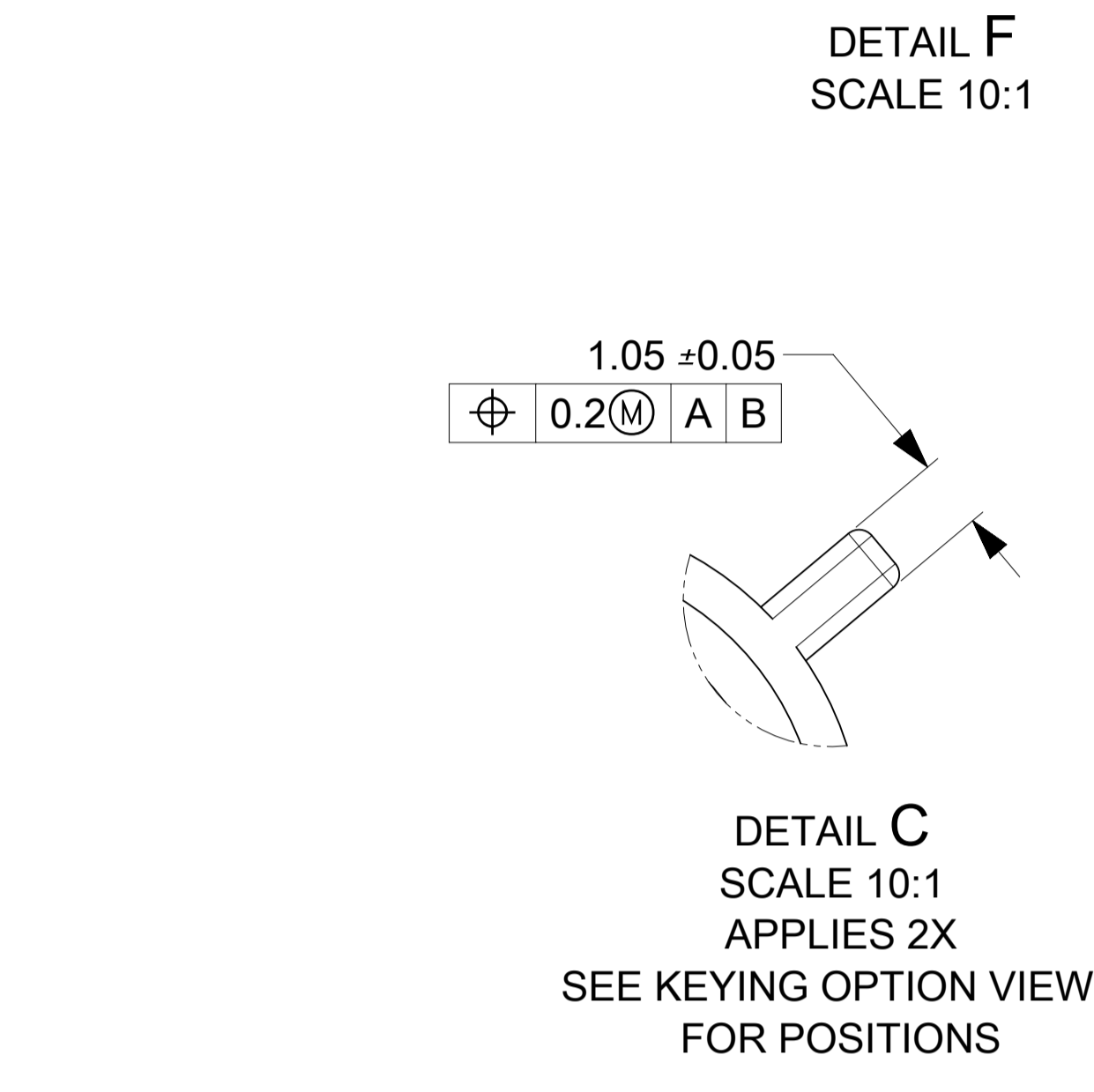
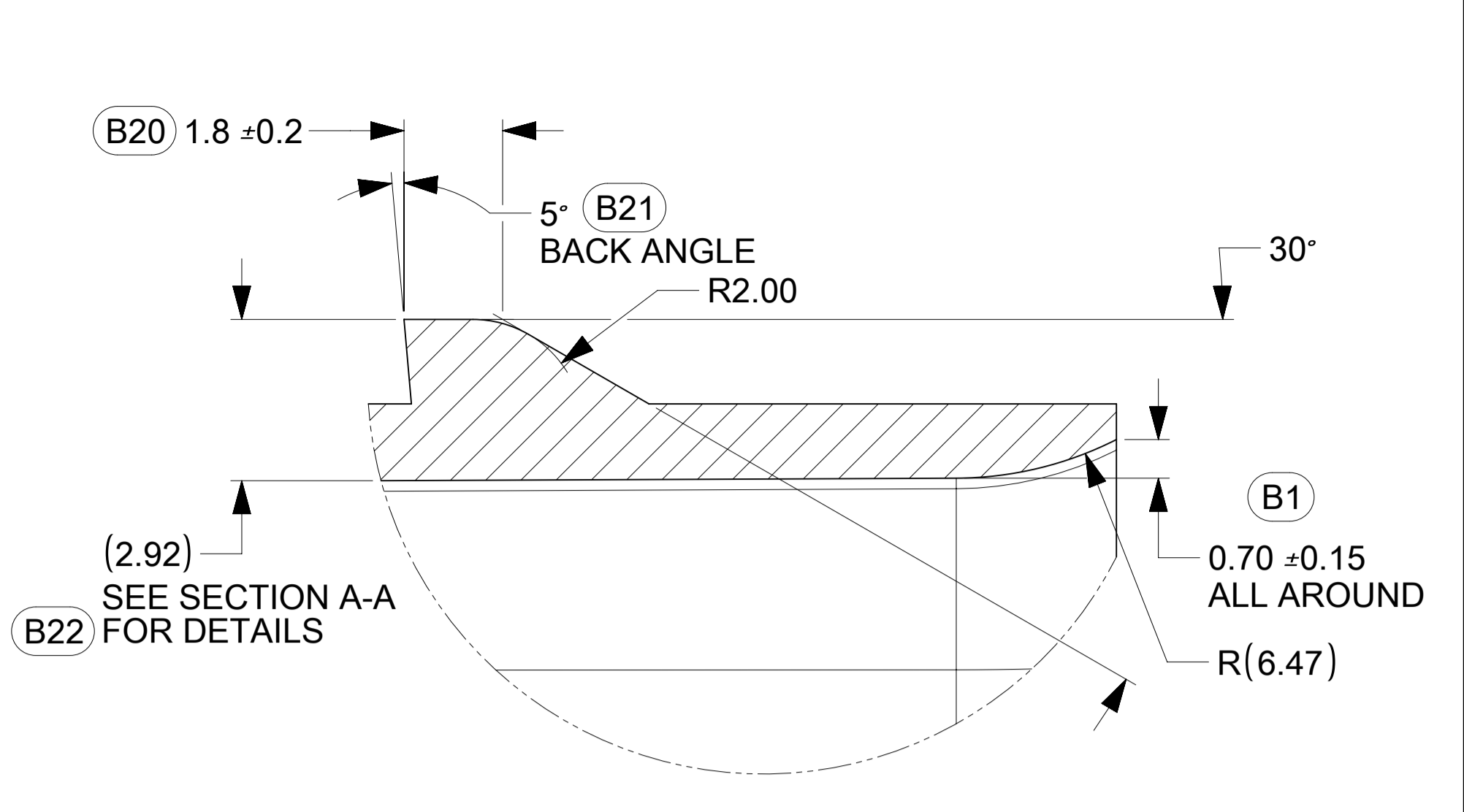
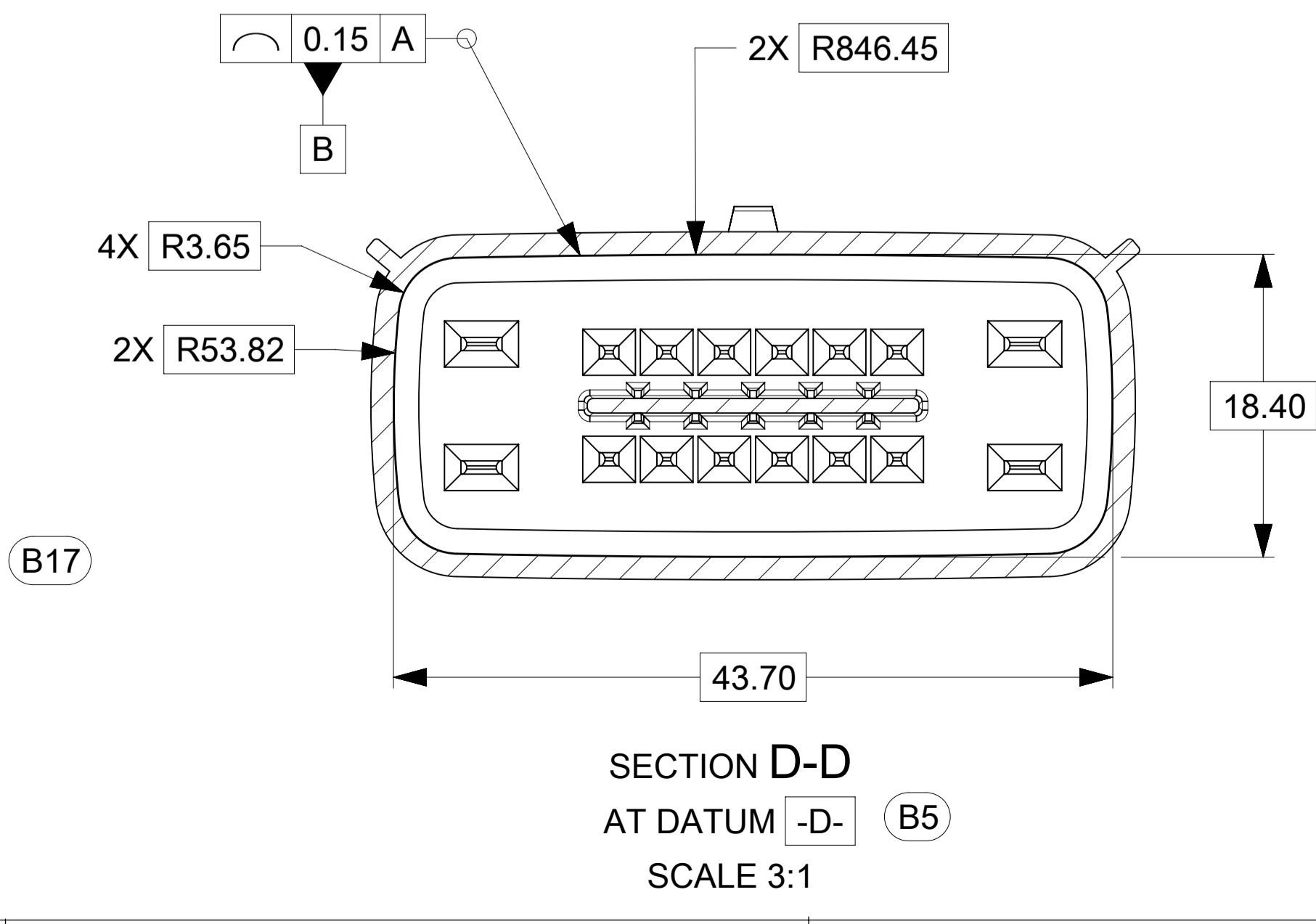
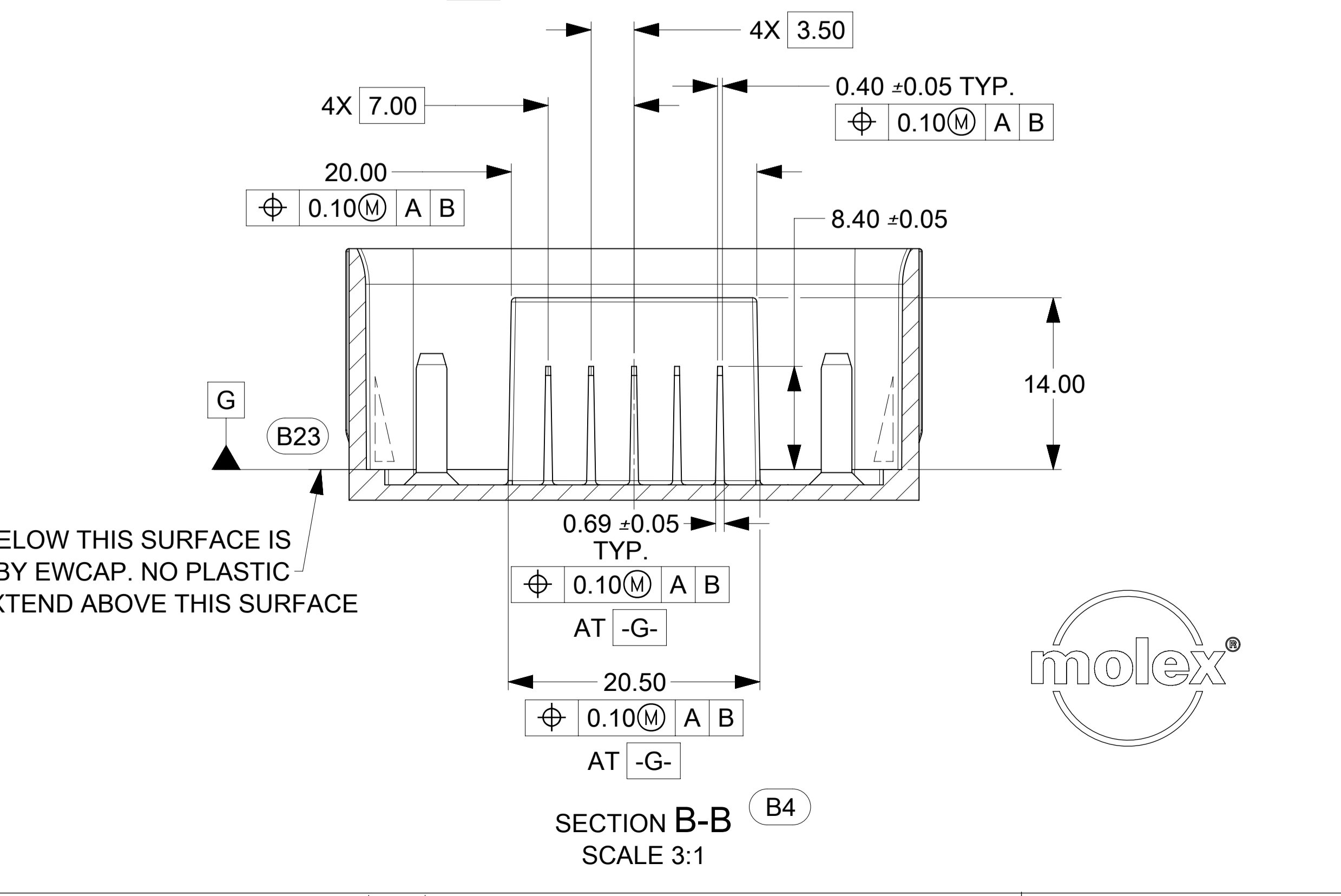
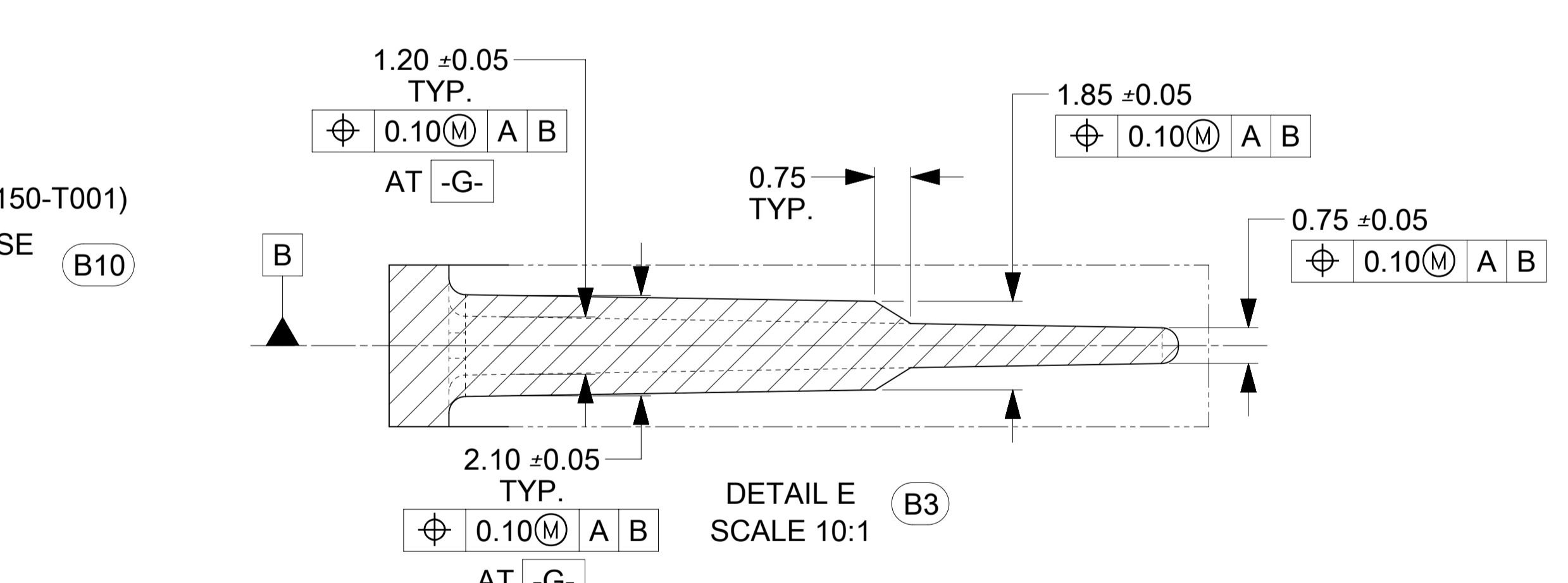
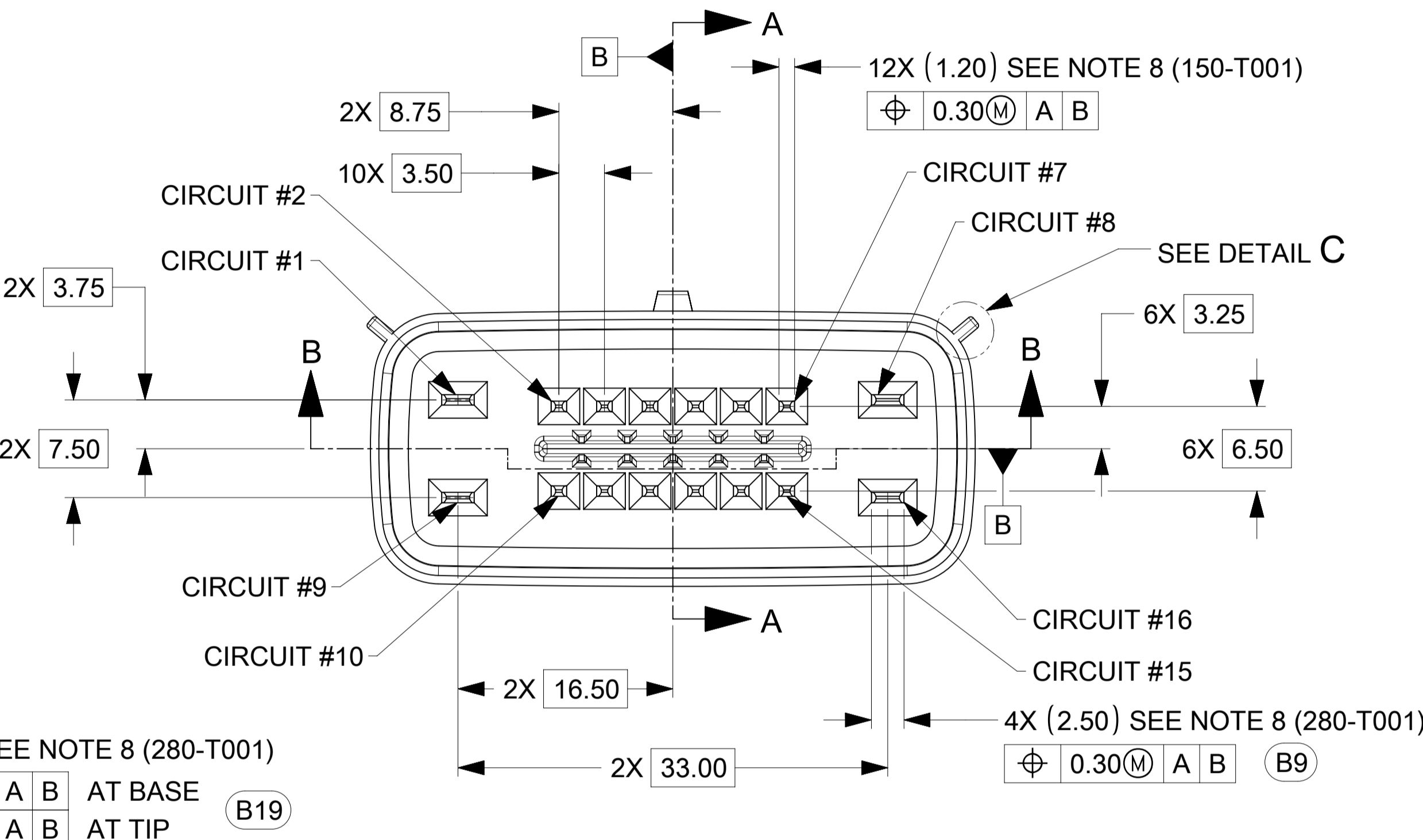
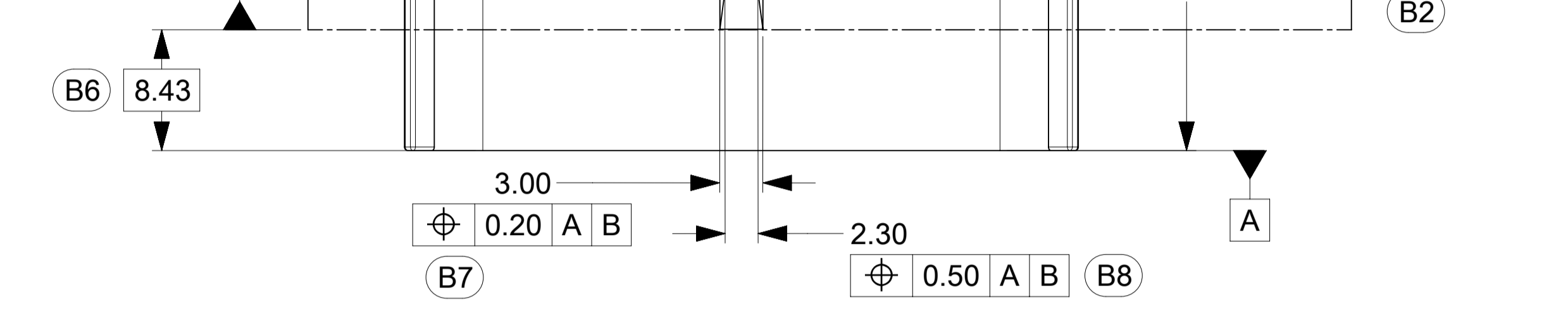
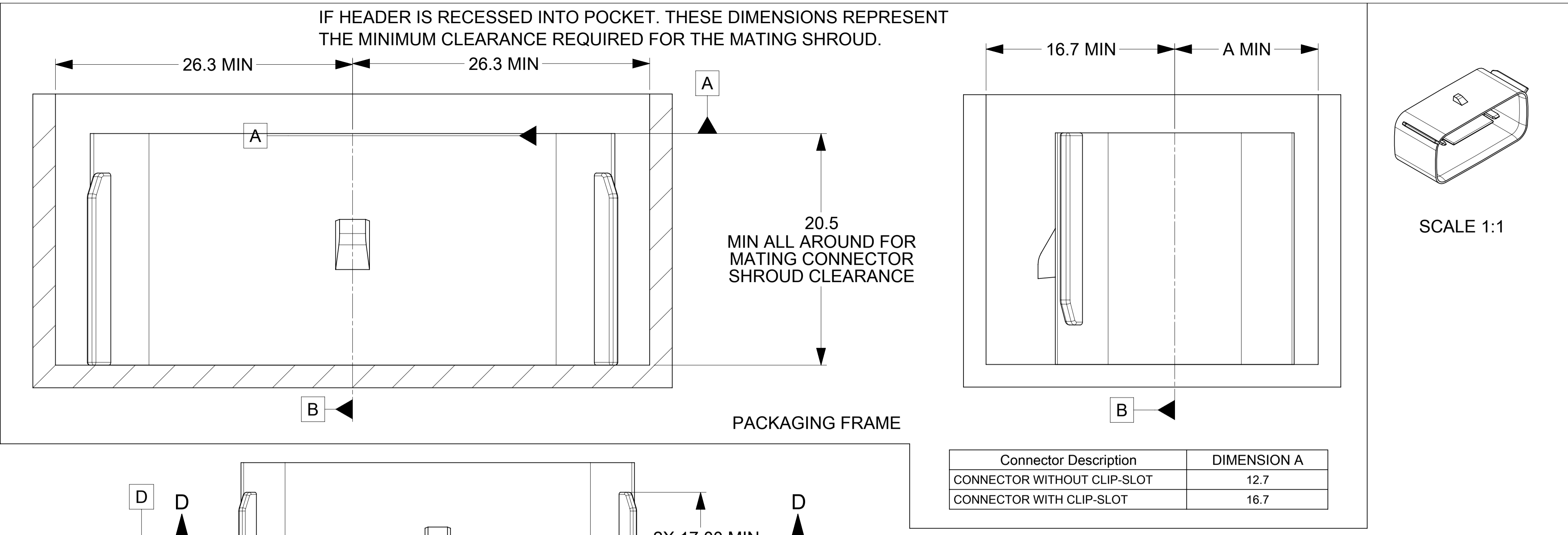


EWCAP PIN	OPTION	MATING CONNECTOR COLOR
999-S-016-2-H01	H	YELLOW
999-S-016-2-G01	G	YELLOW
999-S-016-2-F01	F	YELLOW
999-S-016-2-E01	E	YELLOW
999-S-016-2-D01	D	BLACK
999-S-016-2-C01	C	DARK GREY
999-S-016-2-B01	B	GREY
999-S-016-2-A01	A	BLACK



NOTES: UNLESS OTHERWISE SPECIFIED

- DRAFT ANGLE PERMISSIBLE 0.25° MAXIMUM.
- ALL DIMENSIONS SHOWN IN MILLIMETERS.
- DIMENSIONING AND TOLERANCING PER ASME Y14.5M-1994
- RADII ON ALL CORNERS SHOWN SHARP OR ALL UNSPECIFIED RADII: 0.25 EXCEPT AS NOTED.
- STANDARD COLORS FOR POLARIZATION (SEE CHART). DEVIATION REQUIRES APPROVAL OF AUTHORIZED PERSON.
- A FULL SHROUD ON THE MATING CONNECTOR IS REQUIRED TO INSURE THAT THE CONNECTOR-HEADER POLARIZATION FEATURES (OPTIONS A THRU H) WILL FUNCTION. THE SHROUD ALSO PREVENTS SCOOP DAMAGE TO THE HEADER PINS. REFER TO "SAE/USCAR-12 CONNECTOR DESIGN GUIDE LINES" FOR ADDITIONAL INFORMATION.
- REFER TO USCAR/EWCAP PART LIST AS FOUND ON WEBSITE <http://www.uscarteams.org>
- FOR BLADE TERMINAL DESIGN INFORMATION SEE EWCAP DWG. # EWCAP-001
- THIS IS A 100% CAD GENERATED PART. THE CAD MATHEMATICAL DATA IS THE MASTER FOR THIS PART. FOR DIMENSIONAL OR ANY INFORMATION NOT SHOWN ON THIS DRAWING, ANALYZE THE CAD MODEL.



REV	DESCRIPTION	DATE	DWN	CHK	
162	C	CHARTED DIMENSION ADDED FOR WITH AND WITHOUT CLIPSLLOT	8-3-20	GE	MV
088	B23	ADDED DRAFT DIRECTION SYMBOL	3-25-11		
088	B22	ADDED REF DIMENSION FOR	3-11-11		
		LATCH HEIGHT			
088	B21	REMOVED THE WORD "OPTION" AT VIEW OF BACK ANGLE	3-11-11		
088	B20	CHANGED FROM 1.79 TO 1.80	3-11-11		
088	B19	ADDED 4X (0.805) 0.20 ±0.20 AT BASE AND 0.30 ±0.30 AT TIP FOR 2.8 BLADE TERMINALS	1-14-11		
088	B18	CHANGED 16X TO 12X FOR THE 1.5 BLADE TERMINALS	1-14-11		
088	B17	UPDATED CONNECTOR COLORS	1-14-11		
088	B16	ADDED -G-	5-04-10		
088	B15	REMOVED 0.10 ±0.10 AT -G-	5-04-10		
088	B14	REMOVED SHORTING BAR NOTE	5-04-10		
088	B13	UPDATED NOTE 8 REMOVED REV F	5-04-10		
088	B12	ADDED NOTE 9	5-04-10		
088	B11	ADDED DIM 1.35±0.10/-0.20 MEASURED AT 2.9 FROM -A- ALL AROUND	5-04-10		
088	B10	ADDED SEE NOTE 8	5-04-10		
088	B9	2.50 WAS 2.80, ADDED (280-T001)	5-04-10		
088	B8	ADDED 0.50 ±0.50 AT -G-	5-04-10		
088	B7	ADDED 0.20 ±0.20 AT -G-	5-04-10		
088	B6	ADDED DIM 8.43	5-04-10		
088	B5	ADDED SEC C-C	5-04-10		
088	B4	UPDATED SEC B-B	5-04-10		
088	B3	ADDED DETAIL D	5-04-10		
088	B2	ADDED SEC C-C	5-04-10		
088	B1	ADDED DIM 0.70±0.15 ALL AROUND	5-04-10		
088	B	RELEASED	5-04-10	KC	MV

SCALE	DRAWN BY	CHECKED BY	DATE
4 - 1	G.ELLIOTT	M.VANSLAMBROUCK	08-03-20

TOLERANCES (UNLESS OTHERWISE SPECIFIED): DIMENSIONS ARE IN MILLIMETERS, ANGLES ±3°

EWCAP

SCALE: 4 - 1

DRAWN BY: G.ELLIOTT

CHECKED BY: M.VANSLAMBROUCK

DATE: 08-03-20

TITLE: DIRECT CONNECT INTERFACE 16 WAY (2 X 8) 1.5MM SEALED MALE

REV: 08-03-20

REVISION RECORD

DATE DWN CHK

DO NOT SCALE DRAWING

COMPUTER AIDED DRAWING

REVISION LEVEL: C