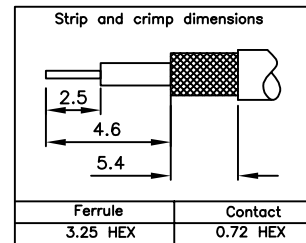
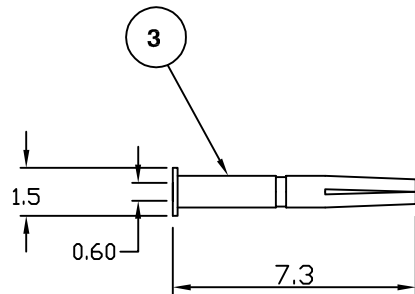
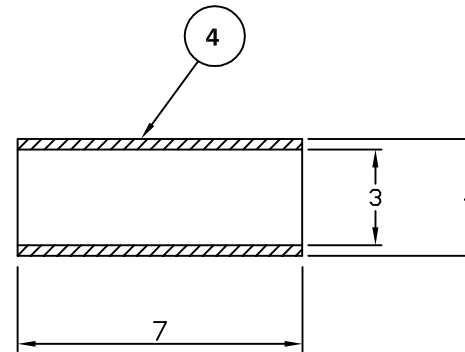
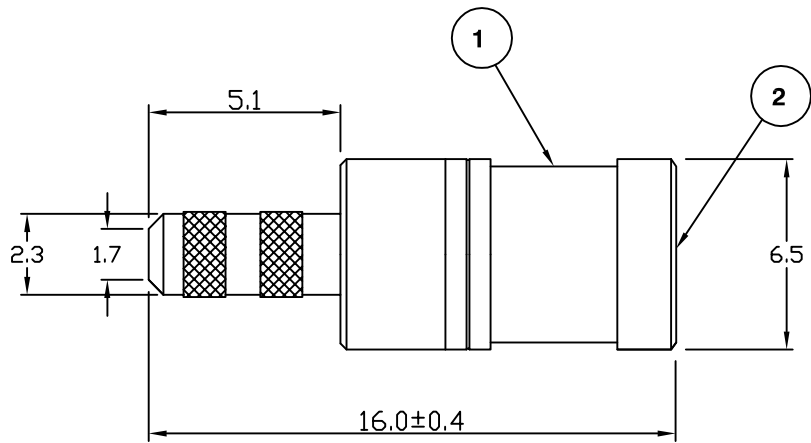


RoHS COMPLIANT



For stripping and assembly instructions see Drawing Number: VAIM1103

Electrical Characteristics

Nominal Impedance:	50 ohms
Frequency Range:	DC to 4 GHz
VSWR:	1.25+0.04f
Insertion Loss:	0.3 dB at 1.5 GHz
Operating Voltage (rms):	335 V maximum at sea level
Dielectric Withstand Voltage (rms):	1000 V maximum at sea level
Contact Resistance:	3.0 milliohms maximum
Insulation Resistance:	1000 megohms minimum

Mechanical Characteristics

Mating Cycles:	500 cycles minimum
Interface Dimensions:	Conform to MIL-C-39012

Environmental Characteristics

Temperature Range:	-65 °C to +165 °C
--------------------	-------------------

PART	DESCRIPTION
1	Body Brass, gold plated
2	Dielectric PTFE
3	Contact Brass, gold plated
4	Ferrule Brass, gold plated

Dimension Update	JC	3	13 May 15
Profile Change	LB	2	20 Feb 09
First Issue	RP	1	30 Mar 07
DESCRIPTION OF REVISION	APPVD	ISS	DATE



11 Bilton Road,
Chelmsford, Essex,
CM1 2UP UK.
Tel: +44 (0) 1245 359515
Fax: +44 (0) 1245 358938

SCALE: Not To Scale	DRAWN BY:	R Presland
DIMENSIONS: mm	CHECKED BY:	M Spooner
TOLERANCES: ± 0.2mm unless otherwise stated	APPROVED BY:	M Spooner
	DATE:	30 Mar 07

TITLE:
**SMB Straight Plug
(Female) for RG174/U**

PART NUMBER:
VMB10-2071

PAGE: 1 of 1