

## N-channel 80 V, 0.0056 $\Omega$ typ., 110 A, STripFET™ F6 Power MOSFET in a TO-220 package

Datasheet - production data

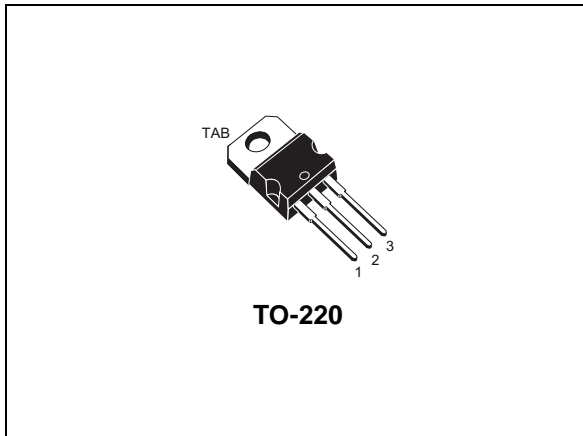
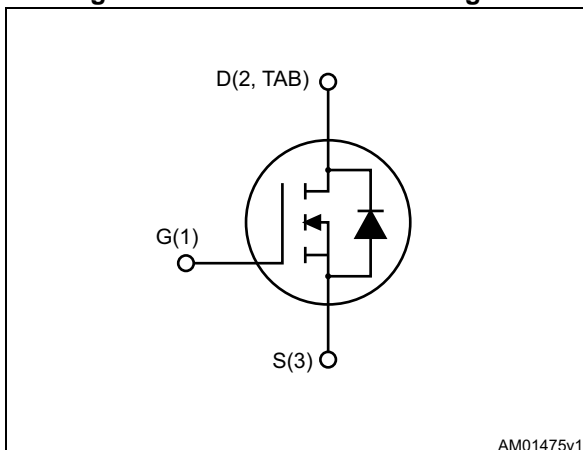


Figure 1. Internal schematic diagram



### Features

Order code	V <sub>DS</sub>	R <sub>DS(on)max</sub>	I <sub>D</sub>	P <sub>TOT</sub>
STP110N8F6	80 V	0.0065 $\Omega$	110 A	200 W

- Very low on-resistance
- Very low gate charge
- High avalanche ruggedness
- Low gate drive power loss

### Applications

- Switching applications

### Description

This device is an N-channel Power MOSFET developed using the STripFET™ F6 technology with a new trench gate structure. The resulting Power MOSFET exhibits very low R<sub>DS(on)</sub> in all packages.

Table 1. Device summary

Order code	Marking	Package	Packing
STP110N8F6	110N8F6	TO-220	Tube

# Contents

- 1      Electrical ratings ..... 3**
- 2      Electrical characteristics ..... 4**
  - 2.1    Electrical characteristics (curves) ..... 6
- 3      Test circuits ..... 8**
- 4      Package information ..... 9**
  - 4.1    TO-220 package information ..... 10
- 5      Revision history ..... 12**

# 1 Electrical ratings

**Table 2. Absolute maximum ratings**

Symbol	Parameter	Value	Unit
$V_{DS}$	Drain-source voltage	80	V
$V_{GS}$	Gate-source voltage	$\pm 20$	V
$I_D$	Drain current (continuous) at $T_C = 25\text{ }^\circ\text{C}$	110	A
$I_D$	Drain current (continuous) at $T_C = 100\text{ }^\circ\text{C}$	85	A
$I_{DM}^{(1)}$	Drain current (pulsed)	440	A
$P_{TOT}$	Total dissipation at $T_C = 25\text{ }^\circ\text{C}$	200	W
$E_{AS}^{(2)}$	Single pulse avalanche energy	180	mJ
$T_J$	Operating junction temperature	-55 to 175	$^\circ\text{C}$
$T_{stg}$	Storage temperature		$^\circ\text{C}$

1. Pulse width is limited by safe operating area

2. Starting  $T_J = 25\text{ }^\circ\text{C}$ ,  $I_D = 55\text{ A}$ ,  $V_{DD} = 60\text{ V}$

**Table 3. Thermal data**

Symbol	Parameter	Value	Unit
$R_{thj-case}$	Thermal resistance junction-case max.	0.75	$^\circ\text{C/W}$
$R_{thj-amb}$	Thermal resistance junction-ambient max.	62.5	$^\circ\text{C/W}$

## 2 Electrical characteristics

( $T_C = 25\text{ °C}$  unless otherwise specified)

**Table 4. On/off-state**

Symbol	Parameter	Test conditions	Min.	Typ.	Max.	Unit
$V_{(BR)DSS}$	Drain-source breakdown voltage	$V_{GS} = 0, I_D = 1\text{ mA}$	80			V
$I_{DSS}$	Zero-gate voltage drain current	$V_{GS} = 0, V_{DS} = 80\text{ V}$			1	$\mu\text{A}$
		$V_{GS} = 0, V_{DS} = 80\text{ V}, T_C = 125\text{ °C}$			100	$\mu\text{A}$
$I_{GSS}$	Gate-body leakage current	$V_{DS} = 0, V_{GS} = +20\text{ V}$			100	nA
$V_{GS(th)}$	Gate threshold voltage	$V_{DS} = V_{GS}, I_D = 250\text{ }\mu\text{A}$	2.5		4.5	V
$R_{DS(on)}$	Static drain-source on- resistance	$V_{GS} = 10\text{ V}, I_D = 55\text{ A}$		0.0056	0.0065	$\Omega$

**Table 5. Dynamic**

Symbol	Parameter	Test conditions	Min.	Typ.	Max.	Unit
$C_{iss}$	Input capacitance	$V_{DS} = 40\text{ V}, f = 1\text{ MHz}, V_{GS} = 0$	-	9130	-	pF
$C_{oss}$	Output capacitance		-	320	-	pF
$C_{riss}$	Reverse transfer capacitance		-	225	-	pF
$Q_g$	Total gate charge	$V_{DD} = 40\text{ V}, I_D = 110\text{ A}, V_{GS} = 10\text{ V}$ (see <a href="#">Figure 14</a> )	-	150	-	nC
$Q_{gs}$	Gate-source charge		-	40	-	nC
$Q_{gd}$	Gate-drain charge		-	30	-	nC

**Table 6. Switching times**

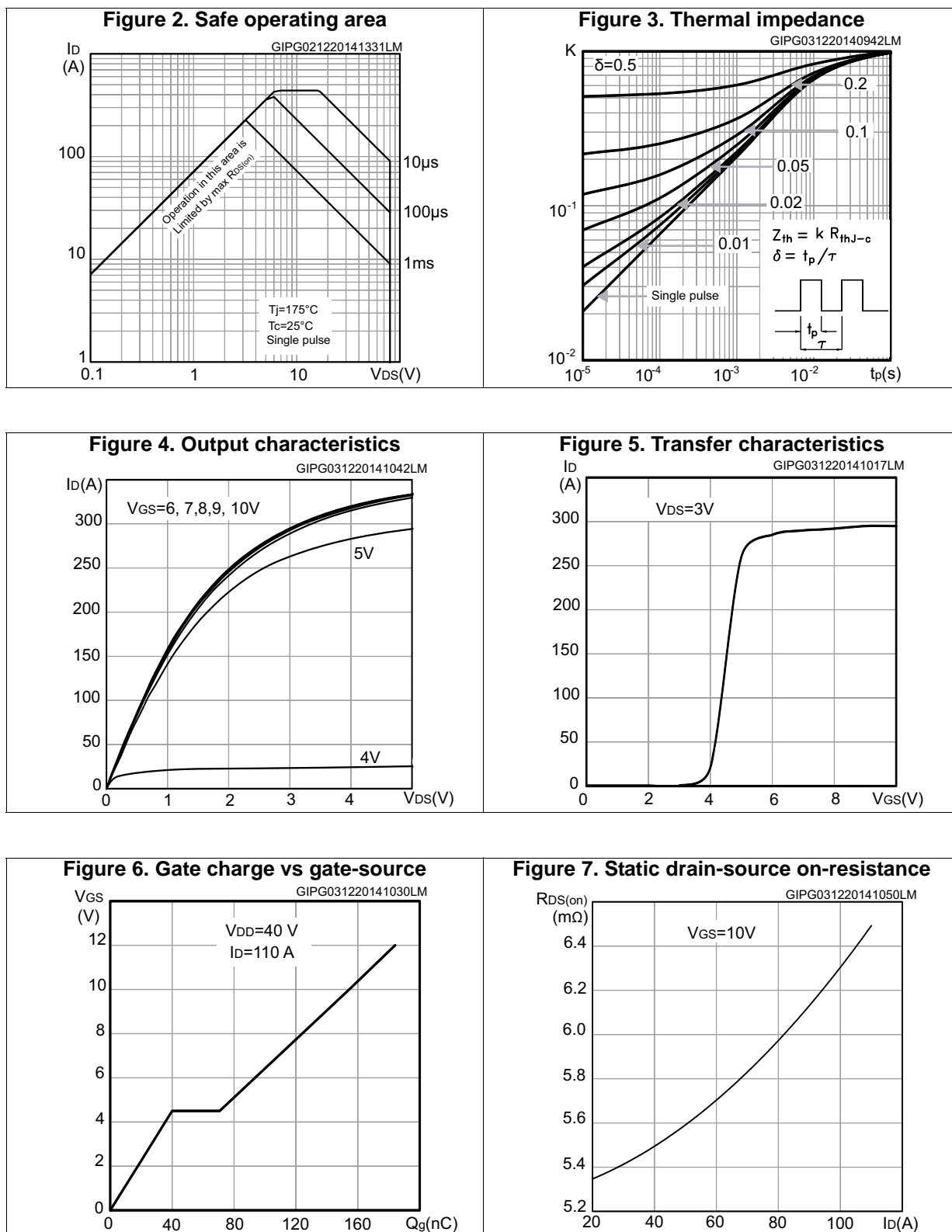
Symbol	Parameter	Test conditions	Min.	Typ.	Max.	Unit
$t_{d(on)}$	Turn-on delay time	$V_{DD} = 40\text{ V}, I_D = 55\text{ A}, R_G = 4.7\text{ }\Omega, V_{GS} = 10\text{ V}$ (see <a href="#">Figure 13</a> )	-	24	-	ns
$t_r$	Rise time		-	61	-	ns
$t_{d(off)}$	Turn-off delay time		-	162	-	ns
$t_f$	Fall time		-	48	-	ns

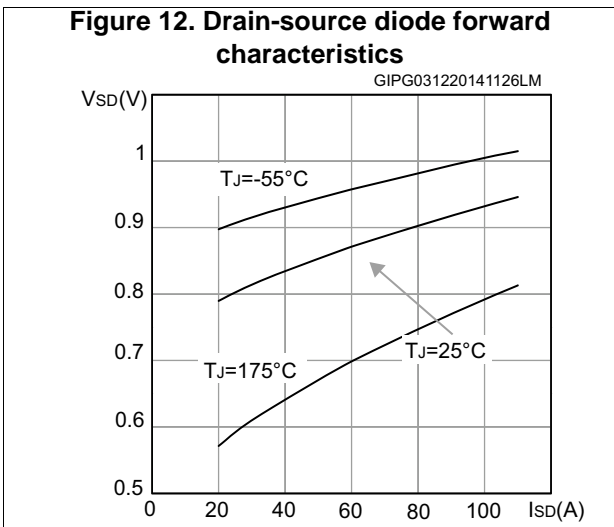
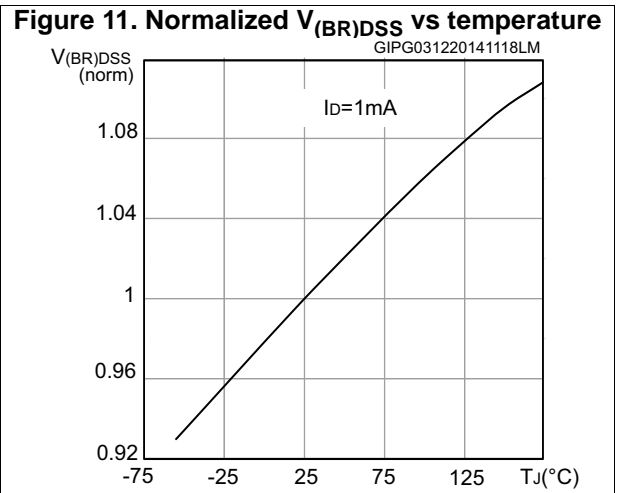
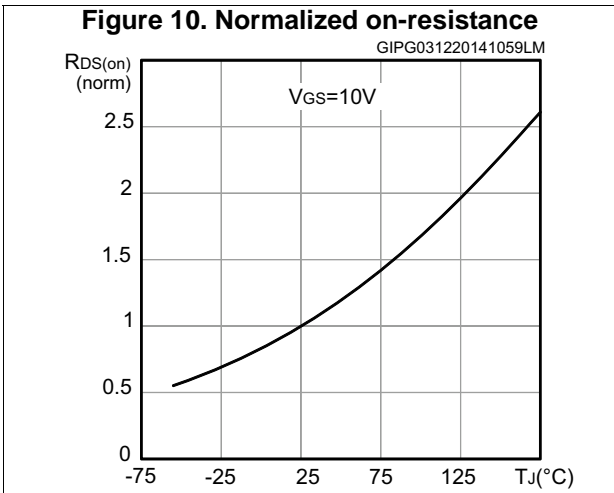
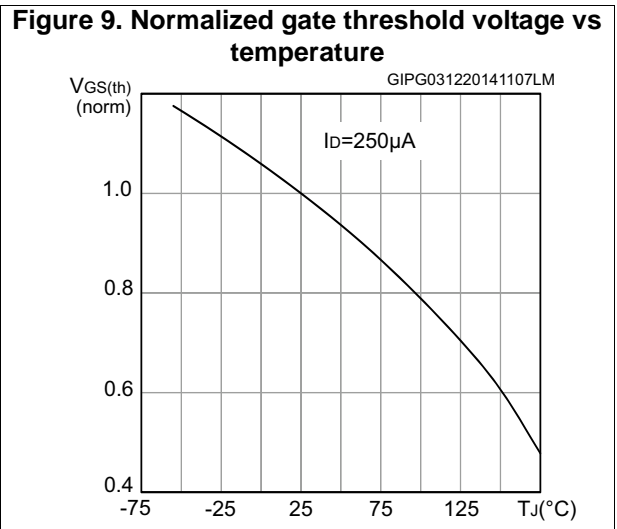
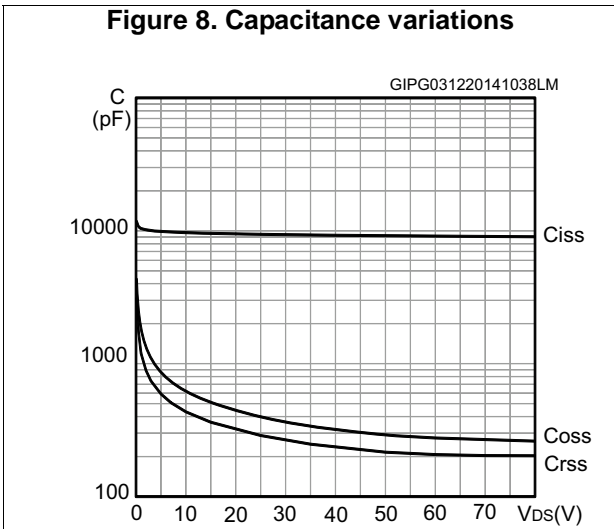
Table 7. Source-drain diode

Symbol	Parameter	Test conditions	Min.	Typ.	Max.	Unit
$V_{SD}^{(1)}$	Forward on voltage	$I_{SD} = 110 \text{ A}$ , $V_{GS} = 0$	-		1.2	V
$t_{rr}$	Reverse recovery time	$I_{SD} = 110 \text{ A}$ , $di/dt = 100 \text{ A}/\mu\text{s}$ $V_{DD} = 64 \text{ V}$ (see <a href="#">Figure 15</a> )	-	30		ns
$Q_{rr}$	Reverse recovery charge		-	34		nC
$I_{RRM}$	Reverse recovery current		-	2.3		A

1. Pulsed: pulse duration = 300  $\mu\text{s}$ , duty cycle 1.5%

## 2.1 Electrical characteristics (curves)





### 3 Test circuits

Figure 13. Switching times test circuit for resistive load

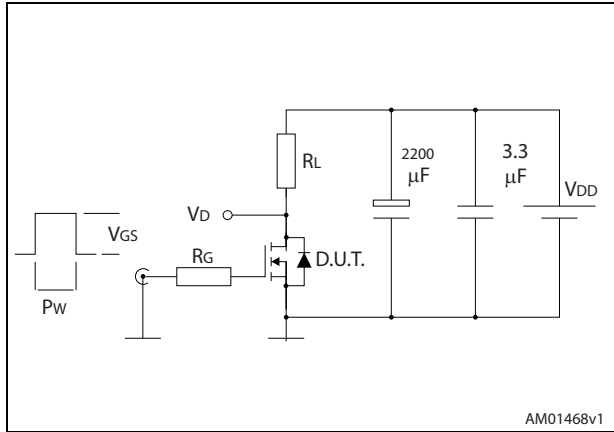


Figure 14. Gate charge test circuit

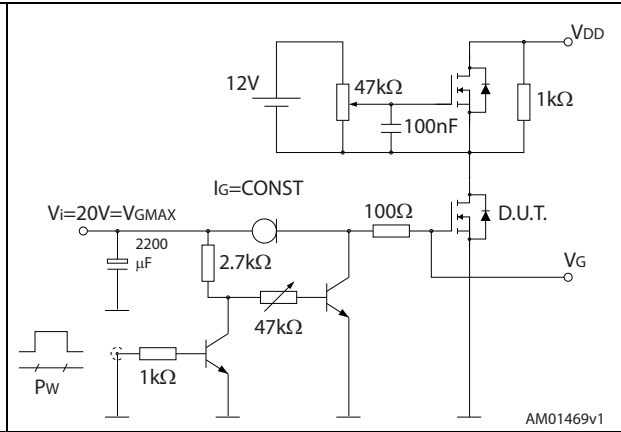


Figure 15. Test circuit for inductive load switching and diode recovery times



Figure 16. Unclamped inductive load test circuit

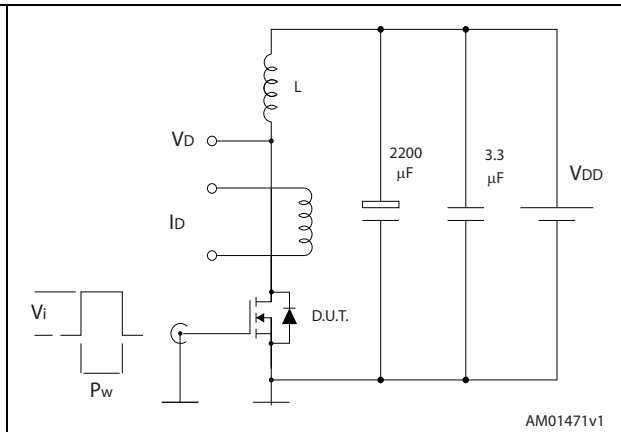
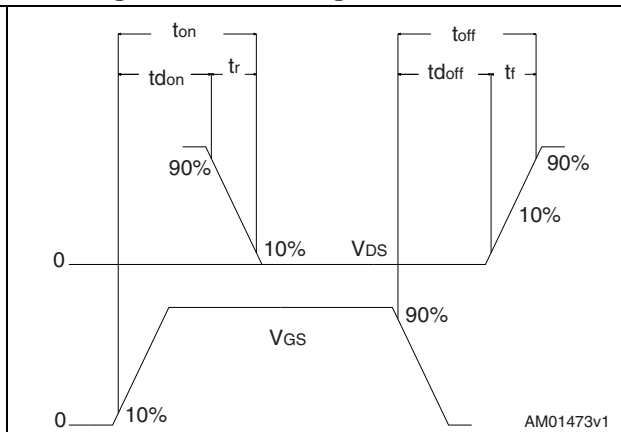


Figure 17. Unclamped inductive waveform



Figure 18. Switching time waveform



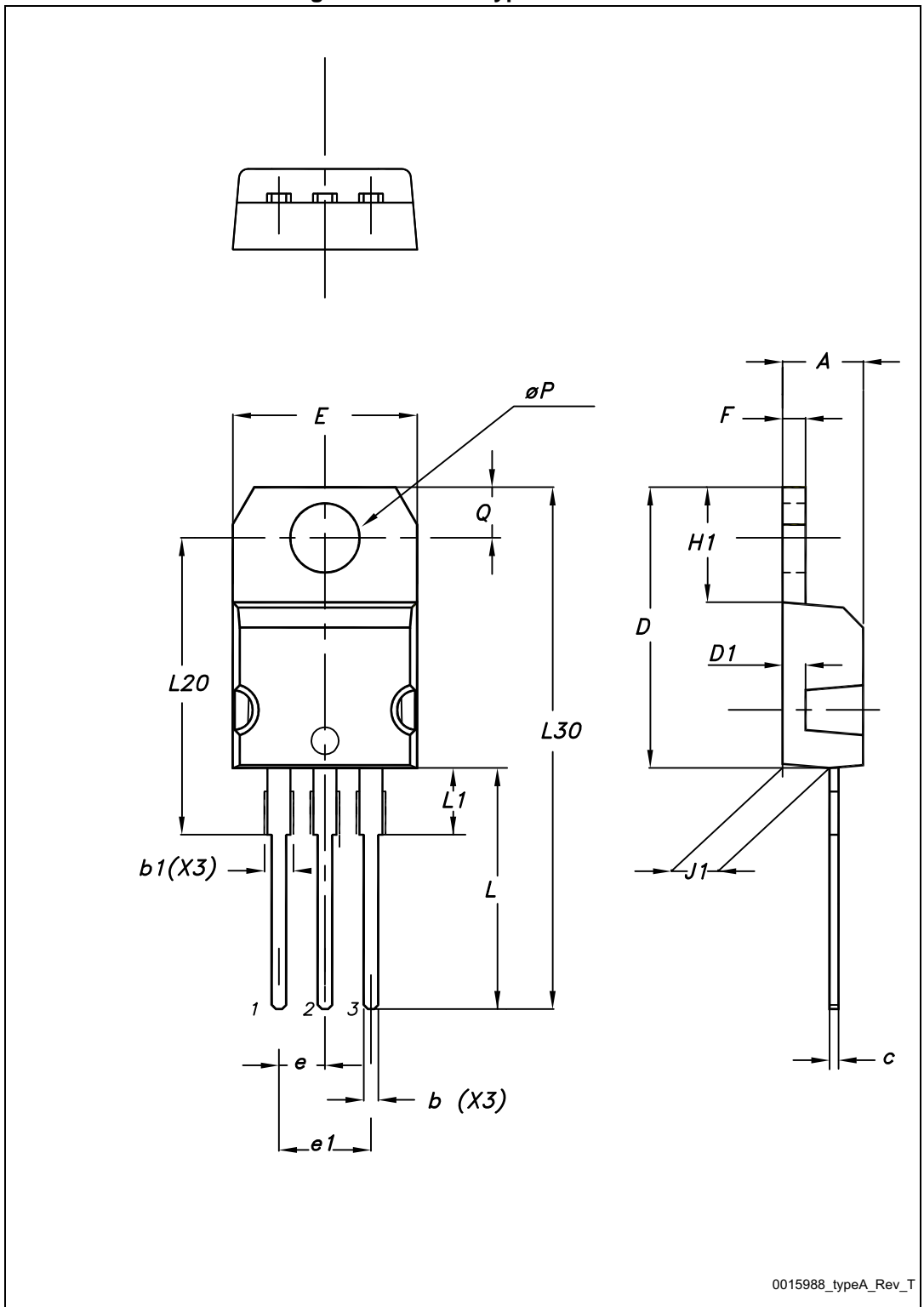


## 4 Package information

In order to meet environmental requirements, ST offers these devices in different grades of ECOPACK<sup>®</sup> packages, depending on their level of environmental compliance. ECOPACK<sup>®</sup> specifications, grade definitions and product status are available at: [www.st.com](http://www.st.com). ECOPACK<sup>®</sup> is an ST trademark.

### 4.1 TO-220 package information

Figure 19. TO-220 type A outline



0015988\_typeA\_Rev\_T

Table 8. TO-220 type A mechanical data

Dim.	mm		
	Min.	Typ.	Max.
A	4.40		4.60
b	0.61		0.88
b1	1.14		1.70
c	0.48		0.70
D	15.25		15.75
D1		1.27	
E	10		10.40
e	2.40		2.70
e1	4.95		5.15
F	1.23		1.32
H1	6.20		6.60
J1	2.40		2.72
L	13		14
L1	3.50		3.93
L20		16.40	
L30		28.90	
øP	3.75		3.85
Q	2.65		2.95

## 5 Revision history

**Table 9. Document revision history**

Date	Revision	Changes
26-Sep-2014	1	First release.
05-Dec-2014	2	Updated in cover page the title and features. Product status promoted from preliminary to production data. Updated $E_{AS}$ parameter in <a href="#">Table 2</a> and $R_{DS(on)}$ in <a href="#">Table 4</a> . Updated <a href="#">Table 5</a> , <a href="#">Table 6</a> and <a href="#">Table 7</a> . Inserted <a href="#">Section 2.1</a> .

**IMPORTANT NOTICE – PLEASE READ CAREFULLY**

STMicroelectronics NV and its subsidiaries (“ST”) reserve the right to make changes, corrections, enhancements, modifications, and improvements to ST products and/or to this document at any time without notice. Purchasers should obtain the latest relevant information on ST products before placing orders. ST products are sold pursuant to ST’s terms and conditions of sale in place at the time of order acknowledgement.

Purchasers are solely responsible for the choice, selection, and use of ST products and ST assumes no liability for application assistance or the design of Purchasers’ products.

No license, express or implied, to any intellectual property right is granted by ST herein.

Resale of ST products with provisions different from the information set forth herein shall void any warranty granted by ST for such product.

ST and the ST logo are trademarks of ST. All other product or service names are the property of their respective owners.

Information in this document supersedes and replaces information previously supplied in any prior versions of this document.

© 2014 STMicroelectronics – All rights reserved