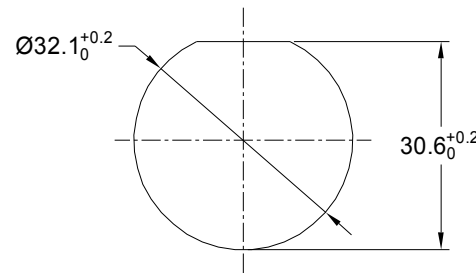
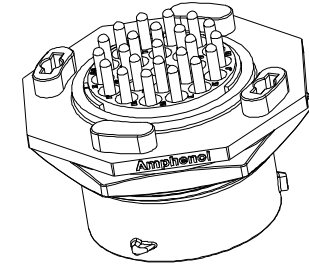
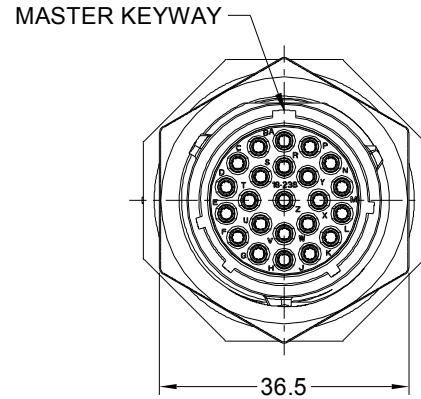
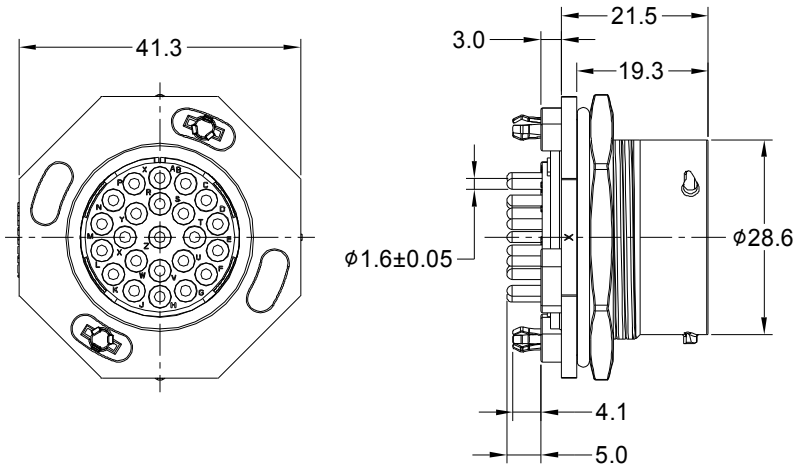
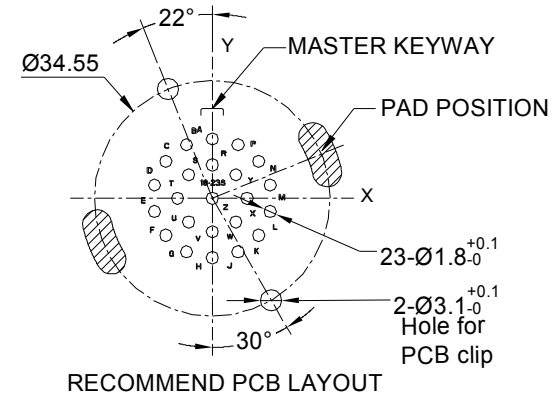


REVISIONS					
REV	ECO	DESCRIPTION	DATE	BY	APPR
A1	-	RELEASED DRAWING	Jul-25-2019	Ronald	Tommy
A2	-	UPDATE DESCRIPTION	SEP-23-2021	BLINK	TOMMY



RECOMMEND MOUNTING HOLE



RECOMMEND PCB LAYOUT

Position number	X	Y
A	0.000	8.700
B	-3.775	7.838
C	-6.802	5.424
D	-8.482	1.936
E	-8.482	-1.936
F	-6.802	-5.424
G	-3.775	-7.838
H	0.000	-8.700
J	3.775	-7.838
K	6.802	-5.424
L	8.482	-1.936
M	8.482	1.936
N	6.802	5.424
P	3.775	7.838
R	0.000	4.900
S	-3.465	3.465
T	-5.100	0.000
U	-3.465	-3.465
V	0.000	-4.900
W	3.465	-3.465
X	5.100	0.000
Y	3.465	3.465
Z	0.000	0.000

NOTES : (UNLESS OTHERWISE SPECIFIED)

- MATERIAL :  
SHELL : THERMOPLASTIC , UL94 V-0.  
INSERT : THERMOPLASTIC , UL94 V-0.  
O-RING : NBR/SILICONE RUBBER.  
SEAL GASKET : NBR/SILICONE RUBBER.  
JAM NUT : ALUMINIUM ALLOY , BLACK ANODIZING.  
CONTACT : COPPER ALLOY.
- SPECIFICATIONS :  
2.1 RATED CURRENT : 13A MAX.  
2.2 RATED VOLTAGE : 500V(AC/DC).  
2.3 OPERATING TEMPERATURE : -40°C ~ 125°C.  
2.4 DIELECTRIC WITHSTANDING VOLTAGE : LESS THAN 2 MILLIAMPS CURRENT LEAKAGE@2000 VOLTS AC.  
2.5 INSULATION RESISTANCE : 5000 MEGOHMS MIN.  
2.6 IP--CLASS : IP67 AND IP69K IN THE MATED CONDITION, PANEL EXTERNAL.  
2.7 MATING CYCLES DURABILITY : 500 CYCLES MIN.  
2.8 RoHS COMPLIANT.
- SUITABLE CONTACTS : 16# CONTACT.
- ALL DIMENSIONS ARE FOR REFERENCE USE ONLY.

KEY	PART NUMBER
N	RTS718ND23S0332
W	RTS718WD23S0332
X	RTS718XD23S0332
Y	RTS718YD23S0332
Z	RTS718ZD23S0332

QUANTITY	PART NUMBER	DESCRIPTION	ITEM								
<b>MATERIALS LIST</b>											
<b>UNLESS OTHERWISE SPECIFIED</b> 1) All dimensions are in metric(mm). 2) Tolerances are as follows: 1 PL DEC ±0.30 Fractions ±1/64 2 PL DEC ±0.15 Angles ±1° 3 PL DEC ±0.08 3) Note reference =		<b>SIGNATURES</b> <b>DATE</b> DRAWN: <b>Ronald</b> <b>Jul-23-2019</b> CHECKED: <b>Martin</b> <b>Jul-29-2019</b> ENGINEER: APPROVAL: <b>Tommy</b> <b>Jul-29-2019</b> CUSTOMER:									
MATERIAL SPECIFICATIONS: PROCESS SPECIFICATIONS: NEXT ASSY:		<div style="text-align: center;">             Sine Systems - www.amphenol-sine.com            44724 Morley Drive            Clinton Township, MI 48036         </div> <div style="text-align: center;">           EcoMate Aquarius, RECEPTACLE, JAM NUT,            23 POS, SOCKET ,DIPSOLDER, SIZE 18.         </div> <div style="text-align: center;"> <table border="1"> <tr> <td>SIZE</td> <td>TYPE</td> <td>DWG NO.</td> <td>REVISION</td> </tr> <tr> <td><b>B</b></td> <td><b>C-</b></td> <td><b>RTS718*D23S0332</b></td> <td><b>A2</b></td> </tr> </table> </div>		SIZE	TYPE	DWG NO.	REVISION	<b>B</b>	<b>C-</b>	<b>RTS718*D23S0332</b>	<b>A2</b>
SIZE	TYPE	DWG NO.	REVISION								
<b>B</b>	<b>C-</b>	<b>RTS718*D23S0332</b>	<b>A2</b>								
SCALE: NONE		SHEET 1 OF 1									

TITLE: EcoMate Aquarius, RECEPTACLE, JAM NUT, 23 POS, SOCKET ,DIPSOLDER, SIZE 18. DWG NO.: RTS718D23S0332 REV: A2 SH: 1 OF: 1