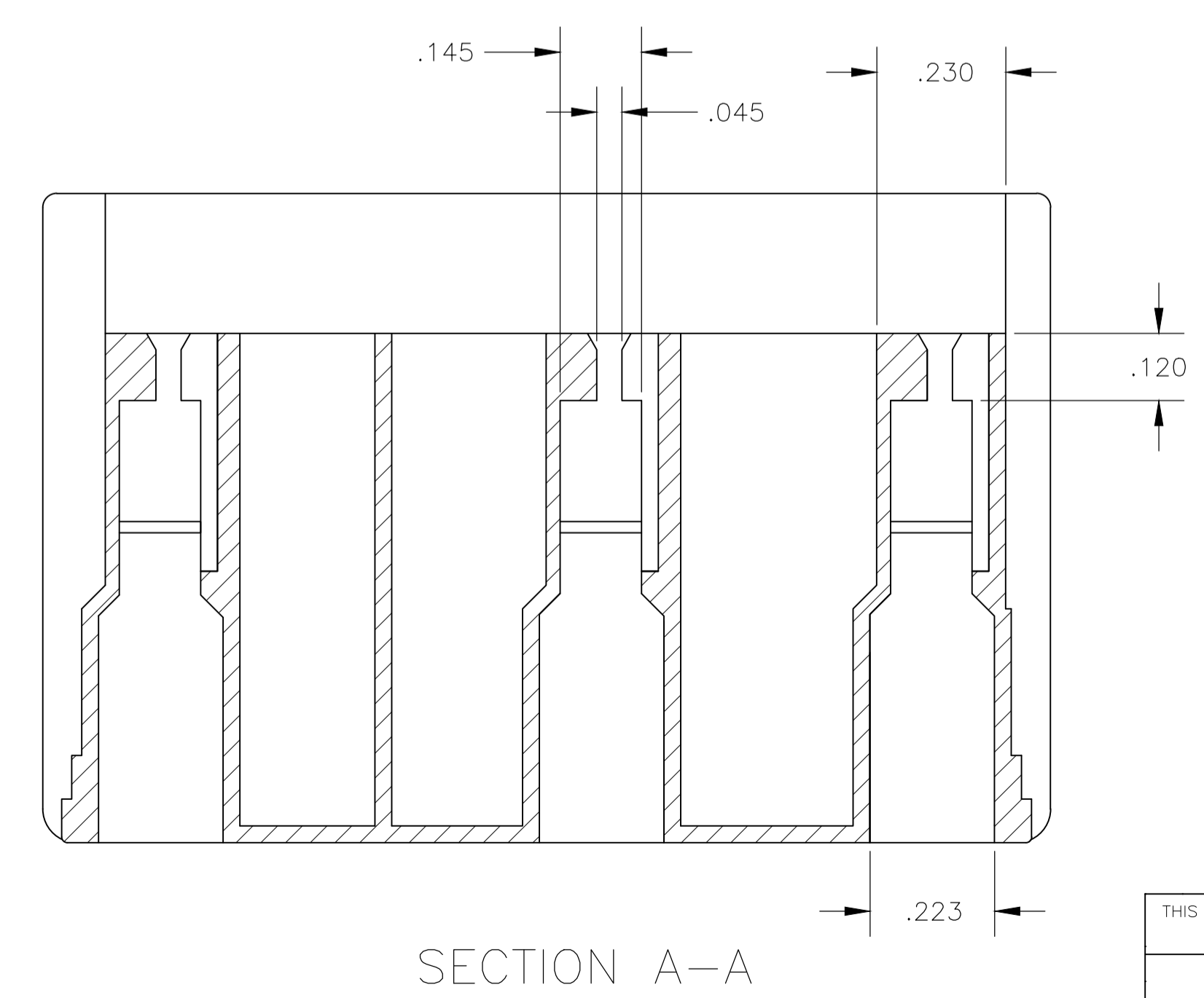
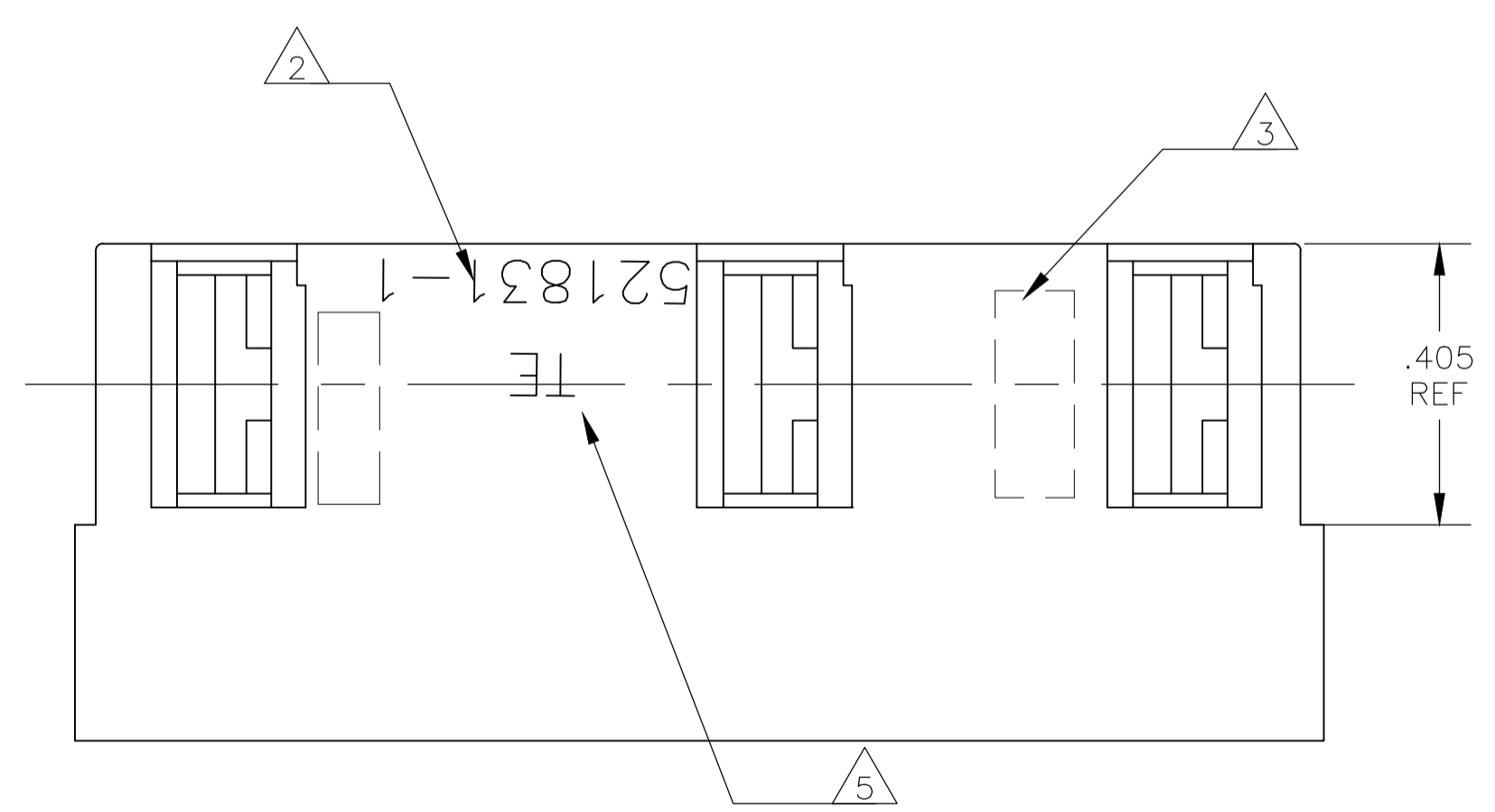
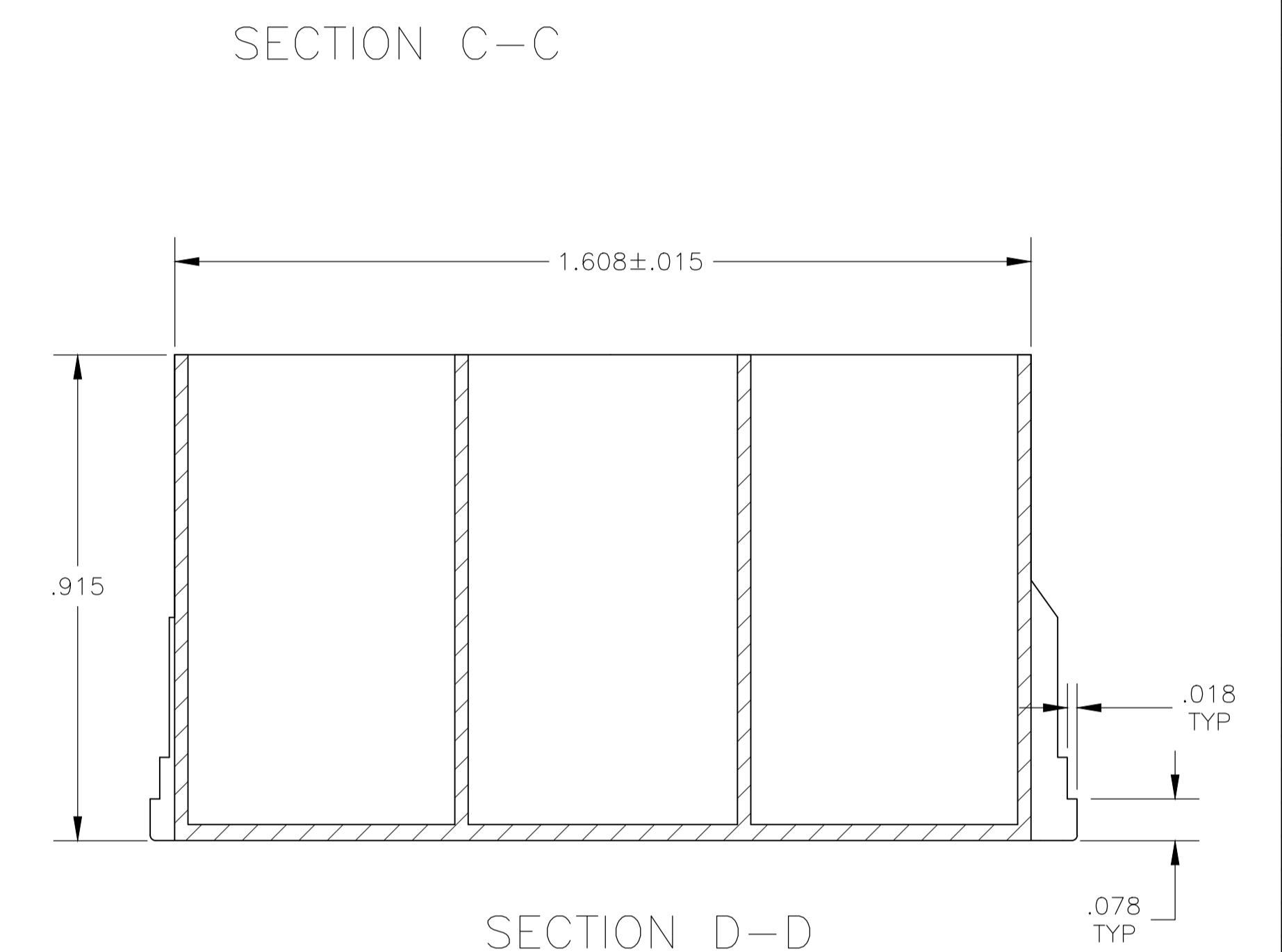
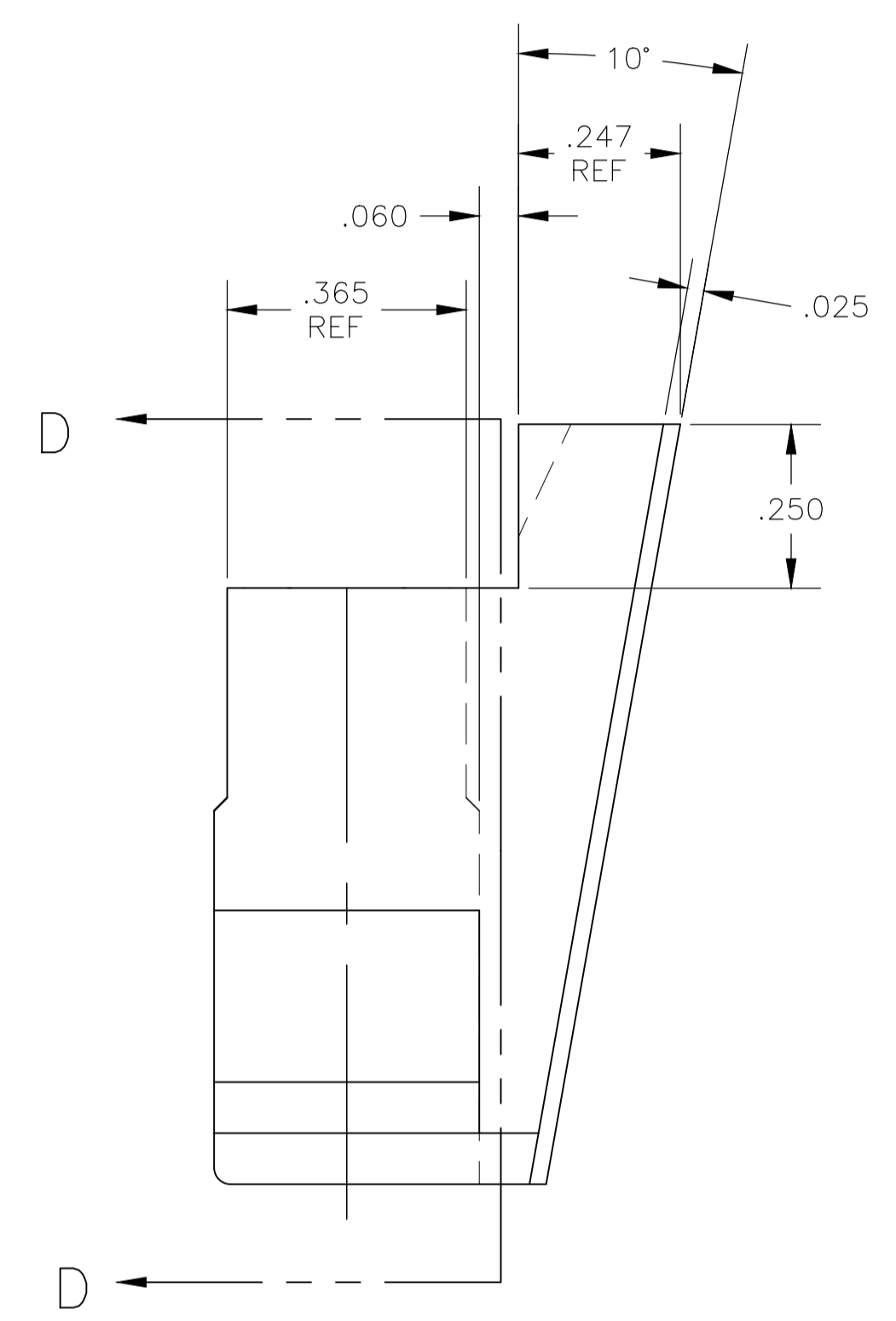
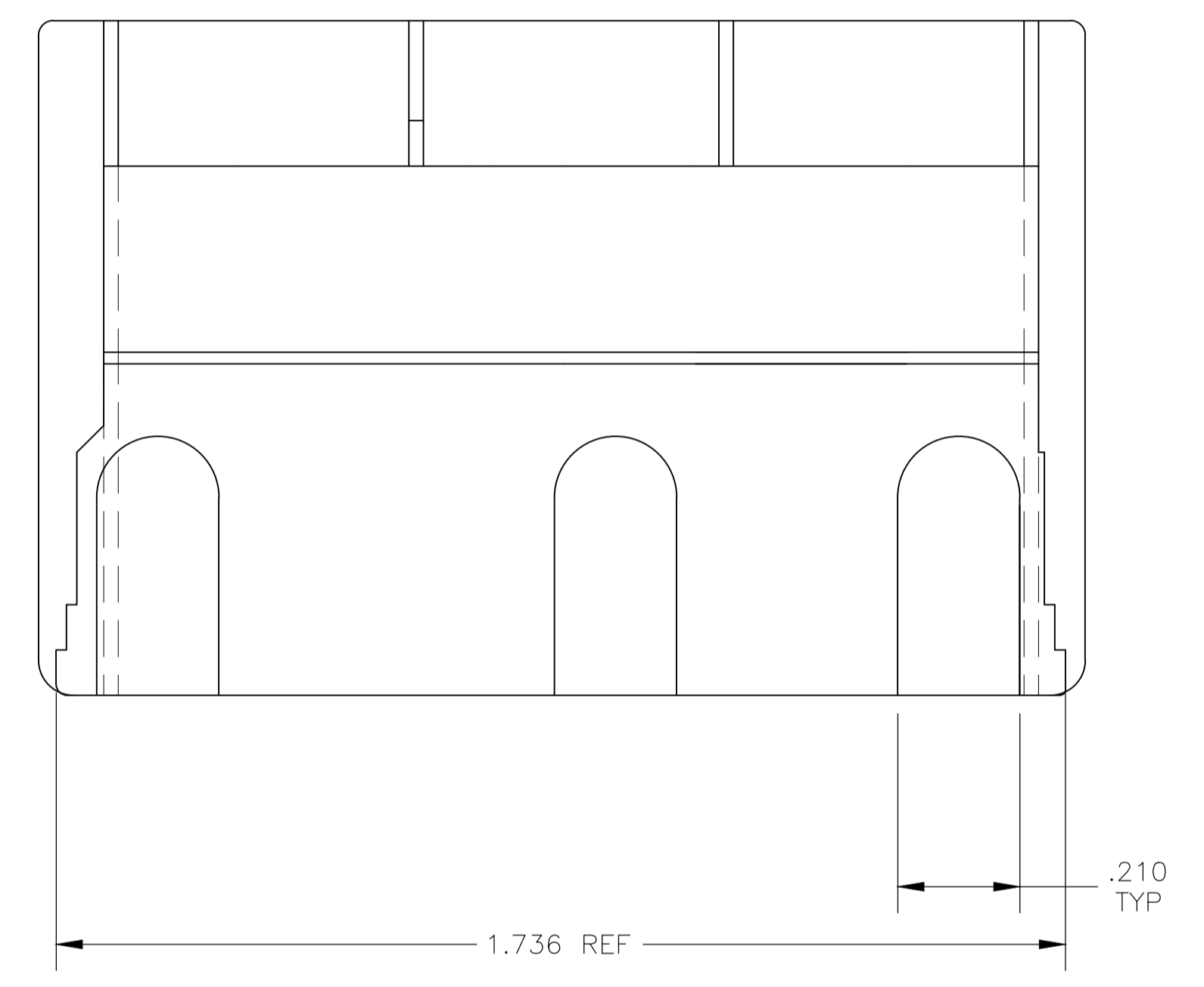
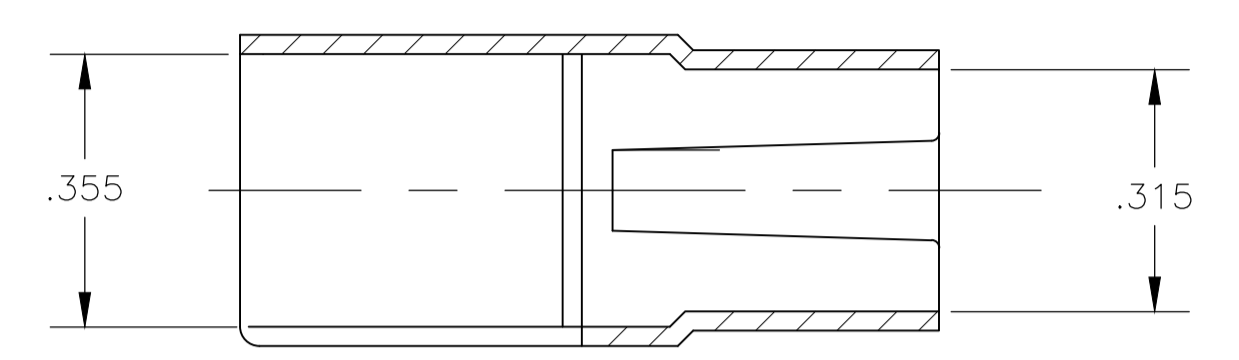
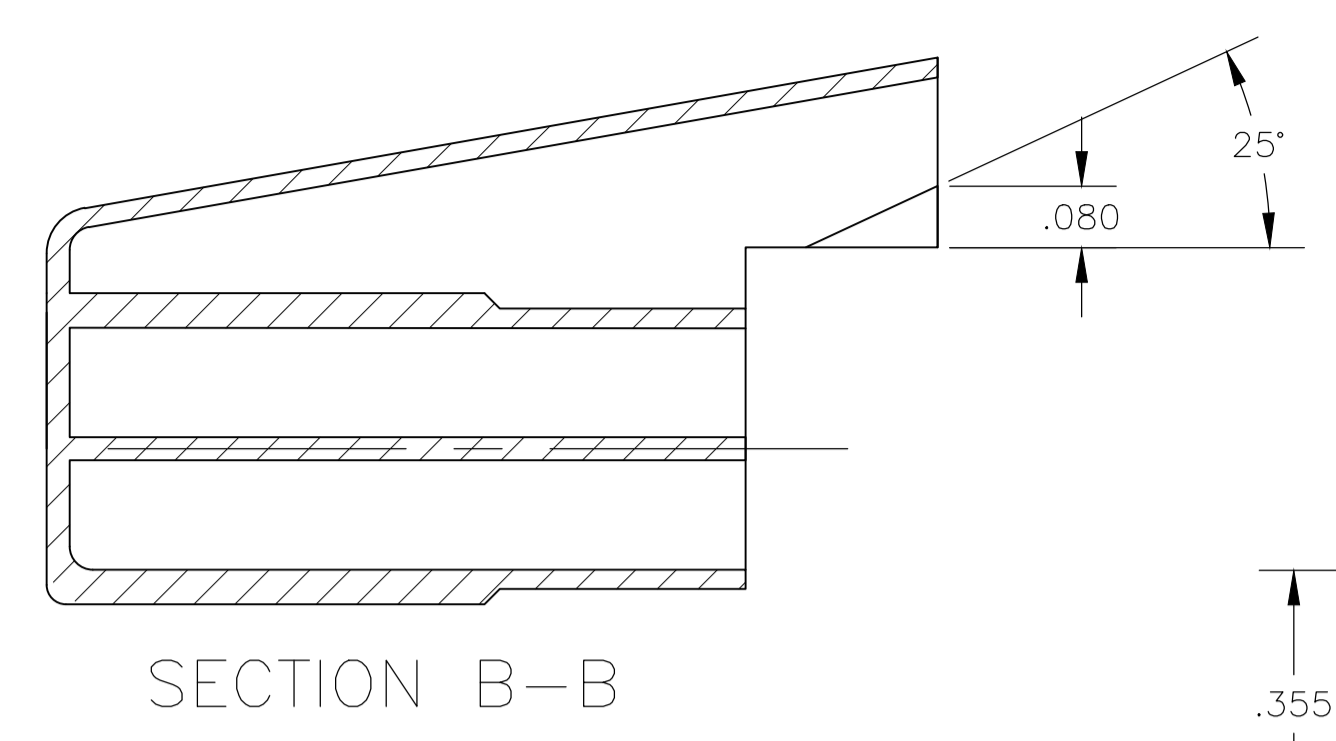
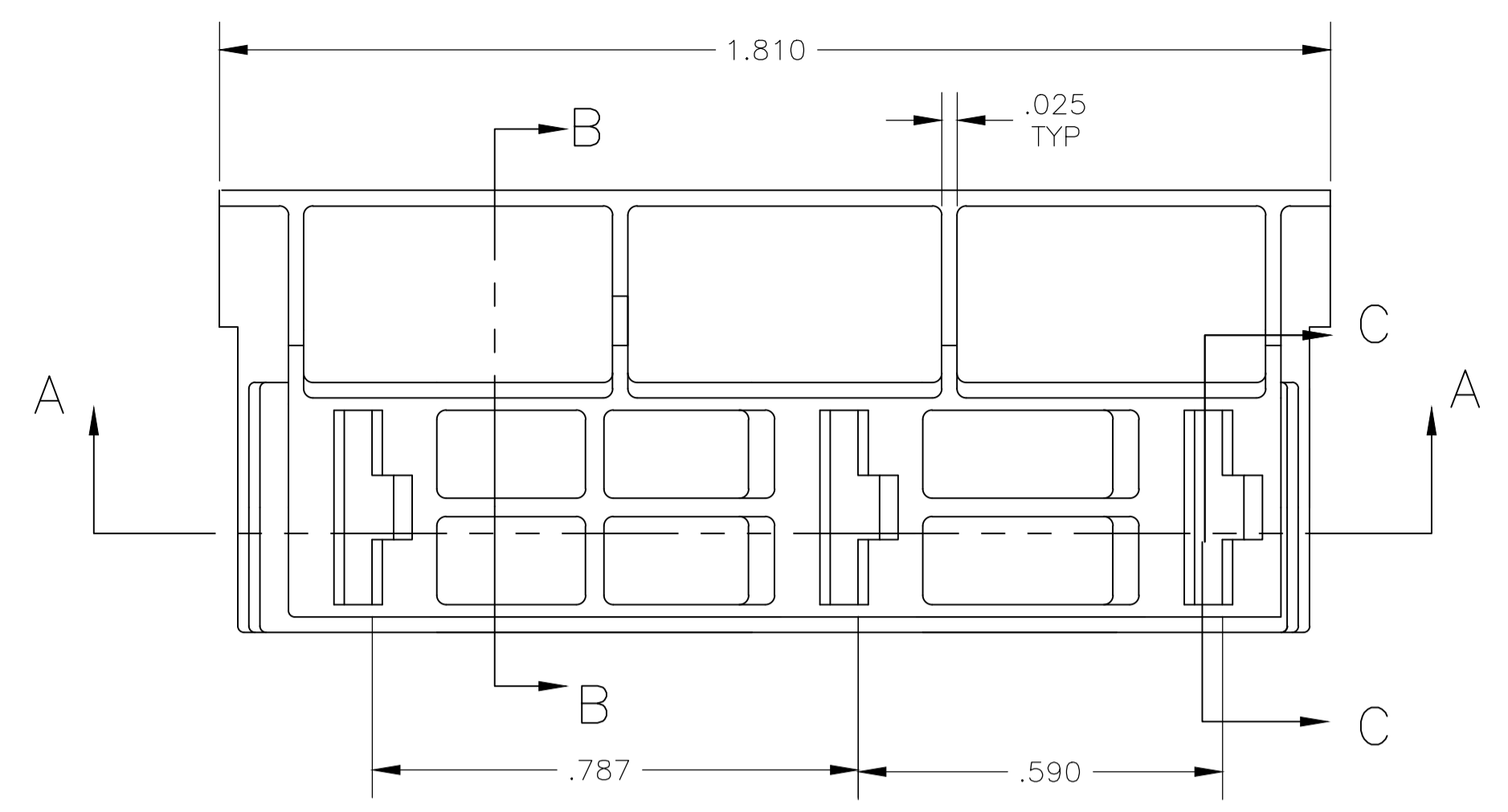


REVISIONS				
P	LTR	DESCRIPTION	DATE	APPD
D2		REVISED PER ECR-20-005966	15OCT2020	SS EW



- 1 ALL 3 INTERNAL CAVITY ARE IDENTICAL.
- 2 TE LOGO, SIZE AND LOCATION APPROX AS SHOWN
- 3 DFE SYMBOL >PA66/6<, LOCATED APPROX AS SHOWN.
- 4 PART TO BE USED WITH TERMINAL 1742291-1
- 5 TE P/N, LOCATED APPROX AS SHOWN

OBSOLETE

OBSELETE	521831-1
	PART NO

THIS DRAWING IS A CONTROLLED DOCUMENT.		BIN: jr_ruth 28JUN05		APVD: K RANDOLPH 28JUN05		NAME: HOUSING, RECEPTACLE, FASTIN-FASTON, .250 SERIES, 3 POSITION	
DIMENSIONS: INCHES		TOLERANCES UNLESS OTHERWISE SPECIFIED:		APVD: K RANDOLPH 28JUN05		APPLICATION SPEC: -	
0 PLC ± -		1 PLC ± -		2 PLC ± -		3 PLC ± .010	
4 PLC ± -		ANGLES ± 1°		MATERIAL: 66/6 NYLON, VD		FINISH: COLOR - WHITE	
WEIGHT: -		SIZE: A1		CAGE CODE: 00779		DRAWING NO: 521831	
CUSTOMER DRAWING		SCALE: 1:1		SHEET: 1 OF 1		REV: D2	