

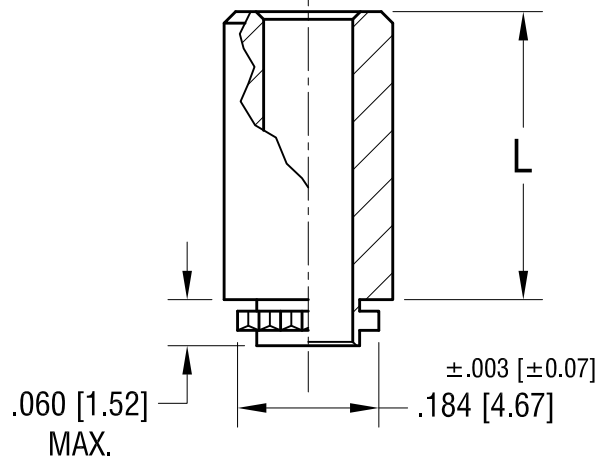
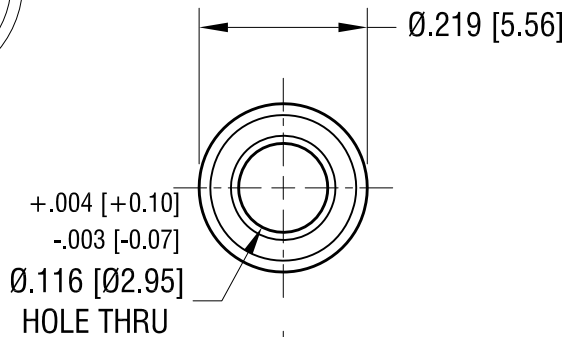
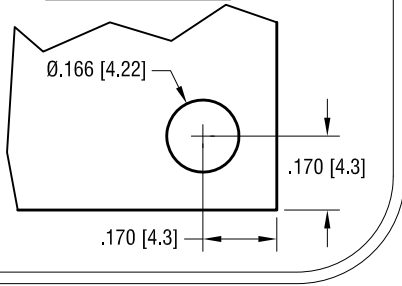
THIS DOCUMENT IS THE PROPERTY OF
KEYSTONE ELECTRONICS CORP. AND
SHALL NOT BE REPRODUCED, DISTRIBUTED
OR USED AS A BASIS FOR MANUFACTURE
WITHOUT PRIOR WRITTEN PERMISSION
FROM KEYSTONE ELECTRONICS CORP.

ACTUAL SIZE



P/N 4852

MTG HOLE DETAIL



PART NO.	'L' DIM.
4850	.065 [1.65]
4851	.125 [3.18]
4852	.250 [6.35]
4853	.375 [9.53]
4854	.500 [12.70]

DATE	DESCRIPTION	REV.
12.19.05	CHANGE AS PER ECN 05-083	B
11.12.02	CHANGE AS PER ECN 02-075	A

KEYSTONE ELECTRONICS CORP.
www.keyelco.com • NEW HYDE PARK, NY 11040 • Tel (516) 328-7500

PART NAME
FORCE-FIT STANDOFF, CLEAR HOLE

MATERIAL
STAINLESS STEEL

FINISH NONE	DRN BY BOONE	DATE 4.22.96
	APP'D RH	SCALE 3X

TOLERANCES INCH [MM]
DECIMAL $\pm .005$ [± 0.13]
ANGULAR $\pm 1^\circ$
UNLESS OTHERWISE SPECIFIED

CODE
C

DWG NO.
4850-4854