

NOTES:

1. MATERIALS AND FINISHES (IN MICRO-INCHES):

- BODY = ZINC DIECAST PER ASTM-B86, GOLD PL. 3 MIN. THICK OVER NICKEL PL. 100 MIN. THICK OVER COPPER PL. 300 MIN. THICK
- CONTACT = BRASS PER ASTM B16, GOLD PL. 30 MIN. THICK OVER NICKEL PL. 100 MIN. THICK OVER COPPER STRIKE
- INSULATOR = PTFE PER ASTM D1710, COLOR: NATURAL.
- FAKRA HOUSING = NYLON 46, 30% GLASS FILLED, COLOR & KEYING PER DIN 72594-1 (SEE TABLE FOR KEY CODES & COLORS)

2. ELECTRICAL:

- A. IMPEDANCE: 50 OHM NOMINAL
- B. FREQUENCY RANGE: DC- 6 GHz (OPTIMIZED FOR DC-4 GHz)
- C. VSWR(RETURN LOSS): 1.4(-15.6 dB), MAX.(DC-2 GHz)  
(MATED PAIR) 1.5(-13.9 dB), MAX.( 2-3 GHz)
- D. D.W.V.: 800 VRMS, MIN.

3. MECHANICAL:

- A. DURABILITY: 100 CYCLES MIN.
- B. TEMPERATURE RANGE: -40° C TO 100° C
- C. HOUSING RETENTION: 110N MIN. AXIAL

4. PACKAGING:

- A. TYPE: TAPE & REEL
- B. QUANTITY: 500/REEL
- C. PACKAGING MARKING: AMPHENOL RF  
2FA1-WXSP-PCBA3  
DATE CODE

5.  CENTER OF GRAVITY

6. INTERFACE DIMENSIONS MEET DIN 72594-1 AND USCAR-18.

**CONFIGURATION CONTROL:**  
NO CHANGES PERMITTED TO DRAWING WITHOUT  
PPAP QUALIFIED CUSTOMER APPROVAL

| CODING | PART NUMBER & DRAWING NUMBER | COLOR          | RAL NO. |
|--------|------------------------------|----------------|---------|
| A      | 2FA1-WASP-PCBA3              | JET BLACK      | 9005    |
| B      | 2FA1-WBSP-PCBA3              | CREAM          | 9001    |
| C      | 2FA1-WCSP-PCBA3              | SIGNAL BLUE    | 5005    |
| D      | 2FA1-WDSP-PCBA3              | CLARET VIOLET  | 4004    |
| E      | 2FA1-WESP-PCBA3              | LEAF GREEN     | 6002    |
| F      | 2FA1-WFSP-PCBA3              | NUT BROWN      | 8011    |
| G      | 2FA1-WGSP-PCBA3              | BLUE GREY      | 7031    |
| H      | 2FA1-WHSP-PCBA3              | HEATHER VIOLET | 4003    |
| I      | 2FA1-WISP-PCBA3              | BEIGE          | 1001    |
| K      | 2FA1-WKSP-PCBA3              | CURRY          | 1027    |
| L      | 2FA1-WLSP-PCBA3              | CARMINE RED    | 3002    |
| M      | 2FA1-WMSP-PCBA3              | PASTEL ORANGE  | 2003    |
| N      | 2FA1-WNSP-PCBA3              | PASTEL GREEN   | 6019    |
| Z      | 2FA1-WZSP-PCBA3              | WATER BLUE     | 5021    |

UNLESS OTHERWISE SPECIFIED, DIMENSIONS ARE IN METRIC AND TOLERANCES ARE:  
 0.5 - 6mm ±0.1mm    6 - 30mm ±0.2mm    30 - 120mm ±0.3mm    ANGLES ±1°

NOTICE - These drawings, specifications, or other data (1) are, and remain the property of Amphenol corp. (2) must be returned upon request; and (3) are confidential and not to be disclosed to any person other than those to whom they are given by Amphenol Corp. the furnishing of these drawings, specifications, or other data by Amphenol Corp., or to any other person to anyone for any purpose is not to be regarded by implication or otherwise in any manner licensing, granting rights to permitting such holder or any other person to manufacture, use or sell any product, process or design, patented or otherwise, that may in any way be related to or disclosed by said drawings, specifications, or other data.

|   |                                      |                   |
|---|--------------------------------------|-------------------|
| MATERIAL<br>SEE NOTES                       | DRAWN<br>SHANMUGA                    | DATE<br>06-Feb-09 |
| REFERENCE<br>EAR #3364 AND 2FA1-WXSP-PCB-12 | ENGINEER<br>B.C. GLEISSNER           | DATE<br>06-Feb-09 |
| CONFIGURATION LEVEL: Prototype              | APPROVED<br>K. CAPOZZI               | DATE<br>7/9/09    |
| FINISH                                      | CAD FILE<br>I:\FAKRA\2FA1-WXSP-PCBA3 |                   |

|                                     |                  |              |
|-------------------------------------|------------------|--------------|
| TITLE<br>FAKRA PLUG,<br>PIN & PASTE | SCALE: 5.0:1.0   | SHEET 2 OF 2 |
| DWG SIZE<br>B                       | CODE ID<br>74868 | REV<br>A     |

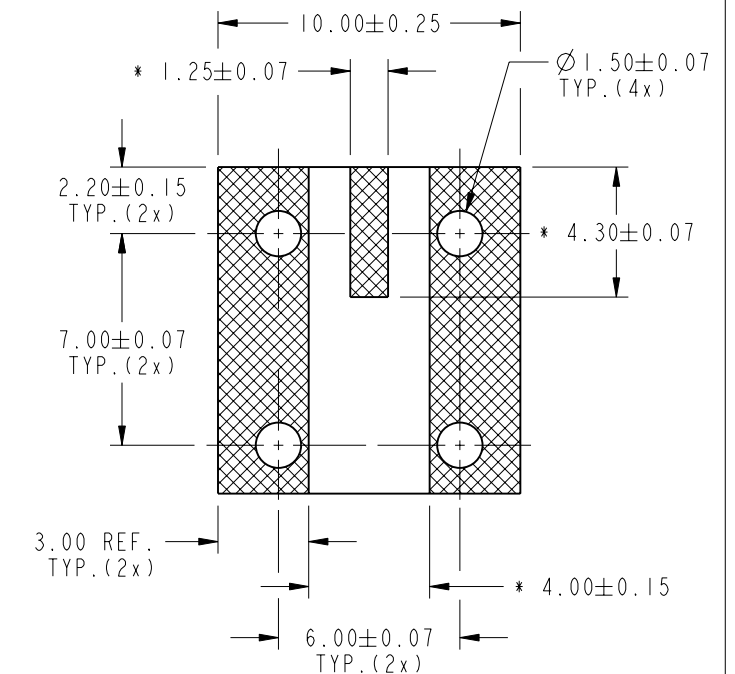
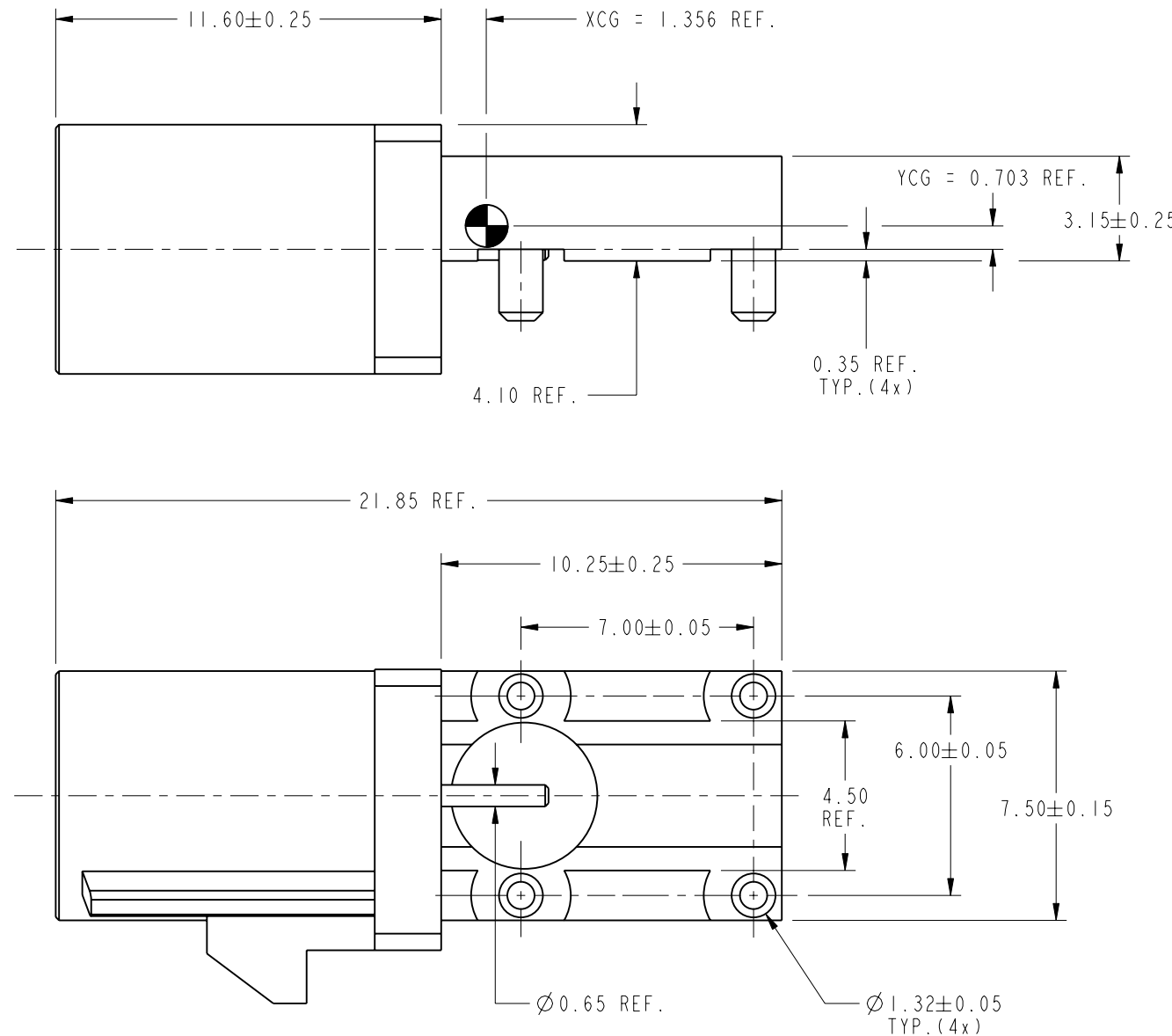
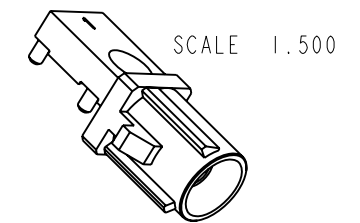
|                             |  |  |
|-----------------------------|--|--|
| DRAWING NO. 2FA1-WXSP-PCBA3 |  |  |
| ITEM NO. 2FA1-WXSP-PCBA3    |  |  |
| PART NO. 2FA1-WXSP-PCBA3    |  |  |

|   |  |
|---|--|
| <b>Amphenol RF</b><br>Danbury CT USA, Tainan, Taiwan, Shenzhen, China<br>www.amphenolrf.com |  |
|---|--|

THIRD ANGLE PROJ. 

REVISIONS

| REV | DESCRIPTION     | DATE      | ECO   | APPR |
|-----|-----------------|-----------|-------|------|
| A   | RELEASE TO MFG. | 02-Apr-10 | 47676 | SH   |



**RECOMMENDED PCB LAYOUT**  
\* ADJUSTABLE FOR RF PERFORMANCE

**CUSTOMER OUTLINE DRAWING**  
ALL OTHER SHEETS ARE FOR INTERNAL USE ONLY