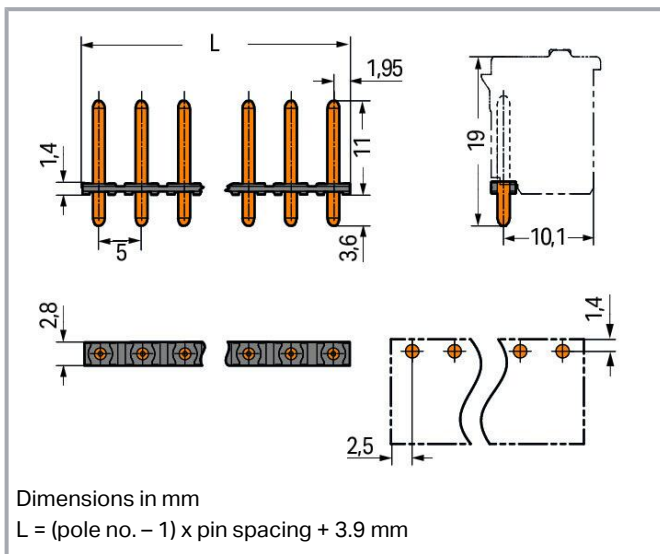
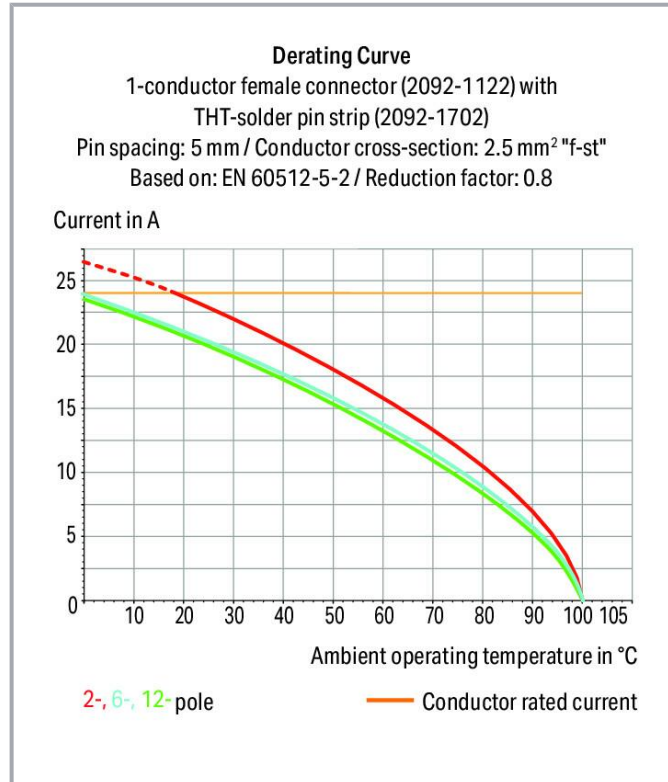


Data sheet | Item number: 2092-1710

THT male header; 1.4 mm Ø solder pin; straight; Pin spacing 5 mm; 10-pole; black



[www.wago.com/2092-1710](http://www.wago.com/2092-1710)



Subject to changes. Please also observe the further product documentation!

WAGO GmbH & Co. KG  
Hansastr. 27  
32423 Minden  
Phone: +49571 887-0 | Fax: +49571 887-169  
Email: [info.de@wago.com](mailto:info.de@wago.com) | Web: [www.wago.com](http://www.wago.com)

Do you have any questions about our products?  
We are always happy to take your call at +49 (571) 887-44222.



## Item description

- Solder pin strips may be mounted horizontally or vertically via straight or angled solder pins
- Assembly of female connectors without loss of poles, allowing different functions to be divided within one solder pin strip

## Data

### Notes

#### Safety information

The **picoMAX® Pluggable Connection System** includes connectors without breaking capacity in accordance with DIN EN 61984. When used as intended, these connectors must not be connected /disconnected when live or under load. The circuit design should ensure header pins, which can be touched, are not live when unmated.

## Electrical data

### Ratings per IEC/EN

| Ratings per                   | IEC/EN 60664-1  |
|-------------------------------|---|
| Nominal voltage (III/3)       | 250 V   |
| Rated impulse voltage (III/3) | 4 kV  |
| Rated voltage (III/2)         | 320 V   |
| Rated impulse voltage (III/2) | 4 kV  |
| Nominal voltage (II/2)        | 630 V   |
| Rated surge voltage (II/2)    | 4 kV  |
| Rated current                 | 16 A  |
| Legend (ratings)              | (III / 2) ≙ Overvoltage category III / Pollution degree 2 |

### Connection data

|                            |   |
|----------------------------|---|
| Number of connection types | 1 |
| Number of levels           | 1 |

### Connection 1

|             |    |
|-------------|----|
| Pole number | 10 |
|-------------|----|

### Physical data

|             |                        |
|-------------|------------------------|
| Pin spacing | 5 mm / 0.197 inches    |
| Width       | 52.9 mm / 2.083 inches |

Subject to changes. Please also observe the further product documentation!

WAGO GmbH & Co. KG

Hansastr. 27

32423 Minden

Phone: +49571 887-0 | Fax: +49571 887-169

Email: [info.de@wago.com](mailto:info.de@wago.com) | Web: [www.wago.com](http://www.wago.com)

Do you have any questions about our products?

We are always happy to take your call at +49 (571) 887-44222.



|                                      |                          |
|--------------------------------------|--------------------------|
| Height                               | 14.6 mm / 0.575 inches   |
| Height from the surface              | 11 mm / 0.433 inches     |
| Depth                                | 2.8 mm / 0.110 inches    |
| Solder pin length                    | 3.6 mm                   |
| Solder pin diameter                  | 1.4 mm                   |
| Drilled hole diameter with tolerance | 1.6 <sup>(+0.1)</sup> mm |

### Mechanical Data

|                          |     |
|--------------------------|-----|
| Variable coding          | No  |
| Anti-rotation protection | Yes |

### Plug-in connection

|                                      |                     |
|--------------------------------------|---------------------|
| Contact type (pluggable connector)   | Male connector/plug |
| Connector (connection type)          | for PCB             |
| Mismating protection                 | No                  |
| Plugging without loss of pin spacing | Yes                 |
| Mating direction to the PCB          | 90 °                |
| Locking of plug-in connection        | none                |

### PCB contact

|             |     |
|-------------|-----|
| PCB contact | THT |
|-------------|-----|

### Material Data

|                             |  |
|-----------------------------|--|
| Note (material data)        | Information on material specifications can be found here |
| Color                       | black  |
| Material group              | I  |
| Insulation material         | Polyphthalamide (PPA GF)                                 |
| Flammability class per UL94 | V0   |
| Contact material            | Electrolytic copper (E <sub>Cu</sub> )                   |
| Contact plating             | Tin  |
| Weight                      | 2.1 g  |

### Environmental requirements

|                         |                 |
|-------------------------|-----------------|
| Limit temperature range | -60 ... +100 °C |
|-------------------------|-----------------|

Subject to changes. Please also observe the further product documentation!

## Commercial data




|                       |               |
|-----------------------|---------------|
| ETIM 8.0              | EC002637      |
| ETIM 7.0              | EC002637      |
| PU (SPU)              | 300 pcs       |
| Packaging type        | bag           |
| Country of origin     | CN            |
| GTIN                  | 4055143935388 |
| Customs tariff number | 85369010000   |

## Environmental Product Compliance

|                        |                         |
|------------------------|-------------------------|
| RoHS Compliance Status | Compliant, No Exemption |
|------------------------|-------------------------|

## Approvals / Certificates

### General approvals

| Logo   | Approval                              | Additional Approval Text | Certificate name       |
|--|---------------------------------------|--------------------------|------------------------|
|   | CSA<br>DEKRA Certification B.V.       | C22.2                    | 2362521                |
|  | KEMA/KEUR<br>DEKRA Certification B.V. | EN 61984                 | 71-<br>102261<br>REV.2 |
|  | UL<br>Underwriters Laboratories Inc.  | UL 1977                  | E45171                 |

## Counterpart



### Item no.2092-1130

1-conductor female connector; push-button; Push-in CAGE CLAMP®; 2.5 mm<sup>2</sup>; Pin spacing 5 mm; 10-pole; 2,50 mm<sup>2</sup>; light gray

[www.wago.com/2092-1130](http://www.wago.com/2092-1130)

Subject to changes. Please also observe the further product documentation!

WAGO GmbH & Co. KG  
Hansastr. 27  
32423 Minden  
Phone: +49571 887-0 | Fax: +49571 887-169  
Email: [info.de@wago.com](mailto:info.de@wago.com) | Web: [www.wago.com](http://www.wago.com)

Do you have any questions about our products?  
We are always happy to take your call at +49 (571) 887-44222.



## Downloads

### Documentation

#### Additional Information

|                        |            |        |          |
|------------------------|------------|--------|----------|
| Technical Section      | 2019 Apr 3 | pdf    | Download |
| Technical explanations |            | 2.0 MB |          |

---

## Environmental Product Compliance

### Compliance Search

|  |     |          |
|--|-----|----------|
| Environmental Product Compliance 2092-1710                                       | URL | Download |
| THT male header; 1.4 mm Ø solder pin; straight; Pin spacing 5 mm; 10-pole; black |     |          |

---

## Installation Notes

Subject to changes. Please also observe the further product documentation!