

TABLE 1

| 番号 No. | 部品 PART | 材質 MATERIAL | |
|-----------|-------------------|---|--|
| ① | ハウジング HOUSING | ナイロン, UL94-V0, 色 : ベージュ NYLON (PA), UL94-V0, COLOR : BEIGE | |
| ② | ターミナル TERMINAL | 材料 MATERIAL | 黄銅 BRASS |
| | | 下地めっき UNDER PLATING | ニッケルめっき 1.27マイクロメートル以上 NICKEL PLATING 1.27micro-meter MIN |
| | | 接点部、テール CONTACT AND TAIL | 金めっき 0.1マイクロメートル以上 GOLD PLATING 0.1 micro-meter MIN |

注記

NOTE

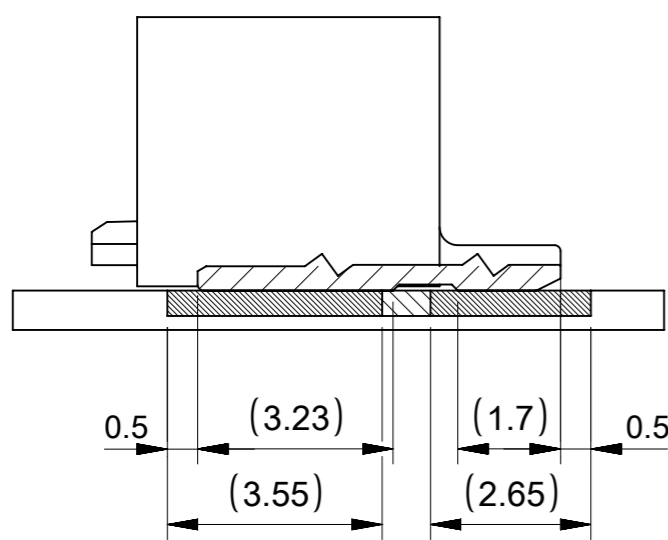
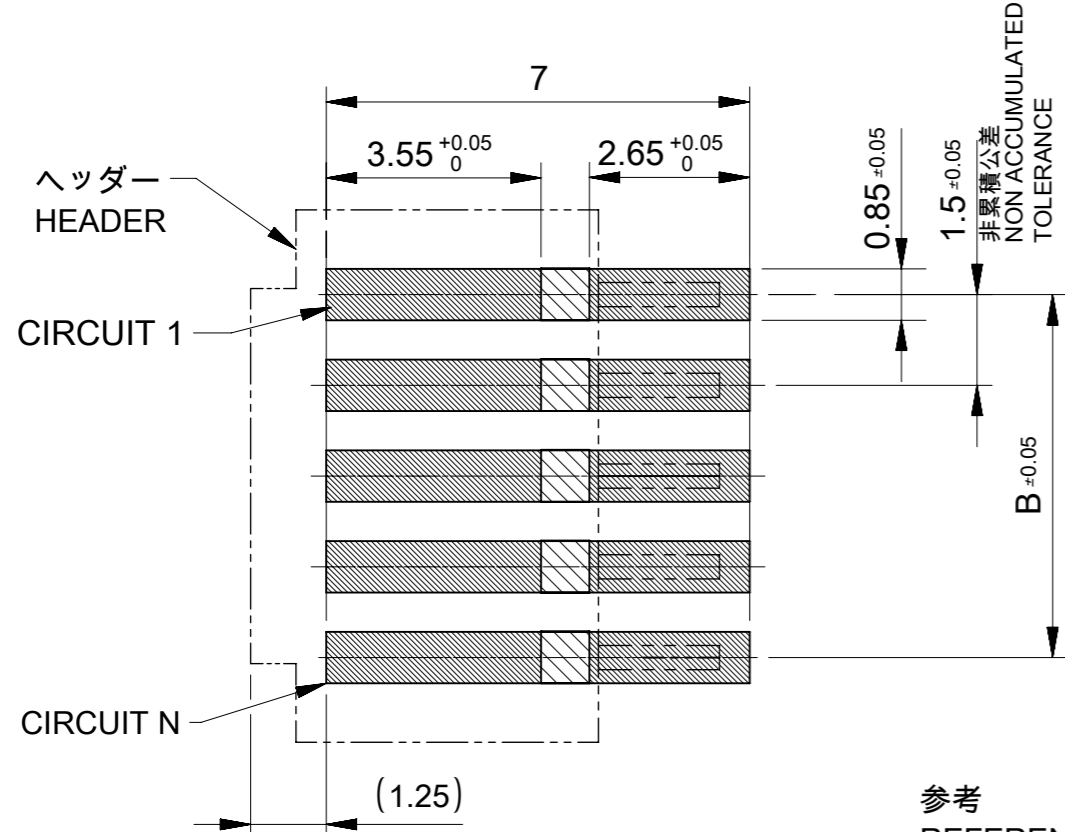
- △. 材質および仕上げ(めっき仕様) : TABLE 1 参照
MATERIAL AND FINISH: SEE TABLE 1
- 製品仕様書 : 2027050000 PS 000
PRODUCT SPECIFICATION : 2027050000 PS 000
- 製品取扱説明書 : 874370000-AS
APPLICATION SPECIFICATION : 874370000-AS
- テール平坦度 : 0.1以下
TAIL COPLANARITY TO BE 0.1 MAX.
- △. 嵌合相手 : 87439シリーズ (リセプタクルハウジング), 87421シリーズ (圧着端子)
MATE WITH 87439 SERIES (RECEPTACLE HOUSING) AND 87421 SERIES (CRIMP TERMINAL).
- 本製品は金めっき品である。錫めっき品は87438シリーズを参照。
THIS PRODUCT IS GOLD PLATING. FOR TIN PLATING, REFER TO 87438 SERIES.

| | | | | | |
|------|------|------|------|----------------------|--------------------|
| 21.2 | 22.8 | 21.0 | 23.8 | 2027061541 | 15 |
| 19.7 | 21.3 | 19.5 | 22.3 | 2027061441 | 14 |
| 18.2 | 19.8 | 18.0 | 20.8 | 2027061341 | 13 |
| 16.7 | 18.3 | 16.5 | 19.3 | 2027061241 | 12 |
| 15.2 | 16.8 | 15.0 | 17.8 | 2027061141 | 11 |
| 13.7 | 15.3 | 13.5 | 16.3 | 2027061041 | 10 |
| 12.2 | 13.8 | 12.0 | 14.8 | 2027060941 | 9 |
| 10.7 | 12.3 | 10.5 | 13.3 | 2027060841 | 8 |
| 9.2 | 10.8 | 9.0 | 11.8 | 2027060741 | 7 |
| 7.7 | 9.3 | 7.5 | 10.3 | 2027060641 | 6 |
| 6.2 | 7.8 | 6.0 | 8.8 | 2027060541 | 5 |
| 4.7 | 6.3 | 4.5 | 7.3 | 2027060441 | 4 |
| 3.2 | 4.8 | 3.0 | 5.8 | 2027060341 | 3 |
| 1.7 | 3.3 | 1.5 | 4.3 | 2027060241 | 2 |
| D | C | B | A | ヘッダー番号 HEADER NO. | 極数 CIRCUIT SIZE |

THIS DRAWING CONTAINS INFORMATION THAT IS PROPRIETARY TO MOLEX ELECTRONIC TECHNOLOGIES, LLC AND SHOULD NOT BE USED WITHOUT WRITTEN PERMISSION

| | | | | | | |
|--|--------------|---------------------------|------------|--------------------------|-----------------|----------|
| DIMENSION UNITS mm | SCALE 8:1 | CURRENT REV DESC: REVISED | | molex | | |
| GENERAL TOLERANCES (UNLESS SPECIFIED) | | EC NO: 605982 | | | | |
| ANGULAR TOL | ± 3.0° | DRWN: RTANAKA02 | 2019/04/25 | PRODUCT CUSTOMER DRAWING | | |
| 4 PLACES | ± 0.2 | CHK'D: AIDA | 2019/04/26 | DOCUMENT NUMBER | | |
| 3 PLACES | ± 0.2 | APPR: SAKIYAMA | 2019/04/26 | 2027060241 | | |
| 2 PLACES | ± 0.2 | INITIAL REVISION: | | DOC TYPE | DOC PART | REVISION |
| 1 PLACE | ± 0.2 | DRWN: TODA | 2016/08/08 | PSD | 000 | C |
| 0 PLACES | ± 0.2 | APPR: TKANEKO | 2017/03/23 | SHEET NUMBER | | |
| DRAFT WHERE APPLICABLE MUST REMAIN WITHIN DIMENSIONS | | THIRD ANGLE PROJECTION | DRAWING | SERIES | MATERIAL NUMBER | CUSTOMER |
| | | | A3-SIZE | 202706 | SEE SHEET3 | GENERAL |

推奨基板レイアウト RECOMMENDED PCB LAYOUT

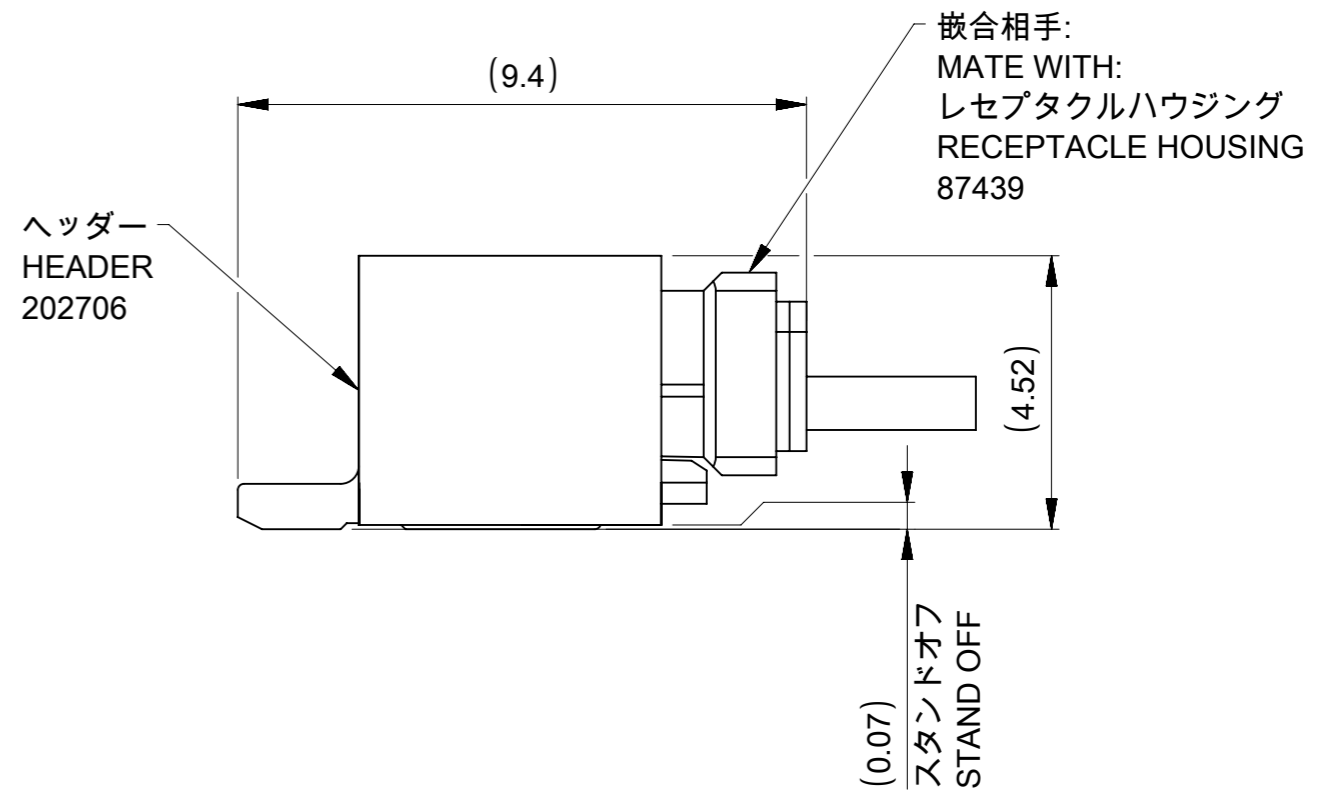


SECTION Z-Z

参考 : 基板厚 1.0mm
 REFERENCE : PCB THICKNESS 1.0mm
 メタルマスク厚 0.12mm
 STENCIL THICKNESS 0.12mm
 マスク開口率100%
 APERTURE RATIO 100%.

- : 半田エリア (パターンエリア)
SOLDER AREA (COPPER ZONE)
- : 半田禁止エリア (パターン禁止エリア)
SOLDER KEEP OUT AREA (NO-COPPER ZONE)
半田上がりを防ぐため。
TO PREVENT SOLDER LIFTING.
レジストによって分離する場合は、パターン面よりも盛り上がらないこと。
IF APPLY RESIST IN THIS AREA, LEVEL AS PATTERN AREA FACE.

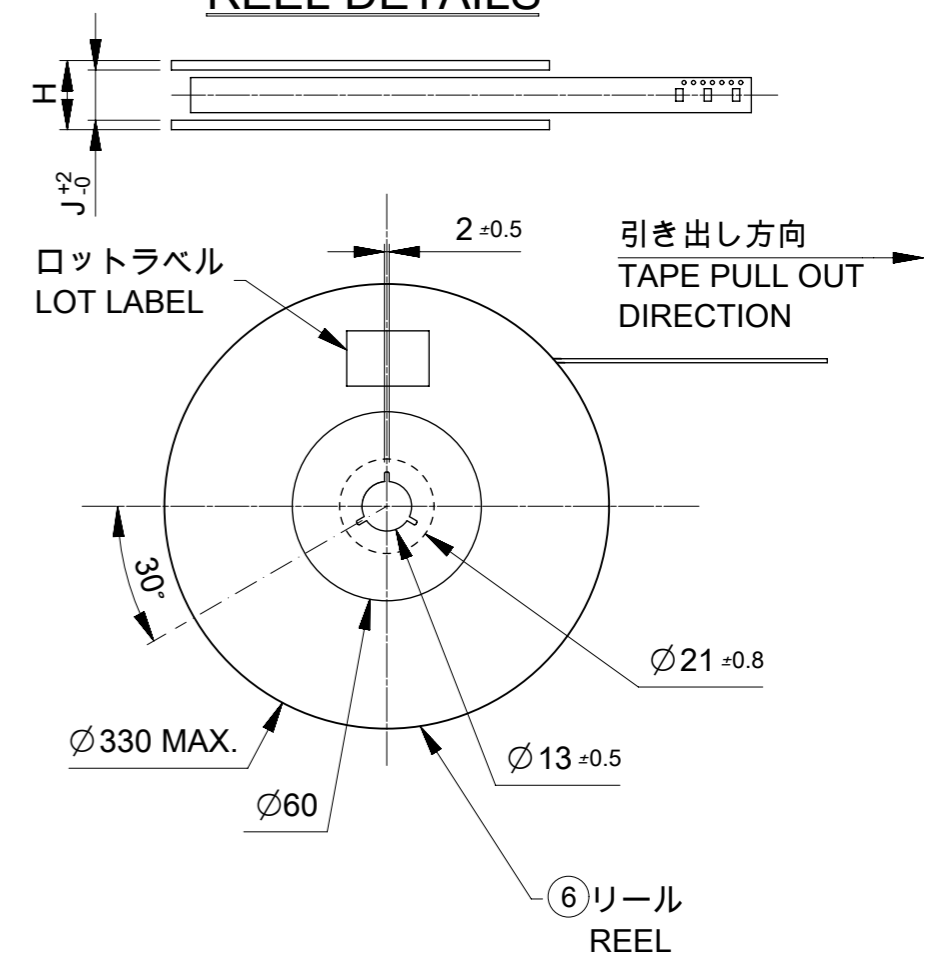
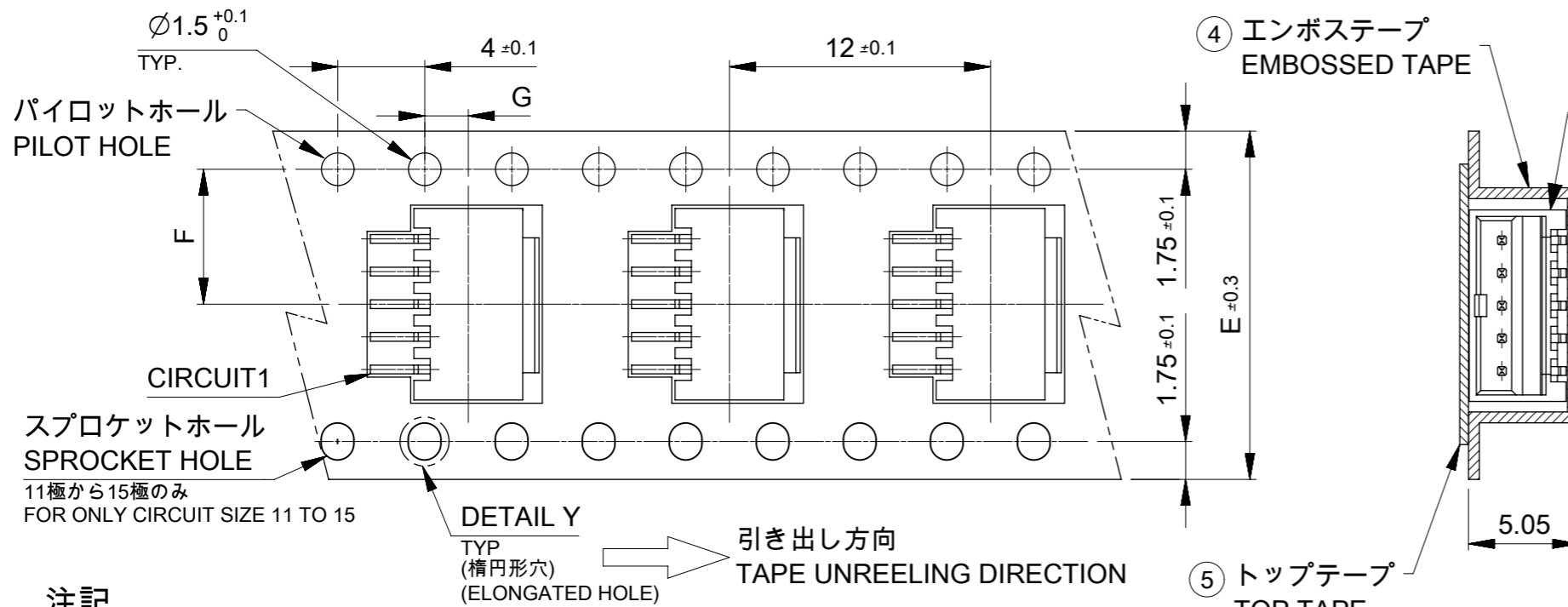
△5 嵌合図 MATED CONNECTORS



| | | | | | | | | | |
|---|--------|---------------------------|------------|-----------------|--|----------|----------|--------------|--|
| THIS DRAWING CONTAINS INFORMATION THAT IS PROPRIETARY TO MOLEX ELECTRONIC TECHNOLOGIES, LLC AND SHOULD NOT BE USED WITHOUT WRITTEN PERMISSION | | | | | | | | | |
| DIMENSION UNITS | SCALE | CURRENT REV DESC: REVISED | | | molex | | | | |
| mm | 8:1 | | | | | | | | |
| GENERAL TOLERANCES (UNLESS SPECIFIED) | | EC NO: 605982 | | | PICO-SPOX 1.5 W/B CONN. R/A HEADER ASSY (SMT GOLD PLATING VERSION) | | | | |
| ANGULAR TOL | ± 3.0° | DRWN: RTANAKA02 | 2019/04/25 | | | | | | |
| 4 PLACES | ± 0.2 | CHK'D: AIDA | 2019/04/26 | | | | | | |
| 3 PLACES | ± 0.2 | APPR: SAKIYAMA | 2019/04/26 | | | | | | |
| 2 PLACES | ± 0.2 | INITIAL REVISION: | | | PRODUCT CUSTOMER DRAWING | | | | |
| 1 PLACE | ± 0.2 | DRWN: TODA | 2016/08/08 | DOCUMENT NUMBER | | DOC TYPE | DOC PART | REVISION | |
| 0 PLACES | ± 0.2 | APPR: TKANEKO | 2017/03/23 | 2027060241 | | PSD | 000 | C | |
| DRAFT WHERE APPLICABLE MUST REMAIN WITHIN DIMENSIONS | | THIRD ANGLE PROJECTION | DRAWING | SERIES | MATERIAL NUMBER | CUSTOMER | | SHEET NUMBER | |
| | | | A3-SIZE | 202706 | SEE SHEET3 | GENERAL | | 2 OF 3 | |

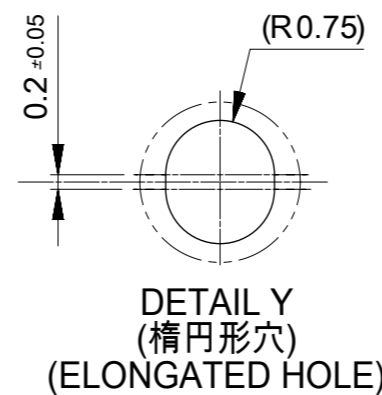
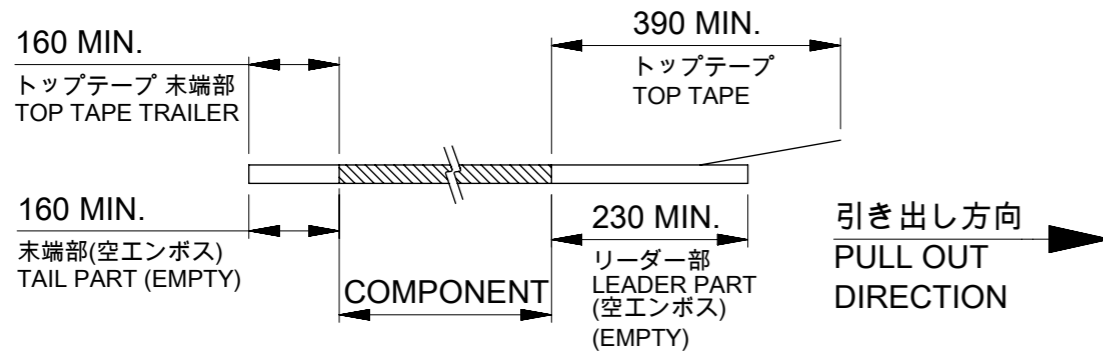
エンボス梱包 詳細 EMBOSSED CARRIER TAPE PACKING DETAILS

リール 詳細 REEL DETAILS

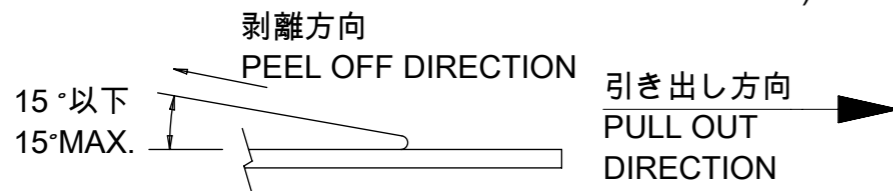


注記 NOTE

7. リーダー部および末端部テープ長さ
LEADER AND TRAILER TAPE LENGTH



8. トップテープの剥離強度：IEC60286-3に準拠。
PEELING OFF FORCE OF THE TOP TAPE: DEFINED IEC60286-3.
(剥離方向は下図を参照)
(PEELING DIRECTION AS SHOWN IN FOLLOWING FIGURE)



9. EIA-481に準拠する。
PACKAGING STANDARD IS AS PER EIA-481.

10. 梱包数量=1000個/リール
TAPE & REEL QUANTITY=1000PCS/REEL

11. 本製品は乾燥剤入りハイバリア梱包での納品となる。
THIS PRODUCT IS DELIVERED IN A HIGH BARRIER PACKAGE WITH DESICCANT.

12. 梱包仕様書：2027069200 PS 200
PACKING INFORMATION：2027069200 PS 200

| | | | | | | | |
|------|-------|---------|-----------|------------|---------------------|---------------------|--------------------|
| 44.4 | 50.4 | 2±0.15 | 20.2±0.15 | 44 | 2027061541 | 2027061543 | 15 |
| 32.4 | 38.4 | 2±0.1 | 14.2±0.1 | 32 | 2027061441 | 2027061443 | 14 |
| | | | | | 2027061341 | 2027061343 | 13 |
| | | | | | 2027061241 | 2027061243 | 12 |
| 24.4 | 30.4 | 2±0.1 | 11.5±0.1 | 24 | 2027061141 | 2027061143 | 11 |
| | | | | | 2027061041 | 2027061043 | 10 |
| | | | | | 2027060941 | 2027060943 | 9 |
| 16.4 | 22.4 | 7.5±0.1 | 16 | 2027060841 | 2027060843 | 8 | |
| | | | | 2027060741 | 2027060743 | 7 | |
| | | | | 2027060641 | 2027060643 | 6 | |
| J | H MAX | G | F | E | 2027060541 | 2027060543 | 5 |
| | | | | | 2027060441 | 2027060443 | 4 |
| | | | | | 2027060241 | 2027060243 | 2 |
| | | | | | ヘッド番号 HEADER NO. | オーダー番号 ORDER NO. | 極数 CIRCUIT SIZE |

| 番号 NO. | 部品 PART | 材質 MATERIAL | DIMENSION UNITS mm | SCALE 1:1 | CURRENT REV DESC: REVISED | | | | |
|-----------|--------------------------|-----------------------------|--|--------------|--|------------------|-------------------------------|---------------------|------------------------|
| ④ | エンボステープ EMBOSSED TAPE | ポリスチレン POLYSTYRENE (PS) | GENERAL TOLERANCES (UNLESS SPECIFIED) | | EC NO: 605982 DRWN: RTANAKA02 2019/04/25 CHK'D: AIDA 2019/04/26 APPR: SAKIYAMA 2019/04/26 INITIAL REVISION: DRWN: TODA 2016/08/08 APPR: TKANEKO 2017/03/23 | | | | |
| ⑤ | トップテープ TOP TAPE | ポリエチレン POLYETHYLENE (PE) | ANGULAR TOL ± 3.0° | | | | | | |
| ⑥ | リール REEL | ポリスチレン POLYSTYRENE (PS) | DRAFT WHERE APPLICABLE MUST REMAIN WITHIN DIMENSIONS | | | | | | |
| | | | | | THIRD ANGLE PROJECTION | | | | |
| | | | | | DRAWING A3-SIZE | SERIES 202706 | MATERIAL NUMBER SEE SHEET3 | CUSTOMER GENERAL | SHEET NUMBER 3 OF 3 |