



PRODUCT NUMBER
20020369-XXXXXXLF

20020369-□ □ □ □ □ 0 □ L F

PITCH
G: 5.00 mm

POLES
02: 2 POLES
03: 3 POLES
|
24: 24 POLES

LF : NOTED RoHS COMPATIBLE

1 : STANDARD PRODUCT
W/ BOX PACKING

PROPERTY TABLE		
PITCH (mm)		5.00
VOLTAGE RATING (VAC)		300
CURRENT RATING (A)	cULus	20
APPLICABLE WIRE RANGE (AWG)	SOLID	12~24
	STRANDED	12~24
WIRE STRIP LENGTH(mm)		9~10
WITHSTANDING VOLTAGE (kV)	cULus	1.6
OPERATING TEMP. (°C)		-40~+115
SOLDERING TEMP. (°C)		250±10/5 Sec
POLES AVAILABLE		02~24
SAFETY CERTIFICATE		PENDING

HOUSING CODE

CODE	COLOR	AVAILABILITY
1	GREEN(RAL 6018/T)	STANDARD
2	BLACK(RAL 9005)	ON REQUEST ONLY
3	GREY(RAL 7035/D)	ON REQUEST ONLY
4	BLUE(RAL 5015/A)	ON REQUEST ONLY

SCREW CODE

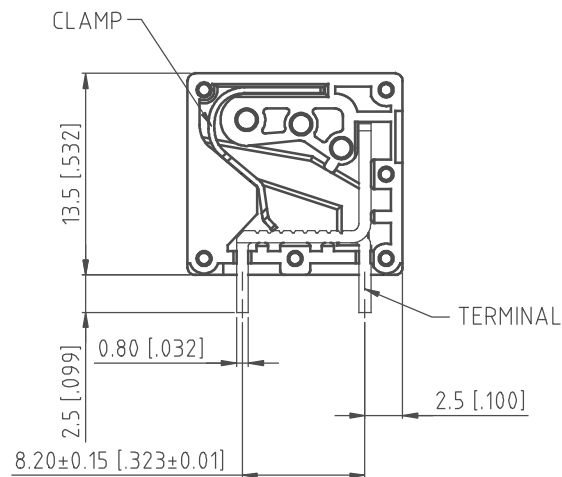
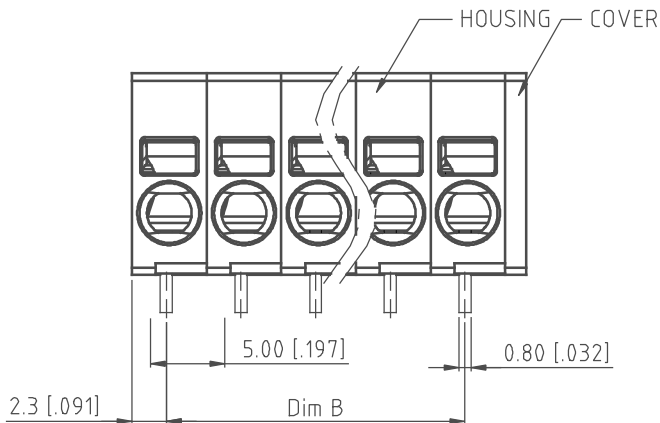
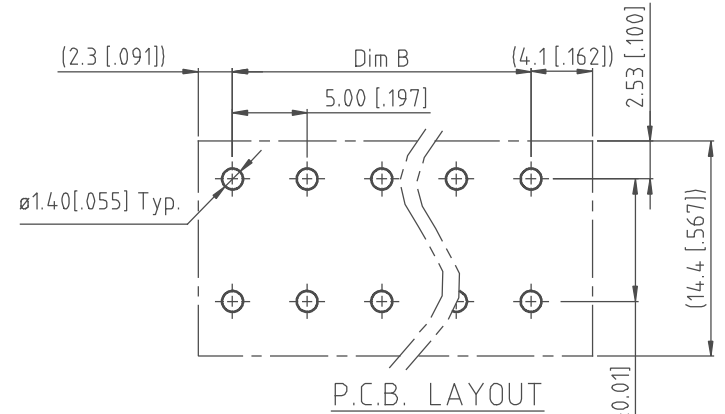
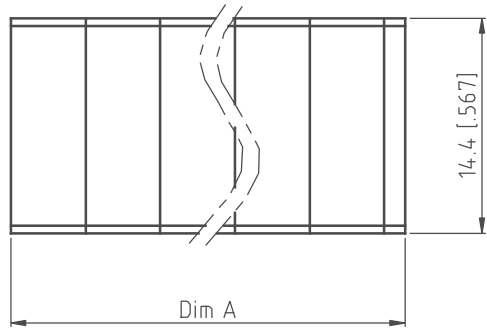
CODE	SCREW TYPE	AVAILABILITY
A	-/+	ON REQUEST ONLY
B	-	STANDARD

NOTES:

- MATERIAL:
1-1. HOUSING: THERMOPLASTIC RESIN, UL94V-0 RATED.
1-2. CLAMP: STEEL
1-3. TERMINAL: BRASS, TIN PLATED.
1-4. COVER: THERMOPLASTIC RESIN, UL94V-0 RATED.
- PRODUCT SPECIFICATION REFER TO FCI GS-12-625.
- PRODUCT PACKING SPECIFICATION REFER TO FCI GS-14-1394.
- THE PRODUCTS WHERE THE PART NUMBER END IN "LF" MEET THE EUROPEAN UNION DIRECTIVE AND OTHER COUNTRY REGULATIONS AS DESCRIBED IN GS-22-008.

mat'l. code		surface ASME Y14.5	tolerance ASME Y14.5	projection 	product family TERMINAL BLOCK
ltr	ecn no	dr	date	tolerances unless otherwise specified	
A		LS	082112	angles X.±0.5	title TERMINAL BLOCK
				X.X±0.3	FIXED, SIGNAL,HORIZONTAL WIRE INLET
				X'±1°	scale MM INCH
				dr LEIF SHEN 081012	dwg no
				enr LEIF SHEN 081012	sheet 1 of 2 size
				chr LEIF SHEN 081012	20020369 A4
				appd JOSEPH HSIA 081012	type
					CUSTOMER Drawing
sheet index	revision sheet	A	A		
		1	2		

PRODUCT NUMBER	PITCH
20020369-GxxxxxxLF	5.00 mm



DIMENSION

Dim A	NX5.00[.197]+1.40[.055]
Dim B	(N-1)X5.00[.197]

N=Number of contacts

Poles	Tolerance
2p-6p	±0.10[.004]
7p-12p	±0.20[.008]
13p-18p	±0.30[.012]
19p-24p	±0.40[.016]

mat'l. code		surface ASME Y14.5 ✓	tolerance ASME Y14.5	projection MM	product family TERMINAL BLOCK
ltr	ecn no	dr	date	title TERMINAL BLOCK FIXED, SIGNAL, HORIZONTAL WIRE INLET	
A				scale MM INCH	dwg no 20020369
				angles X.±0.5 X.X±0.3 X'±1° X.XX±0.1	sheet 2 of size A4
		dr	LEIF SHEN	081012	type CUSTOMER Drawing
		enr	LEIF SHEN	081012	
		chr	LEIF SHEN	081012	
		appd	JOSEPH HSIA	081012	
sheet index	revision sheet				