

ITEM	DESCRIPTION
1	SCREW
2	EXTERNAL THREAD COVER
3	INSERT
4	GASKET
5	GROMMET
6	EXTERNAL THREAD NUT

C25200NOT\*\*\*

SERIES \_\_\_\_\_  
 C25= EXTERNAL THREAD FORM C  
 POLES \_\_\_\_\_  
 2= 2 POLE & 3= 3 POLE  
 THREAD \_\_\_\_\_  
 00 = EXTERNAL THREAD  
 MATERIAL AND HOUSING COLOR \_\_\_\_\_  
 G= PA6 GRAY, N= PA6 BLACK, W= PA6 BLACK V0, T= TRANSPARENT  
 GROUND POSITION \_\_\_\_\_  
 0= UNMOUNTED, 2= H12, 3=H3, 6 =H6 & 9= H9  
 SCREW AND GASKET \_\_\_\_\_  
 U= PROFILE SILICON GASKET AND IP67 SCREW  
 T= PROFILE NBR GASKET AND IP67 SCREW  
 NON STANDARD PACKAGING \_\_\_\_\_  
 CN= BULK PACK UN-MOUNTED  
 SN= BULK PACK MOUNTED  
 67= NEUTRAL PACKAGING  
 ADDITIONAL CODES \_\_\_\_\_  
 SA = UL AGENCY APPROVAL

NOTES:

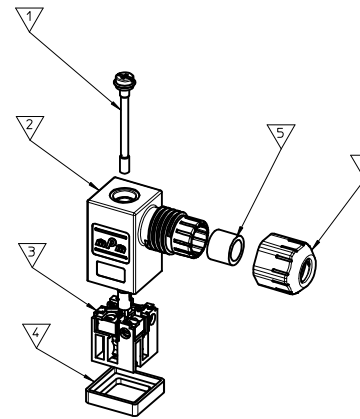
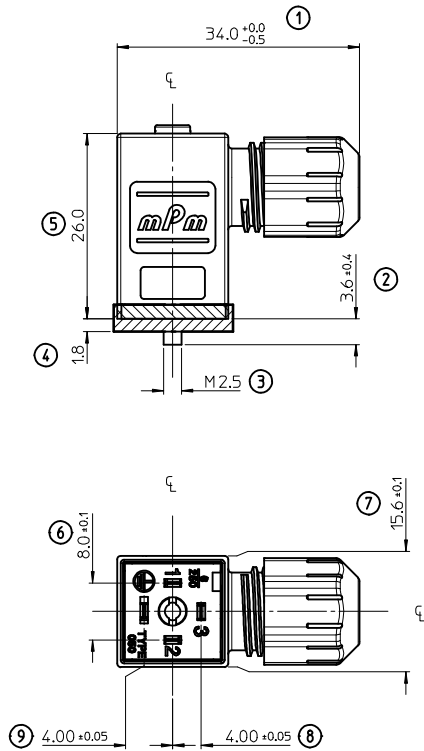
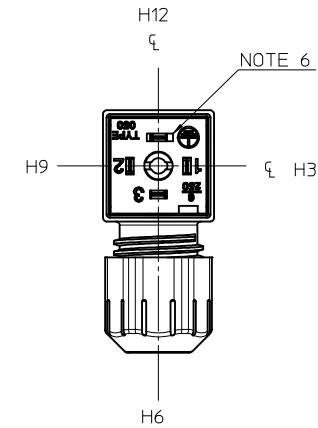
- FOR SPECIFIC PART NUMBERS PLEASE CONTACT SALES OR CONSULT THE INTELLIGENT PART NUMBERS IN THE TABLE ATTACHED
- PACKAGING SPECIFICATION: PLEASE SEE PK-121204-001
- PRODUCT SPECIFICATION: PLEASE SEE PS-121201-001
- CABLE SIZES 3 - 5.5 MM DIAMETER
- TIGHTENING TORQUES: SEE PS-121201-001
- GROUND POSITION SHOWN H12

LAST INSPECTION NUMBER 9

CHANGED SCREW EC NO: IPG2012-0379 2012/05/15 DRWN:DSHEA CHKD:SMCGREYVY 2012/06/12 APPR:EFOLAN 2012/07/20	QUALITY SYMBOLS	GENERAL TOLERANCES (UNLESS SPECIFIED)	DIMENSION STYLE MM ONLY	SCALE 2:1	DESIGN UNITS METRIC	THIRD ANGLE PROJECTION
	▽=0	4 PLACES ±---	mm INCH	DRAWN BY DMAHER_WEU	DATE 2010/03/12	TITLE EXTERNAL THREAD C25 SERIES 121204
	▽=0	3 PLACES ±---		CHECKED BY E FOLAN	DATE	
		2 PLACES ±0.1		APPROVED BY JWALLACE	DATE 2010/03/24	MATERIAL NO.
	1 PLACE ±0.2					SHEET NO. 1 OF 2
	ANGULAR ±---					
		DRAFT WHERE APPLICABLE MUST REMAIN WITHIN DIMENSIONS	SEE TABLE	THIS DRAWING CONTAINS INFORMATION THAT IS PROPRIETARY TO MOLEX INCORPORATED AND SHOULD NOT BE USED WITHOUT WRITTEN PERMISSION		

Part No	MPM Part No	DESCRIPTION
1212040001	C25200N0T	FORM C 2 POLE BLACK NBR GASKET
1212040002	C25200G0T	FORM C 2 POLE GREY NBR GASKET
1212040003	C25200W0TSA	FORM C 2 POLE BLACK UL V0 NBR GASKET
1212040004	C25200T0T	FORM C 2 POLE TRANSPARENT NBR GASKET
1212040005	C25300N0T	FORM C 3 POLE BLACK NBR GASKET
1212040006	C25300G0T	FORM C 3 POLE GREY NBR GASKET
1212040007	C25300W0TSA	FORM C 3 POLE BLACK UL V0 NBR GASKET
1212040008	C25300T0T	FORM C 3 POLE TRANSPARENT NBR GASKET
1212040009	C25200N0TCN	FORM C 2 POLE EXT ASY BLK PA6 BULK
1212040010	C25200N2TSN	FORM C 2 POLE EXT ASY BLK PA6 BULK MOUNTED
1212040011	C25300N2TSN	FORM C 3 POLE EXT ASY BLK PA6 BULK MOUNTED
1212040012	C25200W0USA	FORM C 2 POLE BLACK UL V0 SILICONE GASKET
1212040013	C25300W0USA	FORM C 3 POLE BLACK UL V0 SILICONE GASKET
1212040014	C25200W0TCNSA	FORM C 2 POLE EXT ASY BLK UL V0 PA6 NBR BULK
1212040015	C25200W0UCNSA	FORM C 2 POLE EXT ASY BLK UL V0 PA6 SILICONE BULK
1212040016	C25300W0TCNSA	FORM C 3 POLE EXT ASY BLK UL V0 PA6 NBR BULK
1212040017	C25300W0UCNSA	FORM C 3 POLE EXT ASY BLK UL V0 PA6 SILICONE BULK
1212040018	C25200W2TSNSA	FORM C 2 POLE EXT ASY BLK UL V0 PA6 NBR BULK MOUNTED

<b>SEE SHEET 1</b> EC NO: IPG2012-0379 DRWNG: SHEA 2012/05/15 CHKD: SMC GREVY 2012/06/22 APPR: E FOLAN 2012/07/20	DESCRIPTION REV	<b>QUALITY SYMBOLS</b> = 0 = 0	<b>GENERAL TOLERANCES (UNLESS SPECIFIED)</b>		<b>DIMENSION STYLE</b> <b>MM ONLY</b>		SCALE <b>1:1</b>	DESIGN UNITS <b>METRIC</b>	<b>THIRD ANGLE PROJECTION</b>																		
		<table border="1"> <thead> <tr> <th></th> <th>mm</th> <th>INCH</th> </tr> </thead> <tbody> <tr> <td>4 PLACES</td> <td>± .005</td> <td>± .0005</td> </tr> <tr> <td>3 PLACES</td> <td>± .005</td> <td>± .0005</td> </tr> <tr> <td>2 PLACES</td> <td>± 0.1</td> <td>± .004</td> </tr> <tr> <td>1 PLACE</td> <td>± 0.2</td> <td>± .008</td> </tr> <tr> <td>0 PLACE</td> <td>± .005</td> <td>± .0005</td> </tr> </tbody> </table>			mm	INCH	4 PLACES	± .005	± .0005	3 PLACES	± .005	± .0005	2 PLACES	± 0.1	± .004	1 PLACE	± 0.2	± .008	0 PLACE	± .005	± .0005	DRAWN BY DMAHER_WEU 2010/03/12	DATE 2010/03/12	TITLE <b>EXTERNAL THREAD C25 SERIES 121204</b>			
			mm	INCH																							
		4 PLACES	± .005	± .0005																							
3 PLACES	± .005	± .0005																									
2 PLACES	± 0.1	± .004																									
1 PLACE	± 0.2	± .008																									
0 PLACE	± .005	± .0005																									
APPROVED BY JWALLACE 2010/03/24		DATE 2010/03/24																									
MATERIAL NO.		DOCUMENT NO.					SHEET NO. <b>2 OF 2</b>																				



ITEM	DESCRIPTION
1	SCREW
2	EXTERNAL THREAD COVER
3	INSERT
4	GASKET
5	GROMMET
6	EXTERNAL THREAD NUT

C25200NOT\*\*\*

SERIES \_\_\_\_\_  
 C25= EXTERNAL THREAD FORM C  
 POLES \_\_\_\_\_  
 2= 2 POLE & 3= 3 POLE  
 THREAD \_\_\_\_\_  
 00 = EXTERNAL THREAD  
 MATERIAL AND HOUSING COLOR \_\_\_\_\_  
 G= PA6 GRAY, N= PA6 BLACK, W= PA6 BLACK V0, T= TRANSPARENT  
 GROUND POSITION \_\_\_\_\_  
 0= UNMOUNTED, 2= H12, 3=H3, 6 =H6 & 9= H9  
 SCREW AND GASKET \_\_\_\_\_  
 U= PROFILE SILICON GASKET AND IP67 SCREW  
 T= PROFILE NBR GASKET AND IP67 SCREW  
 NON STANDARD PACKAGING \_\_\_\_\_  
 CN= BULK PACK UN-MOUNTED  
 SN= BULK PACK MOUNTED  
 67= NEUTRAL PACKAGING  
 ADDITIONAL CODES \_\_\_\_\_  
 SA = UL AGENCY APPROVAL

NOTES:

- FOR SPECIFIC PART NUMBERS PLEASE CONTACT SALES OR CONSULT THE INTELLIGENT PART NUMBERS IN THE TABLE ATTACHED
- PACKAGING SPECIFICATION: PLEASE SEE PK-121204-001
- PRODUCT SPECIFICATION: PLEASE SEE PS-121201-001
- CABLE SIZES 3 - 5.5 MM DIAMETER
- TIGHTENING TORQUES: SEE PS-121201-001
- GROUND POSITION SHOWN H12

LAST INSPECTION NUMBER 9

REV	DESCRIPTION	QUALITY SYMBOLS		GENERAL TOLERANCES (UNLESS SPECIFIED)		DIMENSION STYLE		SCALE	DESIGN UNITS	THIRD ANGLE PROJECTION
		mm	INCH	MM ONLY	DATE	2:1	METRIC	DATE	TITLE	
H	CHANGED SCREW EC NO: IPG2012-0379 DRAWN:DSHEA 2012/05/15 CHKD:SMCGREY 2012/06/12 APPR:EFOLAN 2012/07/20	4 PLACES ±---	±---	4 PLACES ±---	±---	DRAWN BY	DATE	2:1	METRIC	THIRD ANGLE PROJECTION
		3 PLACES ±---	±---	3 PLACES ±---	±---	DMAHER_WEU	2010/03/12			EXTERNAL THREAD C25 SERIES 121204
		2 PLACES ±0.1	±---	2 PLACES ±0.1	±---	CHECKED BY	DATE			
		1 PLACE ±0.2	±---	1 PLACE ±0.2	±---	E FOLAN				
		ANGULAR ±---	---	ANGULAR ±---	---	APPROVED BY	DATE			
						JWALLACE	2010/03/24			MOLEX INCORPORATED
						MATERIAL NO.				DOCUMENT NO.
						SEE TABLE				SD-121204-001
						SIZE				SHEET NO.
						A2				1 OF 2
						THIS DRAWING CONTAINS INFORMATION THAT IS PROPRIETARY TO MOLEX INCORPORATED AND SHOULD NOT BE USED WITHOUT WRITTEN PERMISSION				

Part No	MPM Part No	DESCRIPTION
1212040001	C25200N0T	FORM C 2 POLE BLACK NBR GASKET
1212040002	C25200G0T	FORM C 2 POLE GREY NBR GASKET
1212040003	C25200W0TSA	FORM C 2 POLE BLACK UL V0 NBR GASKET
1212040004	C25200T0T	FORM C 2 POLE TRANSPARENT NBR GASKET
1212040005	C25300N0T	FORM C 3 POLE BLACK NBR GASKET
1212040006	C25300G0T	FORM C 3 POLE GREY NBR GASKET
1212040007	C25300W0TSA	FORM C 3 POLE BLACK UL V0 NBR GASKET
1212040008	C25300T0T	FORM C 3 POLE TRANSPARENT NBR GASKET
1212040009	C25200N0TCN	FORM C 2 POLE EXT ASY BLK PA6 BULK
1212040010	C25200N2TSN	FORM C 2 POLE EXT ASY BLK PA6 BULK MOUNTED
1212040011	C25300N2TSN	FORM C 3 POLE EXT ASY BLK PA6 BULK MOUNTED
1212040012	C25200W0USA	FORM C 2 POLE BLACK UL V0 SILICONE GASKET
1212040013	C25300W0USA	FORM C 3 POLE BLACK UL V0 SILICONE GASKET
1212040014	C25200W0TCNSA	FORM C 2 POLE EXT ASY BLK UL V0 PA6 NBR BULK
1212040015	C25200W0UCNSA	FORM C 2 POLE EXT ASY BLK UL V0 PA6 SILICONE BULK
1212040016	C25300W0TCNSA	FORM C 3 POLE EXT ASY BLK UL V0 PA6 NBR BULK
1212040017	C25300W0UCNSA	FORM C 3 POLE EXT ASY BLK UL V0 PA6 SILICONE BULK
1212040018	C25200W2TSNSA	FORM C 2 POLE EXT ASY BLK UL V0 PA6 NBR BULK MOUNTED

<b>SEE SHEET 1</b> EC NO: IPG2012-0379 DRWNG: SHEA 2012/05/15 CHKD: SMC GREVY 2012/06/22 APPR: E FOLAN 2012/07/20	DESCRIPTION REV	<b>QUALITY SYMBOLS</b> ▽=0 ▽=0	<b>GENERAL TOLERANCES (UNLESS SPECIFIED)</b> <table border="1"> <thead> <tr> <th></th> <th>mm</th> <th>INCH</th> </tr> </thead> <tbody> <tr> <td>4 PLACES</td> <td>± ---</td> <td>± ---</td> </tr> <tr> <td>3 PLACES</td> <td>± ---</td> <td>± ---</td> </tr> <tr> <td>2 PLACES</td> <td>± 0.1</td> <td>± ---</td> </tr> <tr> <td>1 PLACE</td> <td>± 0.2</td> <td>± ---</td> </tr> <tr> <td>0 PLACE</td> <td>± ---</td> <td>± ---</td> </tr> </tbody> </table>		mm	INCH	4 PLACES	± ---	± ---	3 PLACES	± ---	± ---	2 PLACES	± 0.1	± ---	1 PLACE	± 0.2	± ---	0 PLACE	± ---	± ---	<b>DIMENSION STYLE</b> <b>MM ONLY</b>	SCALE <b>1:1</b>	DESIGN UNITS <b>METRIC</b>	<b>THIRD ANGLE PROJECTION</b>
			mm	INCH																					
		4 PLACES	± ---	± ---																					
		3 PLACES	± ---	± ---																					
2 PLACES	± 0.1	± ---																							
1 PLACE	± 0.2	± ---																							
0 PLACE	± ---	± ---																							
		DRAWN BY DMAHER_WEU	DATE 2010/03/12	TITLE <b>EXTERNAL THREAD C25 SERIES 121204</b>																					
		CHECKED BY E FOLAN		APPROVED BY JWALLACE																					
		DATE 2010/03/24		MATERIAL NO. <b>SEE TABLE</b>	DOCUMENT NO. <b>SD-121204-001</b>	SHEET NO. <b>2 OF 2</b>																			
		ANGULAR ± ---° DRAFT WHERE APPLICABLE MUST REMAIN WITHIN DIMENSIONS		THIS DRAWING CONTAINS INFORMATION THAT IS PROPRIETARY TO MOLEX INCORPORATED AND SHOULD NOT BE USED WITHOUT WRITTEN PERMISSION																					