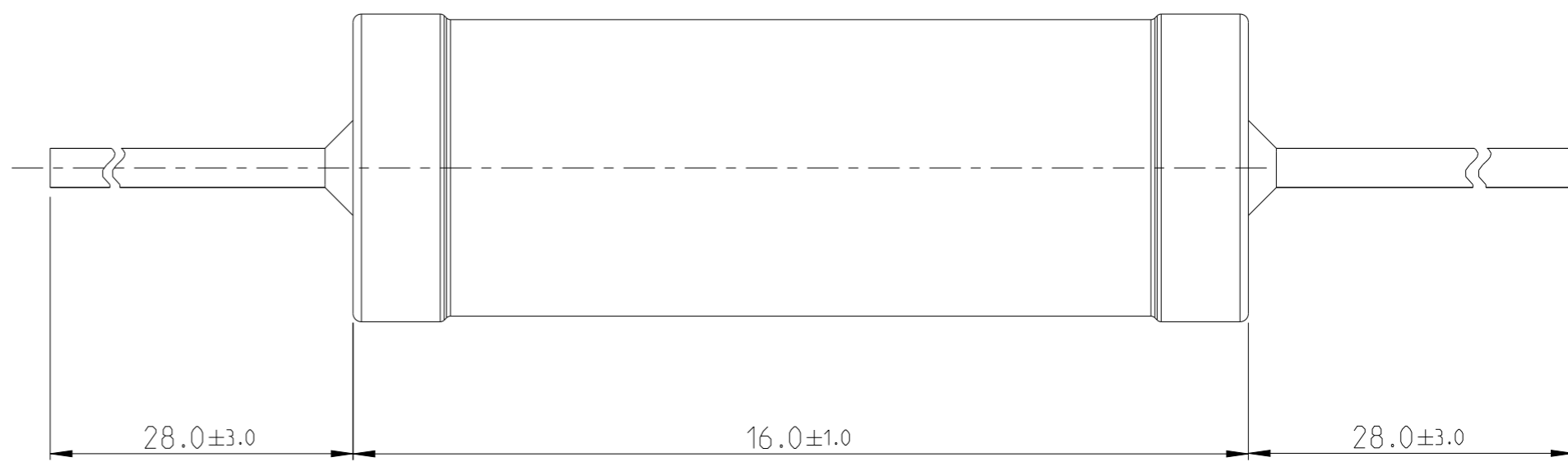
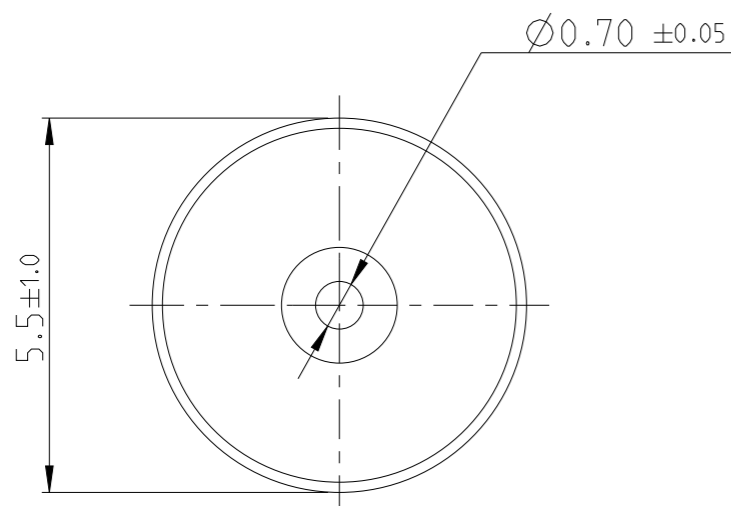
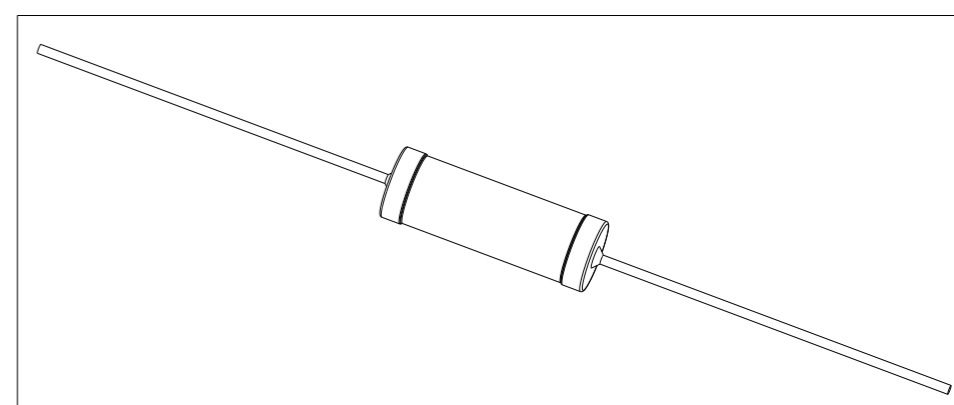


REVISIONS

P	LTR	DESCRIPTION	DATE	DWN	APVD
	BA	NEW DRAWING	16MAR2012	DMS	ST.P
	BA1	SCHEDULE ADDED	26AUG2022	DM	AP



FOR FUTHER INFORMATION SEE DATA SHEET FOR
WIREWOUND ANTI-SURGE RESISTOR - EP SERIES




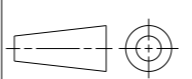
THIS DRAWING IS A CONTROLLED DOCUMENT.		DWN 16MAR2012 DARSHAN.MS																
DIMENSIONS: mm		CHK 16MAR2012 ALLAN.P																
TOLERANCES UNLESS OTHERWISE SPECIFIED:		APVD 16MAR2012 STEPHEN.P	NAME WIREWOUND ANTI-SURGE RESISTOR - TYPE EP 3WS SERIES															
<table border="1"> <tr><td>0 PLC</td><td>±</td></tr> <tr><td>1 PLC</td><td>±</td></tr> <tr><td>2 PLC</td><td>±</td></tr> <tr><td>3 PLC</td><td>±</td></tr> <tr><td>4 PLC</td><td>±</td></tr> <tr><td>ANGLES</td><td>±1°</td></tr> </table>		0 PLC	±	1 PLC	±	2 PLC	±	3 PLC	±	4 PLC	±	ANGLES	±1°	PRODUCT SPEC -	SIZE A 3	CAGE CODE 00779	DRAWING NO C-2176082	RESTRICTED TO -
0 PLC	±																	
1 PLC	±																	
2 PLC	±																	
3 PLC	±																	
4 PLC	±																	
ANGLES	±1°																	
MATERIAL -		FINISH -	WEIGHT 2.239 Gram	SCALE 1:1		SHEET 1 OF 2	REV BA1											
		CUSTOMER DRAWING																

REVISIONS

P	LTR	DESCRIPTION	DATE	DWN	APVD
-		SEE SHEET 1	-	-	-

SCHEDULE

TCPN	CATALOGUE NUMBER	PART DESCRIPTION	PART STATUS
2176082-1	EP3W S10RJ	EP 3W (S) 10R 5%	PRODUCTION
2176082-2	EP3W S15RJ	EP 3W (S) 15R 5%	PRODUCTION
2176082-3	EP3W S22RJ	EP 3W (S) 22R 5%	PRODUCTION
2176082-4	EP3W S33RJ	EP 3W (S) 33R 5%	PRODUCTION
2176082-5	EP3W S47RJ	EP 3W (S) 47R 5%	PRODUCTION
2176082-6	EP3W S68RJ	EP 3W (S) 68R 5%	PRODUCTION
2176082-7	EP3W S100RJ	EP 3W (S) 100R 5%	PRODUCTION
2176082-8	EP3W S150RJ	EP 3W (S) 150R 5%	PRODUCTION
2176082-9	EP3W S220RJ	EP 3W (S) 220R 5%	PRODUCTION
1-2176082-0	EP3W S330RJ	EP 3W (S) 330R 5%	PRODUCTION
1-2176082-1	EP3W S470RJ	EP 3W (S) 470R 5%	PRODUCTION
1-2176082-2	EP3W S680RJ	EP 3W (S) 680R 5%	PRODUCTION
1-2176082-3	EP3W S1K0J	EP 3W (S) 1K0 5%	PRODUCTION
1-2176082-4	EP3W S1K5J	EP 3W (S) 1K5 5%	PRODUCTION
1-2176082-5	EP3W S510RJ	EP 3W (S) 510R 5%	PRODUCTION
1-2176082-6	EP3W S75RJ	EP 3W (S) 75R 5%	PRODUCTION
1-2176082-7	EP3W S47RJTR	EP 3W (S) 47R 5%	PRODUCTION

THIS DRAWING IS A CONTROLLED DOCUMENT.		DWN DARSHAN.MS 16MAR2012	 TE Connectivity	
DIMENSIONS: mm		CHK ALLAN.P 16MAR2012		
		APVD STEPHEN.P 16MAR2012	NAME WIREWOUND ANTI-SURGE RESISTOR - TYPE EP 3WS SERIES	
TOLERANCES UNLESS OTHERWISE SPECIFIED:		PRODUCT SPEC -	APPLICATION SPEC -	
MATERIAL -		FINISH -	WEIGHT 2.239 Gram	RESTRICTED TO -
0 PLC ± 1 PLC ± 2 PLC ± 3 PLC ± 4 PLC ± ANGLES ±1°		SCALE 1:1 SHEET 2 OF 2 REV BA1		
CUSTOMER DRAWING		SIZE A3	CAGE CODE 00779	DRAWING NO. C-2176082