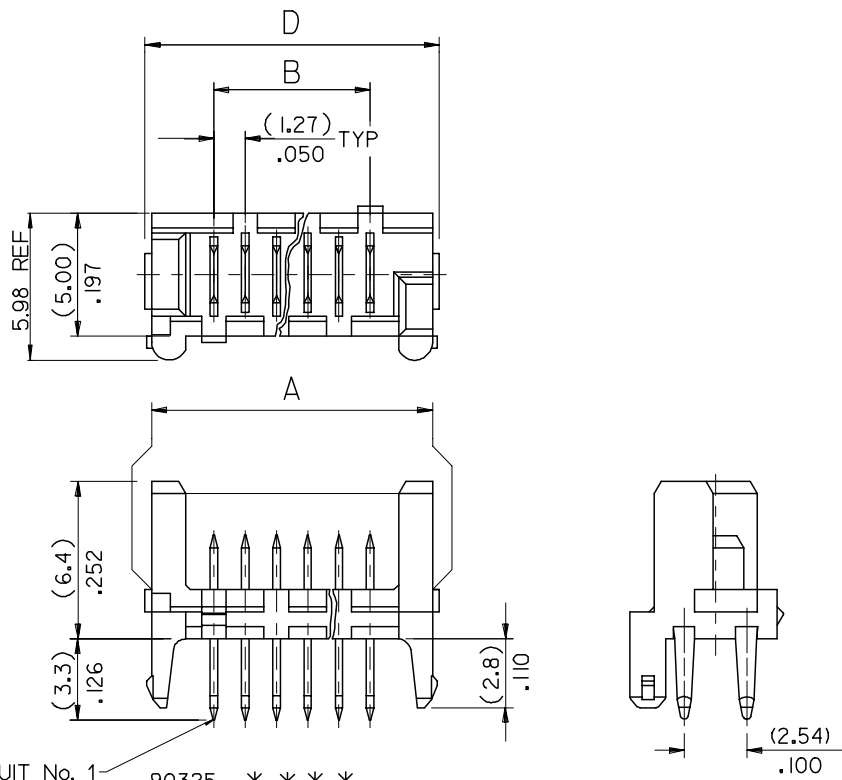


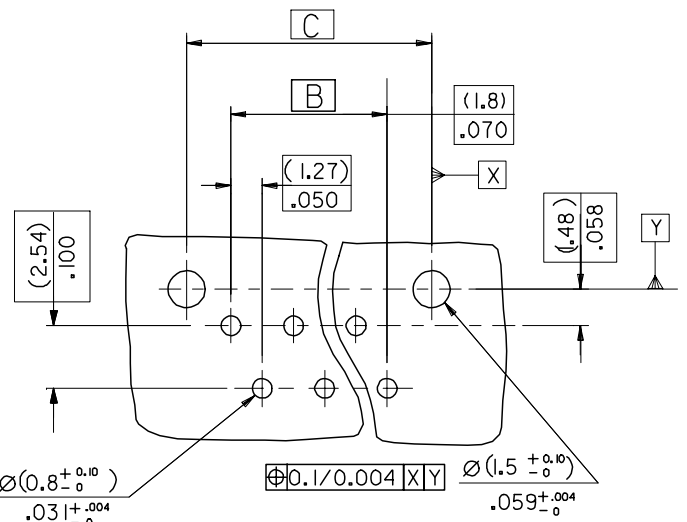
10 9 8 7 6 5 4 3 2 1



90325 - **26	26	(36.80)/1.449	(31.75)/1.250	(35.35)/1.392	(37.26)/1.467	14
↑ - **24	24	(34.26)/1.349	(29.21)/1.150	(32.81)/1.292	(34.72)/1.367	15
- **22	22	(31.72)/1.249	(26.67)/1.050	(30.27)/1.192	(32.18)/1.267	16
- **20	20	(29.18)/1.149	(24.13)/.950	(27.73)/1.092	(29.64)/1.167	18
- **18	18	(26.64)/1.049	(21.59)/.850	(25.19)/.992	(27.10)/1.067	19
- **16	16	(24.10)/.949	(19.05)/.750	(22.65)/.892	(24.56)/.967	22
- **14	14	(21.56)/.849	(16.51)/.650	(20.11)/.792	(22.02)/.867	24
- **12	12	(19.02)/.749	(13.97)/.550	(17.57)/.692	(19.48)/.767	27
- **10	10	(16.48)/.649	(11.43)/.450	(15.03)/.592	(16.94)/.667	32
- **08	8	(13.94)/.549	(8.89)/.350	(12.49)/.492	(14.40)/.567	36
↓ - **06	6	(11.40)/.449	(6.35)/.250	(9.95)/.392	(11.86)/.467	44
90325 - **04	4	(8.86)/.349	(3.81)/.150	(7.41)/.292	(9.32)/.367	57
PART NO.	NO. OF CKTS	DIM. A	DIM. B	DIM. C	DIM. D	NO. ASSYS IN TUBE

CIRCUIT No. 1 90325- * * * *
 CIRCUIT SIZE 04 CKT TO 26 CKT
 0 = HOUSING : COLOUR BLACK
 9 = HOUSING : CUSTOMER SPECIFIC (COLOUR BLACK)
 0= 3-5um TIN ASSY
 3= 0.76um GOLD ASSY
 5= NON STANDARD VOIDED OPTION SEE SHEET 2
 6= ROUND PEG WITH KINKS OPTION SEE SHEET 3
 7= 0.76um GOLD, TUBED
 9= 3-5um TIN ASSY TUBED

PCB LAYOUT VIEWED FROM SOLDER SIDE. BOARD (1.60±0.14) THK .063+0.006 THK.



NOTES:
 1. HOUSING MATL. POLYESTER PBT 15% GLASS FILLED TO UL94 V-0.
 2. TER. MATL. BRASS (0.28)/.011 THK
 PLATING. TIN: (1.27um)/50u" MIN NICKEL UNDER (3-5um)/120-200u" TIN
 PLATING. GOLD: (1.27um)/50u" MIN. NICKEL UNDER (3-5um)/120-200u" TIN SELECTIVE AND (0.76um)/30u" SELECTIVE GOLD
 3. CONFORMS TO PRODUCT SPECIFICATION PS-99020-0011

ADD CKT.1 INDICATOR EC NO: E2007-0083 DRWN:DMASZKI/EMI/CZ 2006/09/11 CHKD:J.DENNEHY 2006/09/11 APPR: DENNEHY 2006/09/13	QUALITY SYMBOLS	DESCRIPTION
	▽=0 ▽=0	
AN	REV	

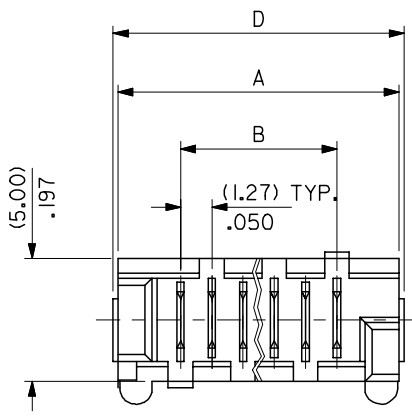
GENERAL TOLERANCES (UNLESS SPECIFIED)	DIMENSION STYLE		SCALE	DESIGN UNITS	THIRD ANGLE PROJECTION
	mm	INCH	MM/IN	METRIC	
4 PLACES ± --- ± ---	DRAWN BY DATE		TITLE		
3 PLACES ± --- ± .008	DMCN 2001/05/29		HEADER ASSEMBLY		
2 PLACES ± 0.20 ± .008	CHECKED BY DATE		MOLEX INCORPORATED		
1 PLACE ± 0.20 ± ---	ROCONNOR 2001/05/29		SDA-90325		
ANGULAR ±1/2°	APPROVED BY DATE		SHEET NO.		
	MWILHITE 2001/05/29		1 OF 3		
DRAFT WHERE APPLICABLE MUST REMAIN WITHIN DIMENSIONS	MATERIAL NO.		DOCUMENT NO.		
	SEE CHART		THIS DRAWING CONTAINS INFORMATION THAT IS PROPRIETARY TO MOLEX INCORPORATED AND SHOULD NOT BE USED WITHOUT WRITTEN PERMISSION		

9 8 7 6 5 4 3 2 1

10 9 8 7 6 5 4 3 2 1

F

F



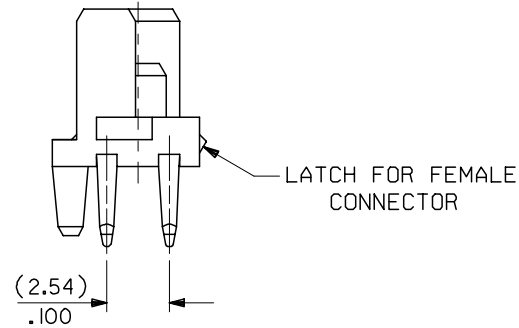
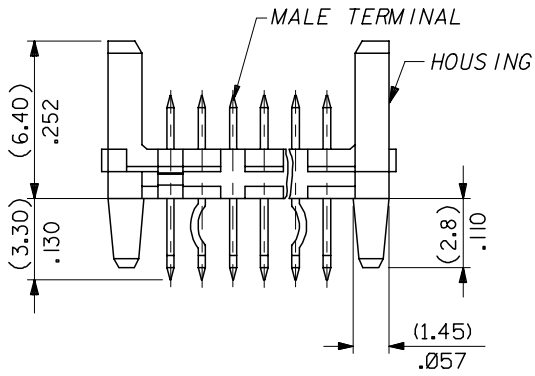
90325-6052	26	(36.80)/1.449	(31.75)/1.250	(35.35)/1.392	(37.26)/1.467	14
90325-6044	18	(26.64)/1.049	(21.59)/.850	(25.19)/.992	(27.10)/1.067	19
90325-6042	16	(24.10)/.949	(19.05)/.750	(22.65)/.892	(24.56)/.967	22
90325-6036	10	(16.48)/.649	(11.43)/.450	(15.03)/.590	(16.94)/.667	31
PART NO.	NO. OF CKTS	DIM. A	DIM. B	DIM. C	DIM. D	NO. ASSYS IN TUBE

E

E

D

D



C

C

B

B

NOTES:

SEE SHEET 1 FOR UNSPECIFIED NOTES AND DIMENSIONS

A

A

RENAMED SHEET 4 TO 3 EC NO: E2005-0514 DRWN:GMC/SWEEN 2005/06/21 CHKD:DMR/LARTY 2005/06/27 APPR: JDENNEHY 2005/07/04	QUALITY SYMBOLS	GENERAL TOLERANCES (UNLESS SPECIFIED)	DIMENSION STYLE	SCALE	DESIGN UNITS	THIRD ANGLE PROJECTION
	▽=0 ▽=0	mm INCH 4 PLACES ± --- ± --- 3 PLACES ± --- ± .008 2 PLACES ± 0.20 ± .008 1 PLACE ± 0.20 ± --- ANGULAR ±1/2°	MM/IN	5:1	METRIC	
	DESCRIPTION	DRAWN BY	DATE	TITLE		
	AH REV	M RIORDAN 1999/04/26 P WHITE 1999/04/28 M WILHITE 1999/04/28	M RIORDAN 1999/04/26 P WHITE 1999/04/28 M WILHITE 1999/04/28	PICOFLEX HEADER ASSEMBLY ROUND PEGS WITH KINKS		
	DRAFT WHERE APPLICABLE MUST REMAIN WITHIN DIMENSIONS	MATERIAL NO.	DOCUMENT NO.	SHEET NO.		
		SEE CHART	SDA-90325	3 OF 3		
		THIS DRAWING CONTAINS INFORMATION THAT IS PROPRIETARY TO MOLEX INCORPORATED AND SHOULD NOT BE USED WITHOUT WRITTEN PERMISSION				

9 8 7 6 5 4 3 2 1