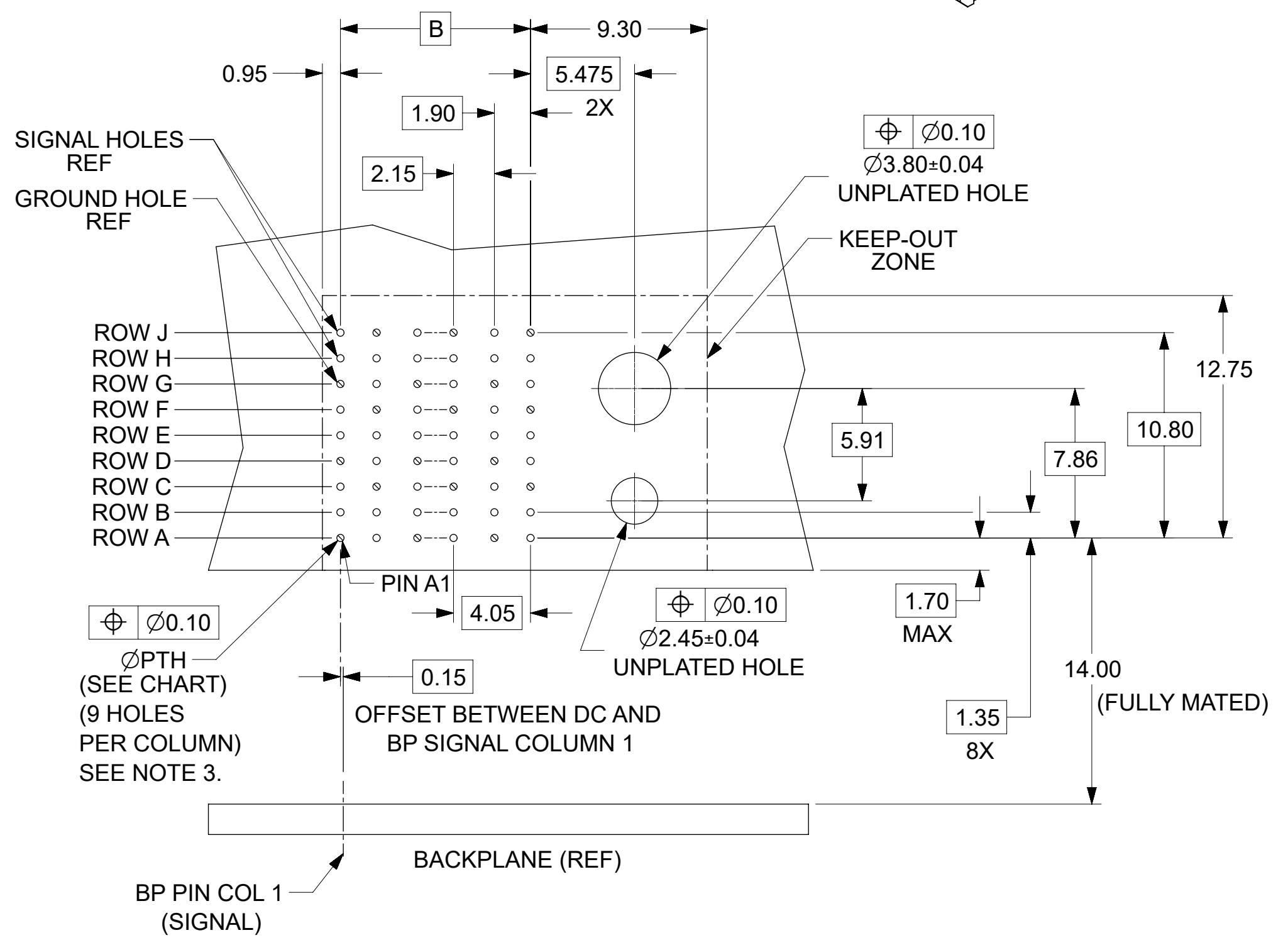
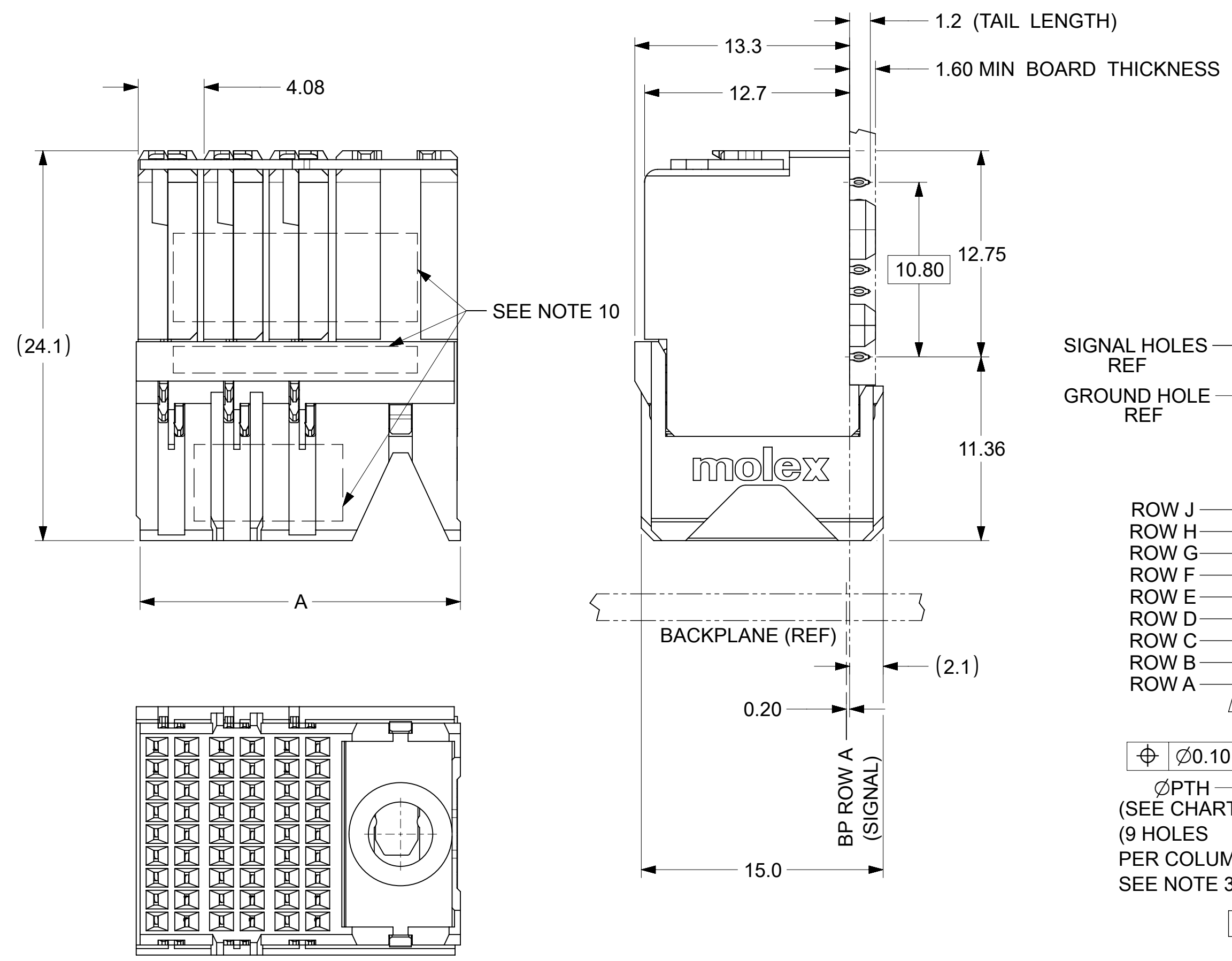
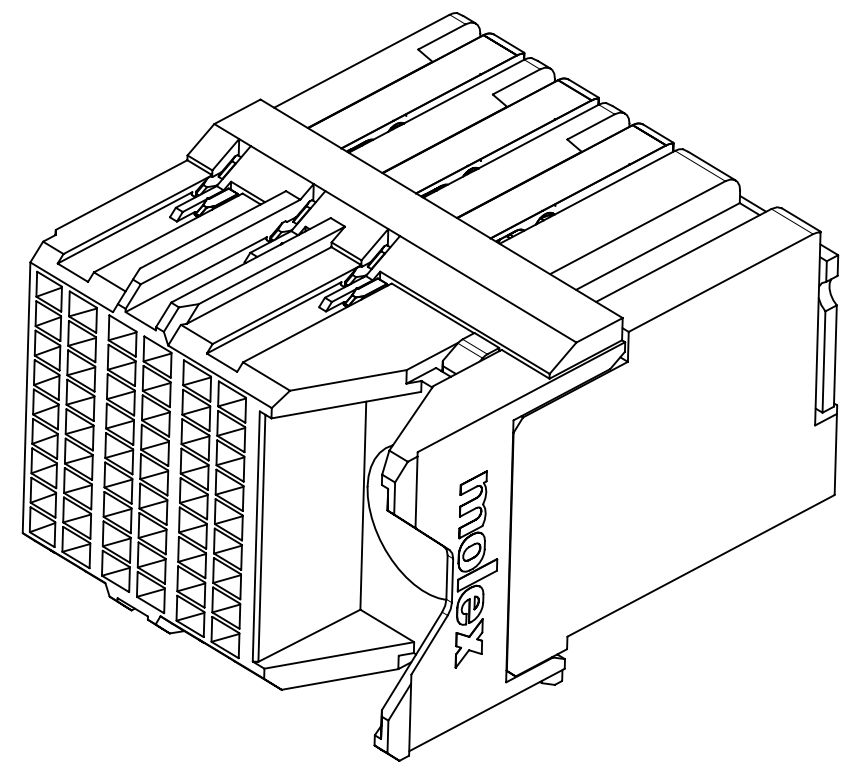


MATERIAL NUMBER	# OF COLUMNS	# OF DIFF PAIR	DIM "A" MAX	DIM "B"	PTH $\phi$
76860-5006	6	18	20.25	10.00	0.46 $\pm$ 0.05
76860-5036	6	18	20.25	10.00	0.39 $\pm$ 0.05
76860-5008	8	24	24.30	14.05	0.46 $\pm$ 0.05
76860-5038	8	24	24.30	14.05	0.39 $\pm$ 0.05

76860-\*0\*\*

MODULE & TAIL PLATING TYPE  
5 = RIGHT GUIDED, LEAD-FREE

# OF COLUMNS  
06 = 6 COL 0.46 PTH  
36 = 6 COL 0.39 PTH  
08 = 8 COL 0.46 PTH  
38 = 8 COL 0.39 PTH



- NOTES:
1. MATERIALS: HOUSING - LIQUID CRYSTAL POLYMER (LCP), GLASS-FILLED, UL94V-0  
TERMINALS - HIGH PERFORMANCE COPPER ALLOY
  2. FINISH: 30 $\mu$ IN MIN GOLD IN CONTACT AREA. SELECTIVE TIN ON PCB TAILS. NICKEL OVERALL.
  3. REFER TO MOLEX PRODUCT SPEC PS-76060-999 FOR PERFORMANCE SPECIFICATIONS AND ADDITIONAL PCB INFORMATION.
  4. EACH SIGNAL WAFER CONTAINS 2 COLUMNS OF TERMINALS.
  5. PRODUCT IS PACKAGED PER PK-70873-591.
  6. THIS PART CONFORMS TO CLASS B REQUIREMENTS OF COSMETIC SPEC PS-45499-002.
  7. REFER TO MOLEX SALES DRAWING SD-76855-003 FOR THE MATING HEADERS.
  8. WHEN USING MOLEX SUPPLIED #2-32 SCREW 73726-4000 (4.31mm  $\pm$ 0.38 THREADABLE SCREW LENGTH), THE MAXIMUM BOARD THICKNESS IS 2.4mm.
  9. REFER TO MOLEX ROUTING GUIDE AS-76850-990 FOR ADDITIONAL PCB LAYOUT AND ROUTING RECOMMENDATIONS.
  10. MARKING: LOCATED APPROXIMATELY AS SHOWN. PART NUMBER AND DATE CODE.

DAUGHTERCARD HOLE PATTERN  
(CONNECTOR SIDE)

THIS DRAWING CONTAINS INFORMATION THAT IS PROPRIETARY TO MOLEX ELECTRONIC TECHNOLOGIES, LLC AND SHOULD NOT BE USED WITHOUT WRITTEN PERMISSION

DIMENSION UNITS	SCALE	CURRENT REV DESC: REMASTERED TO NX		<b>molex</b>	
mm	NTS				
GENERAL TOLERANCES (UNLESS SPECIFIED)		EC NO: 705090		IMPACT DAUGHTERCARD	
ANGULAR TOL	$\pm 0.5^\circ$	DRWN: YOGEEB	2021/12/03	3 PAIR ORTHOGONAL GUIDE RIGHT SALES DWG	
4 PLACES	$\pm$	CHK'D: DYARAS	2022/01/31	PRODUCT CUSTOMER DRAWING	
3 PLACES	$\pm$	APPR: LZENG	2022/05/13	DOCUMENT NUMBER	
2 PLACES	$\pm 0.15$	INITIAL REVISION:		DOC TYPE	
1 PLACE	$\pm 0.25$	DRWN: JLAURX	2010/01/11	DOC PART	
0 PLACES	$\pm$	APPR: JBINGHAM	2010/01/14	REVISION	
DRAFT WHERE APPLICABLE MUST REMAIN WITHIN DIMENSIONS		THIRD ANGLE PROJECTION	DRAWING	SERIES	MATERIAL NUMBER
			C-SIZE	76860	SEE TABLE
					CUSTOMER
					GENERAL MARKET
					SHEET NUMBER
					1 OF 1