



HIGH-SPEED HIGH-DENSITY JUMPER

14
Gbps

(1.27 mm) .050" PITCH • SEAC SERIES



SEAC
Mates:
SEAF8

SEAC	NO. OF POSITIONS PER ROW	NO. OF ROWS	CABLE LENGTH	TU	TU	CABLE TYPE	LATCH OPTION
------	--------------------------	-------------	--------------	----	----	------------	--------------

SPECIFICATIONS

Cable:
36 AWG 50 Ω coax, or
32 AWG 100 Ω twinax
Signal Routing:
50 Ω Single-Ended, or
100 Ω Differential Pair
Plating:
Au over 50 μ" (1.27 μm) Ni
Operating Temp Range:
-40 °C to +125 °C (coax)
-25 °C to +105 °C (twinax)



-020
(-04, -06, -08 & -10 row only)

-030
(-04, -06 & -08 row only)

-040
(-04 & -06 row only)

-050
(-04 row only)

**-04,
-06,
-08,
-10**

-"XX.X"
= Cable Length in Inches (152.4 mm) 06.0" minimum

Leave Blank for 36 AWG 50 Ω coax

-2
= 32 AWG 100 Ω twinax

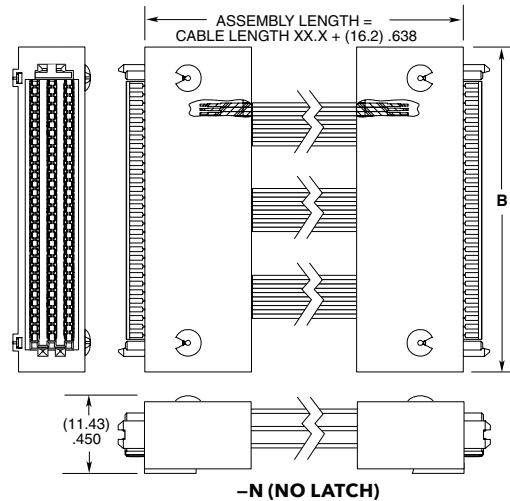
Leave Blank for latch post

-N
= No Latch

SIGNAL ROUTING

Product has some lines dedicated to ground.
For single-ended and differential pair signal/ground assignments see signal routing information on the assembly print at the web address above.
Design your High-Speed Cable with Samtec's High-Speed Cable Solutionator® at www.samtec.com/hdr

POSITIONS PER ROW	A	B	C
-020	(30.38) 1.196	(33.53) 1.320	(48.26) 1.900
-030	(43.08) 1.696	(46.23) 1.820	(60.96) 2.400
-040	(55.78) 2.196	(58.93) 2.320	(73.66) 2.900
-050	(68.48) 2.696	(71.63) 2.820	(86.36) 3.400



OTHER SOLUTIONS

Other end options
Mixed SEAC end types
300 positions or greater

Notes:
Mixed latch styles not available

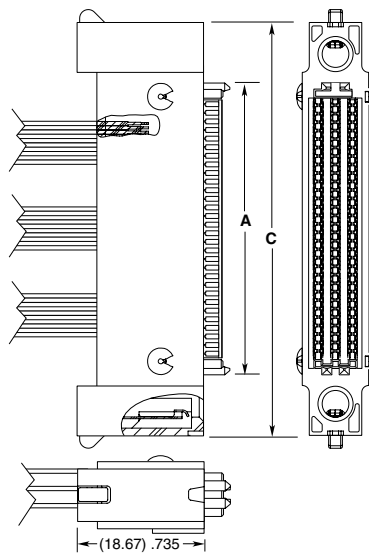
Cable lengths longer than 40.00" (1 meter) are not supported with S.I. test data.

Design your full cable assembly with Samtec's High-Speed Cable Builder at www.samtec.com/cablebuilder

PCIe® 2.0 & 3.0 capable

PCI-SIG®, PCI Express® and the PCIe® design marks are registered trademarks and/or service marks of PCI-SIG.

Some lengths, styles and options are non-standard, non-returnable.



LATCH POST

SEARAY™ .8 mm CABLE ASSEMBLY

(0.80 mm) .0315" Pitch High-Speed Cable in 8 to 10 rows that mates with the SEAM8/SEAF8 Series.

For more information on the ESCA Series, visit samtec.com?ESCA

