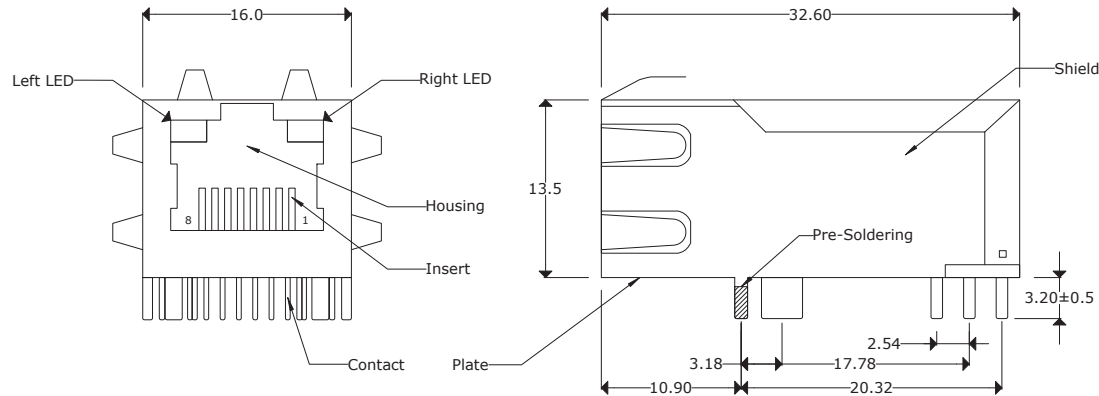
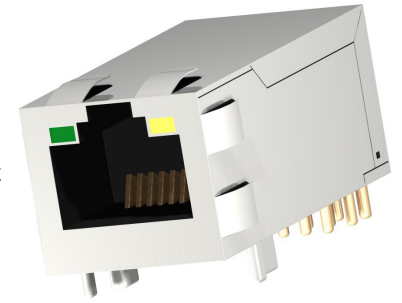
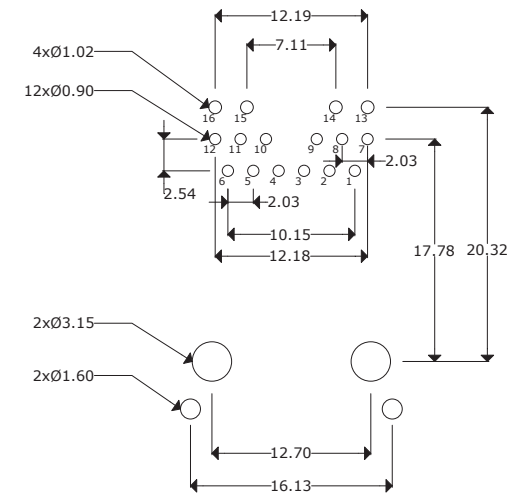


# SCNRJ-1212GGMS EGY-073F SORTH

**SUNTSU** **RJ45** **CONTACTS** 12:12 **MAGNETIC** M: With **EMI Finger** E: With **OPERATING TEMP** 07: 0~70°C **CONTACT TERMINATION** SO: SOLDER **CONNECTOR** **POSITIONS** 12:12 **CONTACT PLATING** GG: 6u" Gold Plating **SHIELD** S: With **LED COLOR** CY: Left - Green Right - Yellow **HEIGHT** 3F: 13.5mm **MOUNTING STYLE** RTH: Right Angle Through Hole



## PC Board Layout

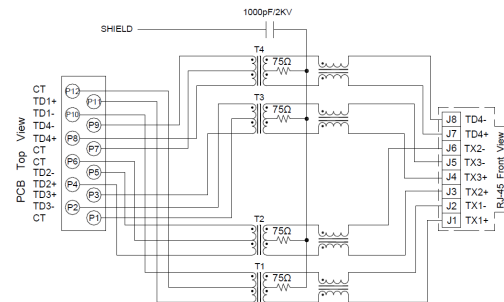


### Electrical Parameters

Turn Ratio(±5%): 1CT:1CT  
 Inductance(100KHz/0.1V@8mA): 350uH MIN  
 Insertion Loss(dB MAX): -0.8dB(0.3-100MHz), -1.2dB(100-125MHz)  
 Return Loss(dB MIN): -18dB(0.5-40MHz),  
 -12+20log(f/80MHz)dB(40-100MHz)  
 Cross Talk(dB MIN): -33+20log(f/100MHz)dB(1-100MHz)  
 CMR(dB MIN): -35dB(0.3-100MHz)  
 HI-POT(Pri to Sec): 1500Vrms/0.5mA/60sec or 1650Vrms/0.5mA/2Sec

### Materials

Housing: Nylon 66 UL94V-0 Standard color Black  
 Insert: Phos-Bronze C5210 EH---0.35 Thickness  
 Insert: PBT GF UL94V-0  
 Insert Plating: (1) Nickel (2) 100% Sn (3) Gold (6u")  
 Plate: PBT GF UL 94V-0  
 Contact Pin: Phos-Bronze C5191---0.35 Thickness  
 Contact Plating: (1) Nickel (2) 100% Sn  
 Shielding: Brass C2680 Plating Nickel



Remarks:  
 Operating Life: 750 Cycles MIN.

Standard LED	Wavelength	Forward*V(MAX)	TYP
Green	565nm	2.5V	2.2V
Yellow	585nm	2.5V	2.1V

With a forward current of 20mA



1000 BASE-T SINGLE PORT RJ45 Integrated Connector Module

### Document History

Edits Made	Date	Edited By	Approved By
Initial Release	10/06/2021	B. Gibbons	KH Mun

Part No.
SCNRJ-1212GGMSEGY-073FSORTH
Scale
Not drawn to scale
Unit
mm

Drawn
B. Gibbons 10/06/2021
Tolerance
Unless otherwise specified, all tolerances are ±0.25
Pages
1/1