

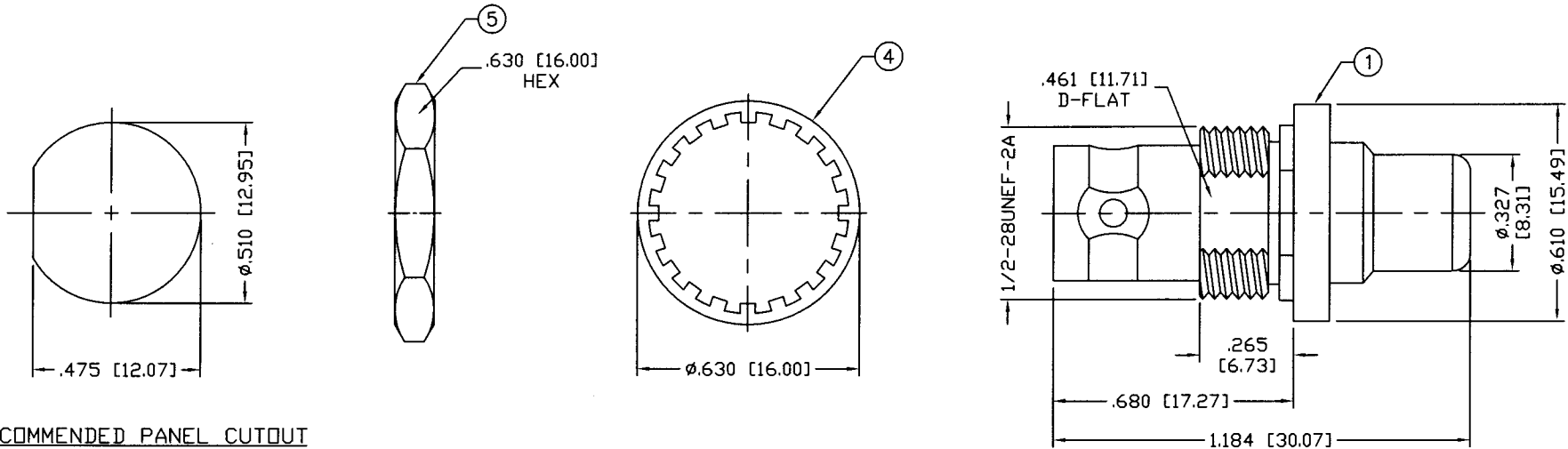
THIS DRAWING CONTAINS INFORMATION PROPRIETARY TO RF INDUSTRIES,
 ANY UNAUTHORIZED USE OF THIS DRAWING IS EXPRESSLY PROHIBITED
 WITHOUT WRITTEN PERMISSION FROM RF INDUSTRIES.
 ANY VIOLATION IS PUNISHABLE UNDER U.S. COPYRIGHT LAWS.

ALL DIMENSIONS ARE REFERENCE ONLY

PART NO.

RFB-1151

| REV | DESCRIPTION | DWN | DATE | APPROVED |
|-----|---------------------|-----|----------|----------|
| - | ENGINEERING RELEASE | CZS | 10/22/04 | JDMc |
| | | | | |
| | | | | |



0.150 [3.81] MAX. PANEL THICKNESS

SPECIFICATIONS:

IMPEDANCE: 50 Ohms
 FREQUENCY RANGE: 0-4 GHz
 WORKING VOLTAGE: 500 V rms @ sea level

| | | | | | | |
|----|--------------|-----|----------|---------------|-----------|------|
| 1 | BODY | 1 | BRASS | NICKEL, 100μ" | 000494 | |
| 2 | INSULATOR | 1 | DELTRIN | --- | | |
| 3 | CONTACT | 1 | BRASS | GOLD, 30μ" | | |
| 4 | LOCK WASHER | 1 | BRASS | NICKEL, 100μ" | | |
| 5 | HEX NUT | 1 | BRASS | NICKEL, 100μ" | | |
| 6 | PRESS WASHER | 1 | BRASS | NICKEL, 100μ" | | |
| 7 | | | | | | |
| 8 | | | | | | |
| 9 | | | | | | |
| 10 | | | | | | |
| 11 | | | | | | |
| 12 | | | | | | |
| 13 | | | | | | |
| 14 | | | | | | |
| # | DESCRIPTION | QTY | MATERIAL | FINISH | APPROVALS | DATE |

UNLESS OTHERWISE SPECIFIED:

DIMENSIONS ARE IN INCHES
 AND [MILLIMETERS]
 UNLESS OTHERWISE NOTED
 TOLERANCES ARE:

DECIMALS DIAMETER

RF connectors
 DIVISION OF RF INDUSTRIES, LTD.

7610 MIRAMAR RD
 SAN DIEGO, CA 92126
 (858) 549-6340
 (858) 549-6345 FAX

**RCA JACK TO
 BNC BULKHEAD JACK**

| | | | |
|--------|-------------|----------|--------------|
| SIZE | CABLE GROUP | DWG NO. | REV |
| A | N/A | RFB-1151 | - |
| SCALE: | NTS | CAD FILE | OUTLINE |
| | | | SHEET 1 OF 1 |