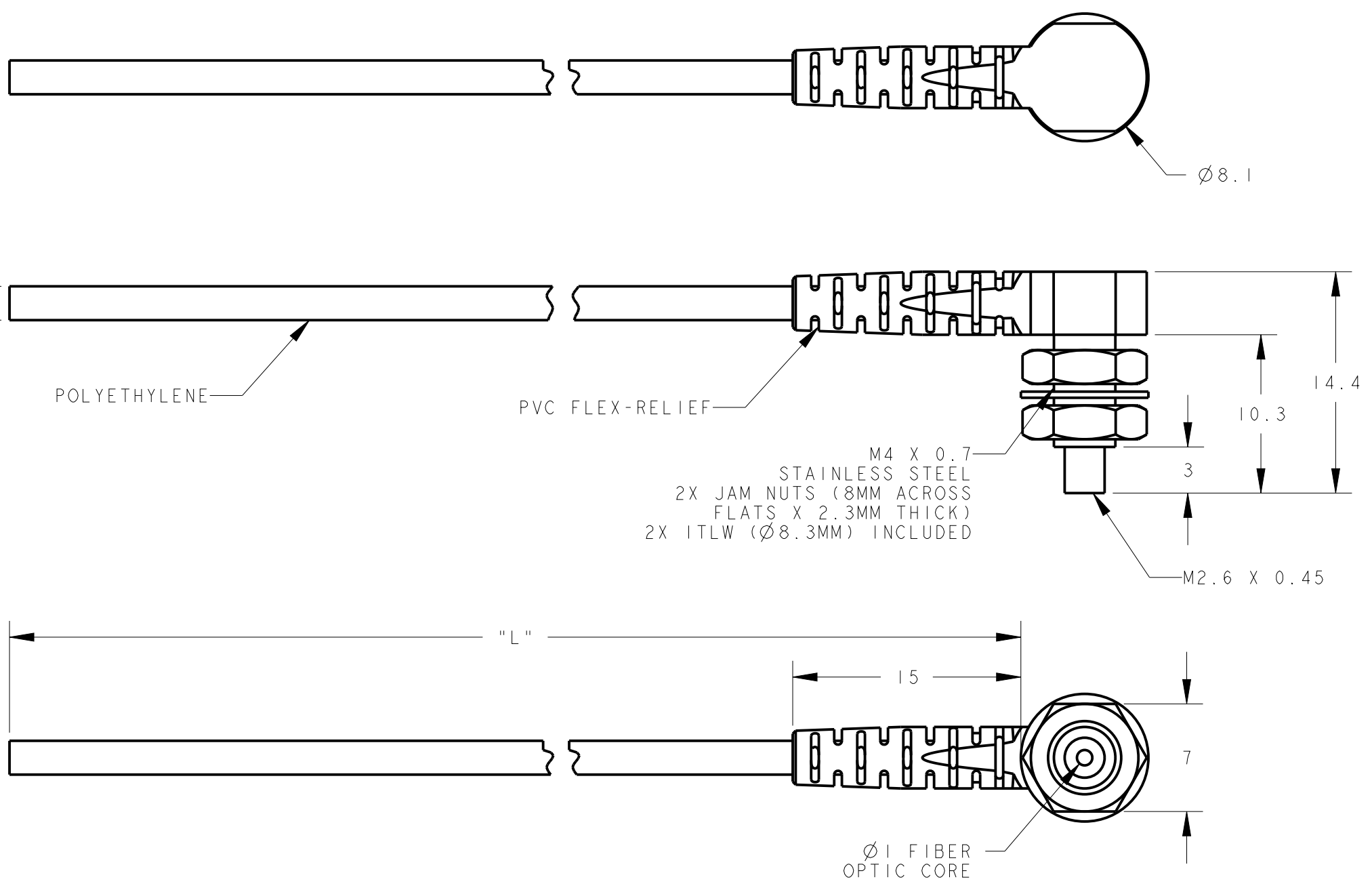
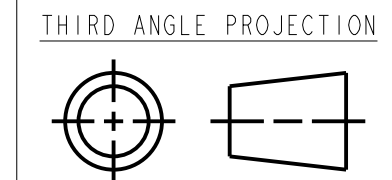


MODEL NO.	"L"	P/N
PIAT46UTA-VL	2000	93162
PIAT43UTA-VL	1000	93161



This drawing is the property of BANNER ENGINEERING CORP. and is proprietary in general and in detail. Its contents shall not be revealed to outside parties without written consent of BANNER.

BANNER ENGINEERING CORP.
P.O. BOX 9414
MINNEAPOLIS, MN 55440



TITLE
PIAT4 STANDARD BEND RADIUS VL SERIES UNTERMINATED

SIZE B	DRAWING NO. 182756	REV. A
SCALE 3:1	SHEET 1 OF 1	

NOTES:
1. ALL DIMENSIONS ARE MILLIMETERS [INCHES] UNLESS OTHERWISE NOTED.
2. OPERATING TEMPERATURE -55°C ~ +70°C.
3. MINIMUM BEND RADIUS R25