



# SMA Male Connector Clamp Attachment Vertical Launch PCB, Removable Stripline Launch

## RF Connectors Technical Data Sheet

PE45460

### Configuration

- SMA Male Connector
- 50 Ohms
- Straight Body Geometry
- Vertical Launch Interface Type
- Clamp Attachment

### Features

- Max. Operating Frequency 26.5 GHz
- Good VSWR of 1.3:1
- Gold Plated Brass Contact
- Reusable vertical launch installation

### Applications

- General Purpose Test
- PCB Applications
- Signal Integrity Measurement
- Chip Evaluations
- SERDES
- Vertical Launch Test Fixtures

### Description

Pasternack's PE45460 SMA male connector with clamp attachment for vertical launch PCB is part of our full line of RF components available for same-day shipping. Our SMA male connector operates up to a maximum frequency of 26.5 GHz and offers good VSWR of 1.3:1.

Our SMA male connector PE45460 datasheet specifications and drawing with dimensions are shown below in this PDF. Pasternack's broad catalog of RF, microwave and millimeter wave connectors allows designers to configure and customize their signal connections however they like. Whether the need is to provide an I/O for a board design, or simply create a custom cable assembly configuration, Pasternack has the right connector for the job. Pasternack can also expertly build your custom cable assemblies for you and ship same-day.

### Electrical Specifications

Description	Minimum	Typical	Maximum	Units
Frequency Range	DC		26.5	GHz
VSWR			1.3:1	

#### Electrical Specification Notes:

Actual VSWR performance is largely dependent on circuit board design. For optimal results, the connector and circuit launch geometry should be modeled using Electromagnetic Simulation tools.

### Mechanical Specifications

#### Size

Length	0.5 in [12.7 mm]
Width/Dia.	0.315 in [8.00 mm]
Height	0.39 in [9.91 mm]

Mating Cycles	500 Cycles
---------------	------------

Click the following link (or enter part number in "SEARCH" on website) to obtain additional part information including price, inventory and certifications: [SMA Male Connector Clamp Attachment Vertical Launch PCB, Removable Stripline Launch PE45460](#)



SMA Male Connector Clamp Attachment Vertical Launch PCB, Removable Stripline Launch

RF Connectors  
Technical Data Sheet

PE45460

**Material Specifications**

Description	Material	Plating
Contact	Brass	Gold
Insulation	PTFE	
Body	Passivated Stainless Steel	
Coupling Nut	Passivated Stainless Steel	

Mechanical Specification Notes:  
Launch Pin is Gold Plated Beryllium Copper

**Environmental Specifications**

**Compliance Certifications** (see [product page](#) for current document)

**Plotted and Other Data**

Notes:

Click the following link (or enter part number in "SEARCH" on website) to obtain additional part information including price, inventory and certifications: [SMA Male Connector Clamp Attachment Vertical Launch PCB, Removable Stripline Launch PE45460](#)



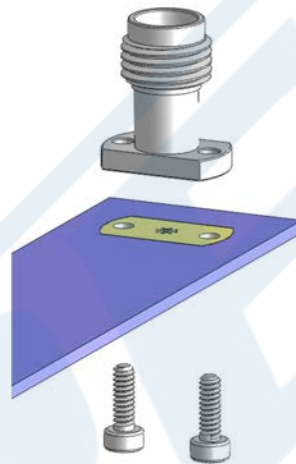
## SMA Male Connector Clamp Attachment Vertical Launch PCB, Removable Stripline Launch

### RF Connectors Technical Data Sheet

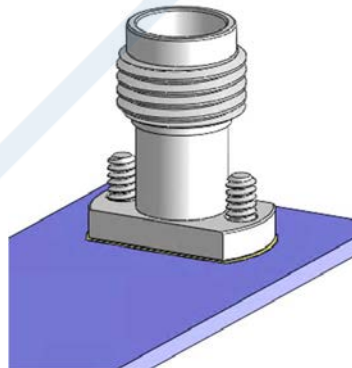
PE45460

#### Assembly Instruction

- STEP 1 :**  
Position vertical launch above substrate.



- STEP 2:**  
Insert screws and tighten connector body against the substrate, while ensuring center pin is centered on the trace or landing pad.



Click the following link (or enter part number in "SEARCH" on website) to obtain additional part information including price, inventory and certifications: [SMA Male Connector Clamp Attachment Vertical Launch PCB, Removable Stripline Launch PE45460](#)

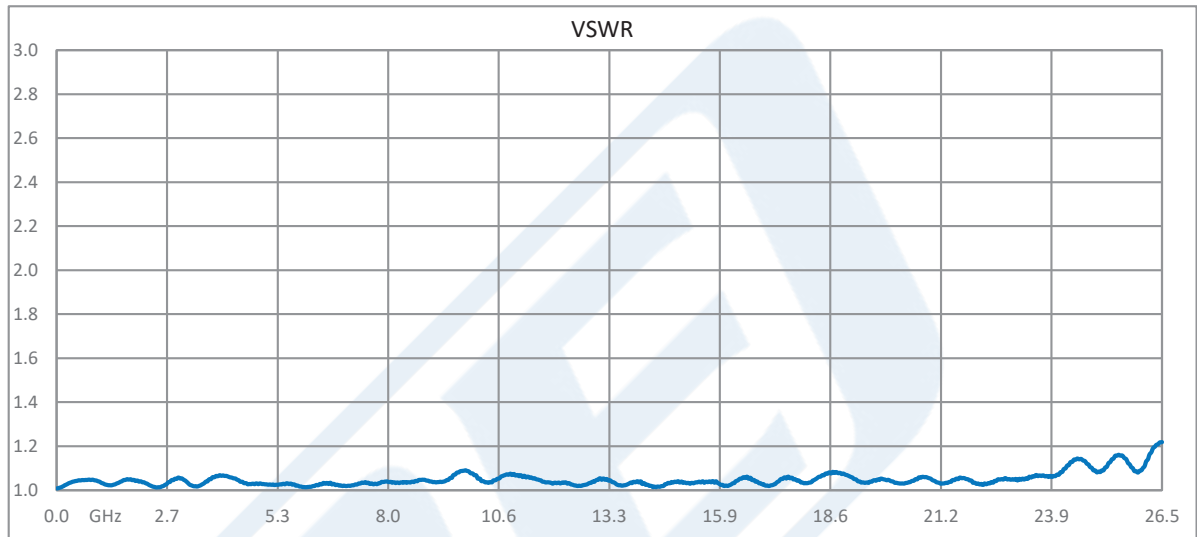


SMA Male Connector Clamp Attachment Vertical Launch PCB, Removable Stripline Launch

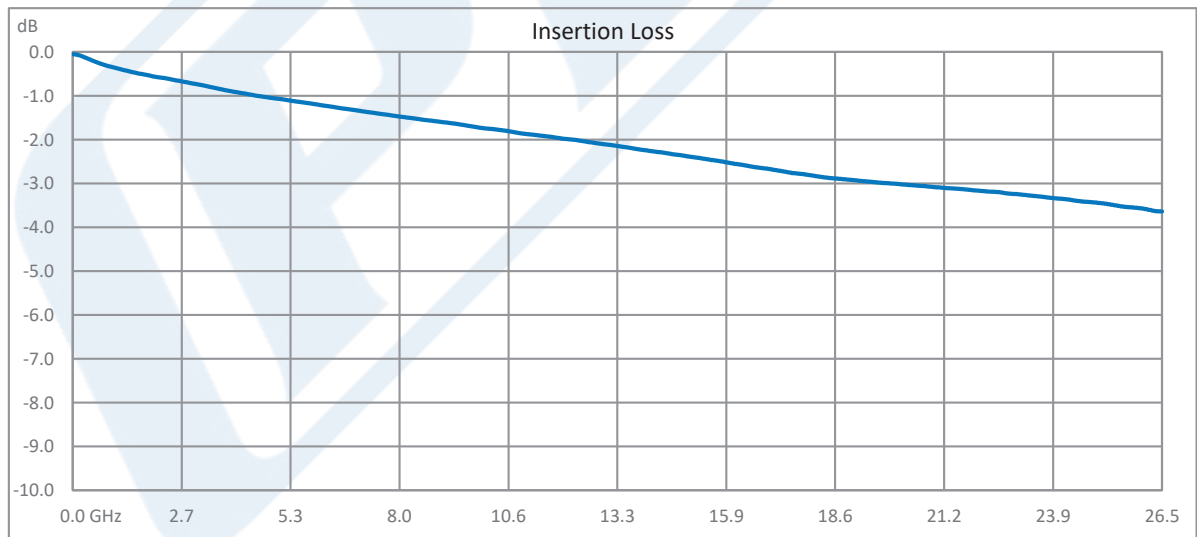
RF Connectors  
Technical Data Sheet

PE45460

Typical Performance Data



Test data taken with 2 connectors on both ends of test fixture



Test data taken with 2 connectors on both ends of test fixture

Click the following link (or enter part number in "SEARCH" on website) to obtain additional part information including price, inventory and certifications: [SMA Male Connector Clamp Attachment Vertical Launch PCB, Removable Stripline Launch PE45460](#)



## SMA Male Connector Clamp Attachment Vertical Launch PCB, Removable Stripline Launch

### RF Connectors Technical Data Sheet

PE45460

SMA Male Connector Clamp Attachment Vertical Launch PCB, Removable Stripline Launch from Pasternack Enterprises has same day shipment for domestic and International orders. Our RF, microwave and millimeter wave products maintain a 99.4% availability and are part of the broadest selection in the industry.

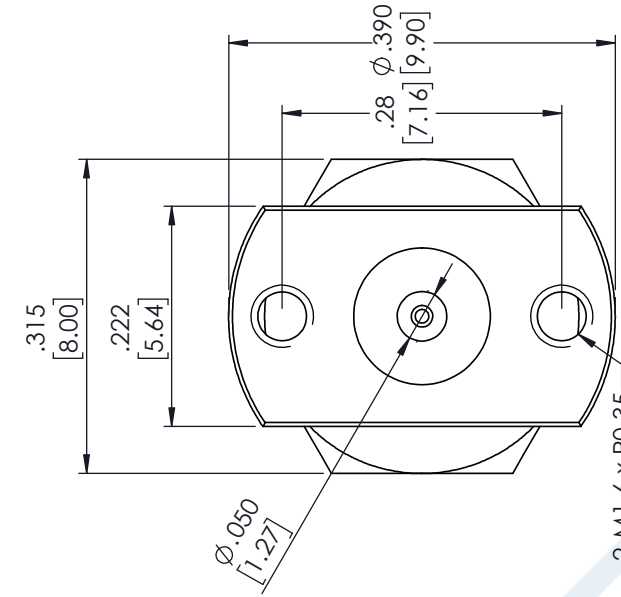
Click the following link (or enter part number in "SEARCH" on website) to obtain additional part information including price, inventory and certifications: [SMA Male Connector Clamp Attachment Vertical Launch PCB, Removable Stripline Launch PE45460](https://www.pasternack.com/sma-male-vertical-launch-pcb-connector-pe45460-p.aspx)

URL: <https://www.pasternack.com/sma-male-vertical-launch-pcb-connector-pe45460-p.aspx>

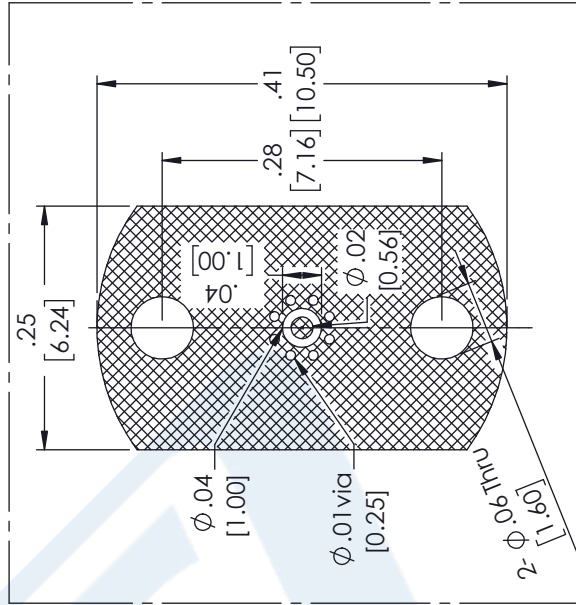
The information contained in this document is accurate to the best of our knowledge and representative of the part described herein. It may be necessary to make modifications to the part and/or the documentation of the part, in order to implement improvements. Pasternack reserves the right to make such changes as required. Unless otherwise stated, all specifications are nominal. Pasternack does not make any representation or warranty regarding the suitability of the part described herein for any particular purpose, and Pasternack does not assume any liability arising out of the use of any part or documentation.

# PE45460 CAD Drawing

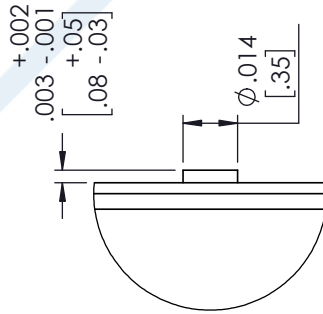
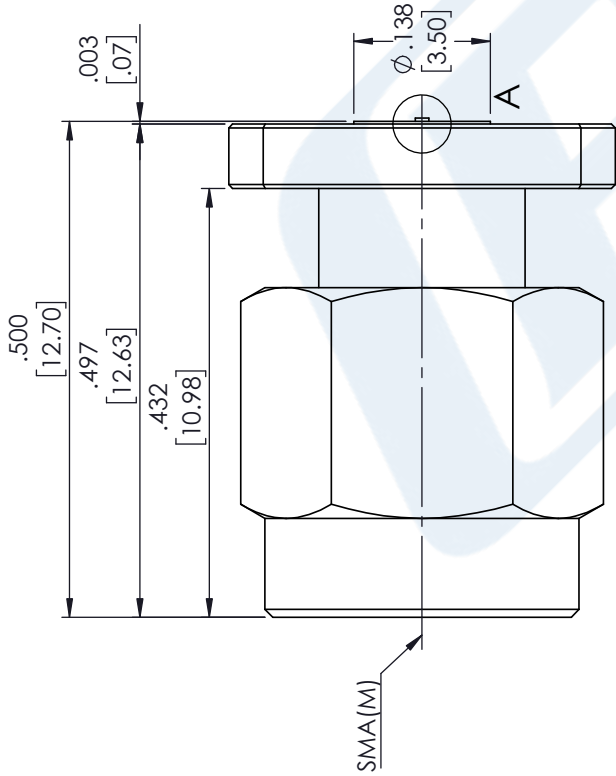
SMA Male Connector Clamp Attachment Vertical Launch  
PCB, Removable Stripline Launch



Recommended  
Top PCB Pattern



\* PCB : R04003C 8mil



DETAIL A

**STANDARD TOLERANCES**

.X ±0.2  
.XX ±0.01  
.XXX ±0.005

\*STANDARD TOLERANCES APPLY  
ONLY TO DIMENSIONS IN INCHES



Pasternack Enterprises, Inc.  
P.O. Box 16759 | Irvine | CA | 92623

Phone: (949) 261-1920 | Fax: (949) 261-7451

Website: [www.pasternack.com](http://www.pasternack.com) | E-Mail: [sales@pasternack.com](mailto:sales@pasternack.com)

DWG TITLE

PE45460

CAGE CODE 53919

NOTES:  
1. UNLESS OTHERWISE SPECIFIED ALL DIMENSIONS ARE NOMINAL.  
2. ALL SPECIFICATIONS ARE SUBJECT TO CHANGE WITHOUT NOTICE AT ANY TIME.  
3. DIMENSIONS ARE IN INCHES [mm].

CAD FILE 06/04/18

SCALE N/A

SIZE A

CN2379