

FIG-1

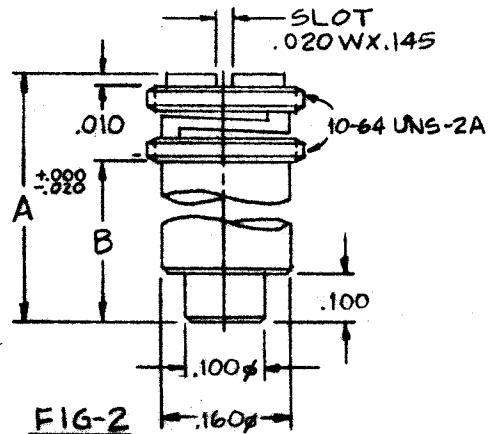


FIG-2

P/N	FIG.	A	B
L6997-0	1	.554	.450
-1	1	.210	.106
-2	1	.360	.256
-3	1	.450	.346
-4	1	.129	.025
-5	1	.284	.180
-6	2	.364	.256
-9	1	.750	.646
-10	1	.840	.736
-17	1	.146	.042
-18	1	.170	.066
-20	1	.605	.501

NOTES:

1. PRE-TORQUED AND LUBRICATED THREADS.
2. USED FOR HIGH Q VARIABLE REACTANCE TUNING OR MICROWAVE CAVITIES, FILTERS AND OTHER RESONANT STRUCTURES.

TUNING ROTORS (U.S. PAT. NO. Re30,406)



MANUFACTURING CORPORATION

Rockaway Valley Road, Boonton, N. J. 07005 (201) 334-2676

ELECTRONIC ACCURACY THROUGH MECHANICAL PRECISION

DRN. <i>Mow</i>	CHK. <i>David Dilige</i>	APP. <i>ryl</i>	SCALE <input checked="" type="checkbox"/>
DATE <i>13 APR 88</i>	DATE <i>5/3/88</i>	DATE <i>5/9/88</i>	.XX ± .015 .XXX ± .005

DRG. NO. <b>L6997</b>	DASH NO. <b>DASH NO.</b>	REV. <b>K</b>
--------------------------	-----------------------------	------------------