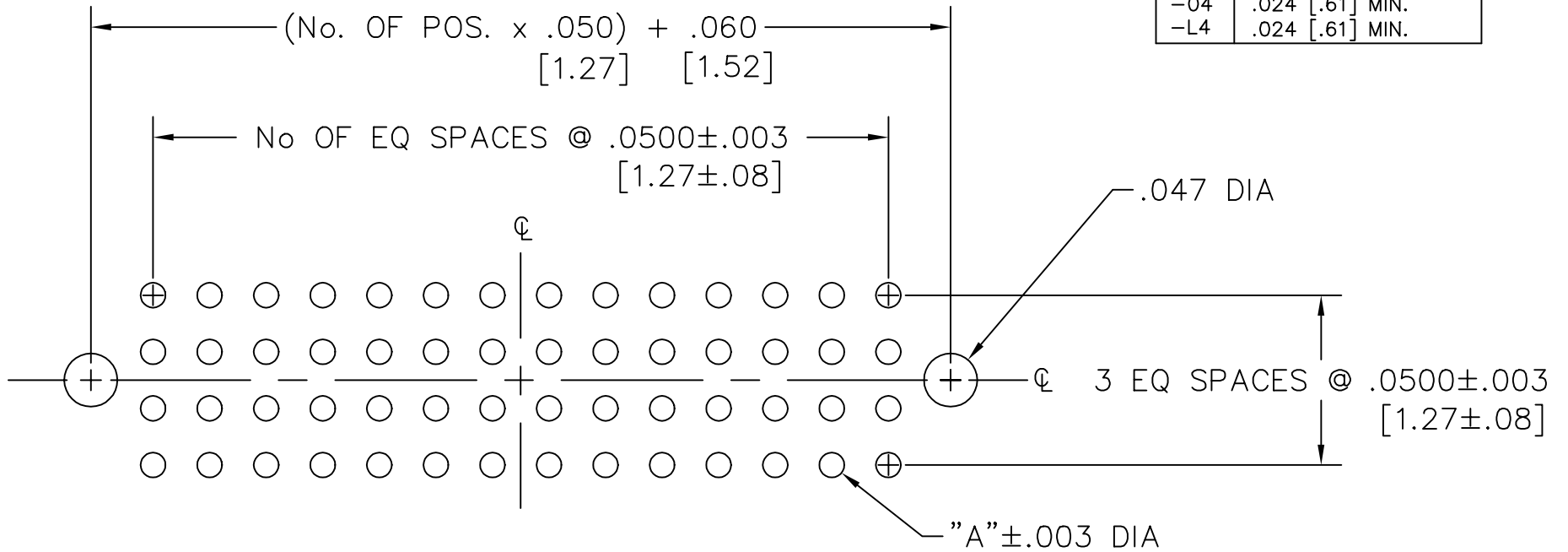


# RECOMMENDED BOARD LAYOUT FOR FOLC (QUAD)

REV. B

TABLE	
SUFFIX	"A" DIA
-X1	.022±.003 [.56±.08]
-04	.024 [.61] MIN.
-L4	.024 [.61] MIN.



MISC\MKTG\FOOTPRINT  
FOLC-TH

**samtec**

520 PARK EAST BLVD. NEW ALBANY, INDIANA 47150  
PHONE (812) 944-6733 P.O. BOX 1147

PLOT SCALE: 1 = .1