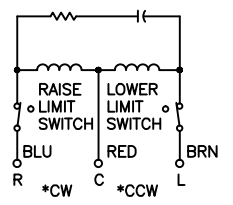
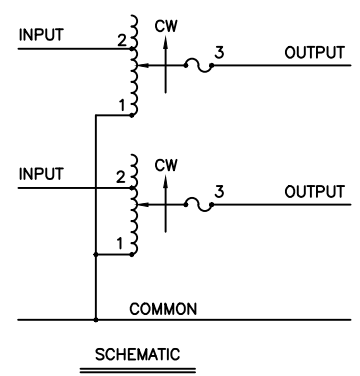
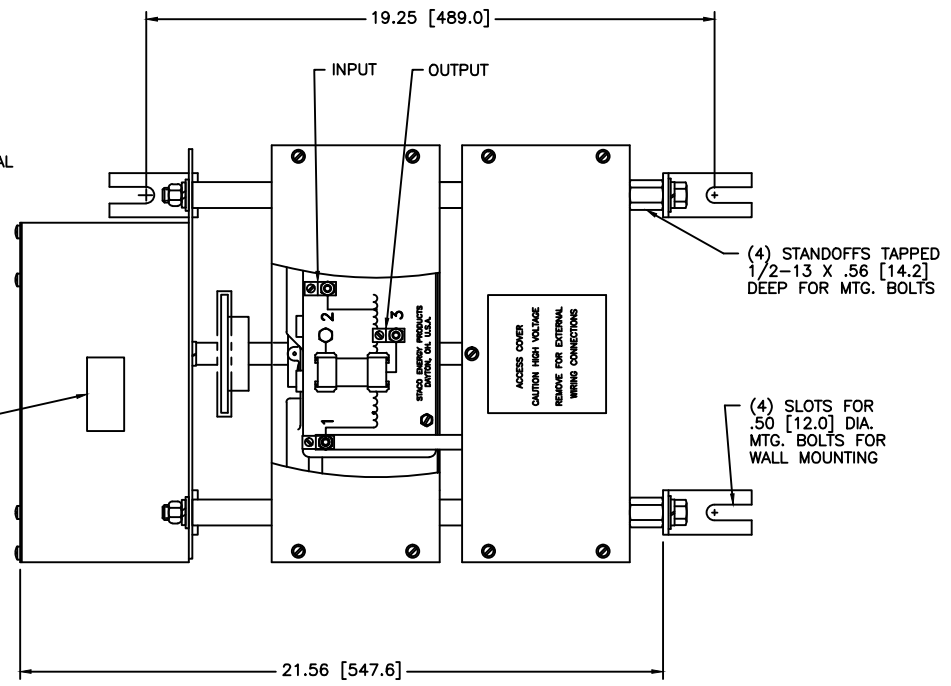


1/4-20 TERMINAL STUDS
 50 AMP FUSE
 NAMEPLATE



MOTOR CIRCUIT
 120V, 50/60 HZ
 * ROTATION AS VIEWED FROM MOTOR END
 MOTOR SPEED: SEE CHART

SPEED (SECONDS)	MODEL NUMBER
5	5M5011CT-2D
15	15M5011CT-2D
30	30M5011CT-2D
60	60M5011CT-2D

SPECIFICATIONS								
WIRING	INPUT		OUTPUT		SHAFT ROTATION TO INCREASE VOLTAGE	TERMINAL CONNECTIONS		
	VOLTS	HERTZ	VOLTS	MAX. AMPS		MAX. KVA	INPUT	OUTPUT
THREE PHASE OPEN DELTA	120	50/60	0-140	50	12.1	CW	2-1-2	3-1-3

<small>MAKES CHANGES SPECIFIED, TOLERANCE IS A STANDARD UNLESS OTHERWISE SPECIFIED. ALL DIMENSIONS ARE IN INCHES UNLESS OTHERWISE SPECIFIED.</small>		<small>USE IN INCHES</small>	<small>FIELD</small>
SPEC. CONTROL DWG. VARIABLE TRANSFORMER TYPE: M5011CT-2D			
<small>DESIGNED BY</small> T.SNAY	<small>DATE</small> 2/28/05	<small>FIRST USED ON</small> 	<small>REV. NO.</small>
<small>CHECKED BY</small> SHORE	<small>DATE</small> 3/1/05	<small>REVISION APPROVAL</small> 	<small>DATE CODE</small> 83008
<small>DESIGNED BY</small> F. SEALE	<small>DATE</small> 3/1/05	<small>SCALE</small> .5=1	<small>REV. NO.</small> D

