

1. 製品名称／PRODUCT NAME : MICRO-LOCK PLUS 2.0 W/B SINGLE ROW VERTICAL SMT PLUG ASSEMBLY
EMBOSSSED TAPE PACKAGING

製品番号／PART NUMBER : 505575**2☆、505575**3☆、505575**4☆
505575**5☆、505575**6☆、505575**7☆
505575**8☆、505575**9☆

(**は極数を示す。☆は色を示す。図面参照。)

(** SHOWS CIRCUITS SIZE. ☆ SHOWS COLOR. REFER TO DRAWING.)

2. 標準梱包数／STANDARD PACK QUANTITY

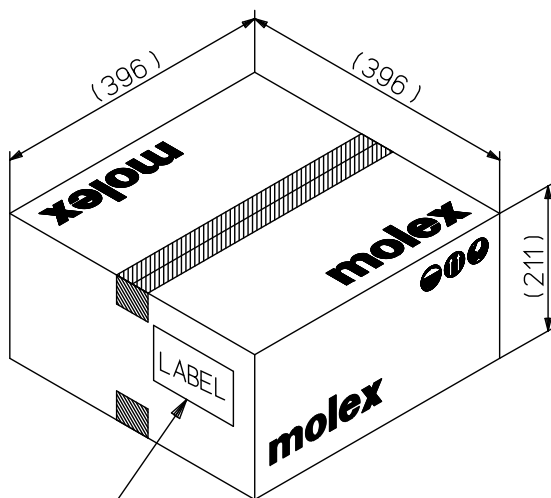
極数 CKT. SIZE	キャリア テープ幅 (mm) CARRIER TAPE WIDTH (mm)	1 リール中の製品数 QTY. PER REEL	外装カートン SHIPPING CARTON	
			梱包リール数 NUMBER OF REELS	製品数 QUANTITY
2	24	600	6	3,600
3				
4				
5				
6	32	600	4	2,400
7				
8	44	600	3	1,800
9				
10				
11				
12				
13				
14	56	600	3	1,800
15				
16				

THIS DOCUMENT CONTAINS INFORMATION THAT IS PROPRIETARY TO MOLEX ELECTRONIC TECHNOLOGIES, LLC AND SHOULD NOT BE USED WITHOUT WRITTEN PERMISSION

REVISION DESCRIPTION	REVISED	SALES PACKAGING SPECIFICATION FOR 505575					
CHANGE NO.	742072						
REVISED BY	YTOKUZONO	DATE	2020/01/07	DOC TYPE	DOC TYPE DESCRIPTION	DOC PART	SERIES
REV APPR BY	HSHIMOYAMA	DATE	2023/03/15	PS	ENGINEERING SPECIFICATION WORD	200	505575
INITIAL RELEASE			CUSTOMER		DOCUMENT NUMBER		REVISION SHEET
INITIAL DRWN	YTOKUZONO	DATE	2016/12/06	GENERAL	5055759200	B	1 OF 2
INITIAL APPR	MSASAO	DATE	2016/12/06				

3. カートン外形参考寸法 / CARTON OUTER DIMENSIONS (REFERENCE PURPOSE ONLY)

単位 / UNIT: mm



カートンラベル
CARTON LABEL

(製品型番, 数量, ロットNO. 表示)
INDICATION OF PART No., QUANTITY, LOT No.

標準カートン
STANDARD CARTON

THIS DOCUMENT CONTAINS INFORMATION THAT IS PROPRIETARY TO MOLEX ELECTRONIC TECHNOLOGIES, LLC AND SHOULD NOT BE USED WITHOUT WRITTEN PERMISSION

REVISION DESCRIPTION	REVISED			SALES PACKAGING SPECIFICATION FOR 505575			
CHANGE NO.	742072						
REVISED BY	YTOKUZONO	DATE	2020/01/07	DOC TYPE	DOC TYPE DESCRIPTION	DOC PART	SERIES
REV APPR BY	HSHIMOYAMA	DATE	2023/03/15	PS	ENGINEERING SPECIFICATION WORD	200	505575
INITIAL RELEASE				CUSTOMER	DOCUMENT NUMBER	REVISION	SHEET
INITIAL DRWN	YTOKUZONO	DATE	2016/12/06	GENERAL	5055759200	B	2 OF 2
INITIAL APPR	MSASAO	DATE	2016/12/06				