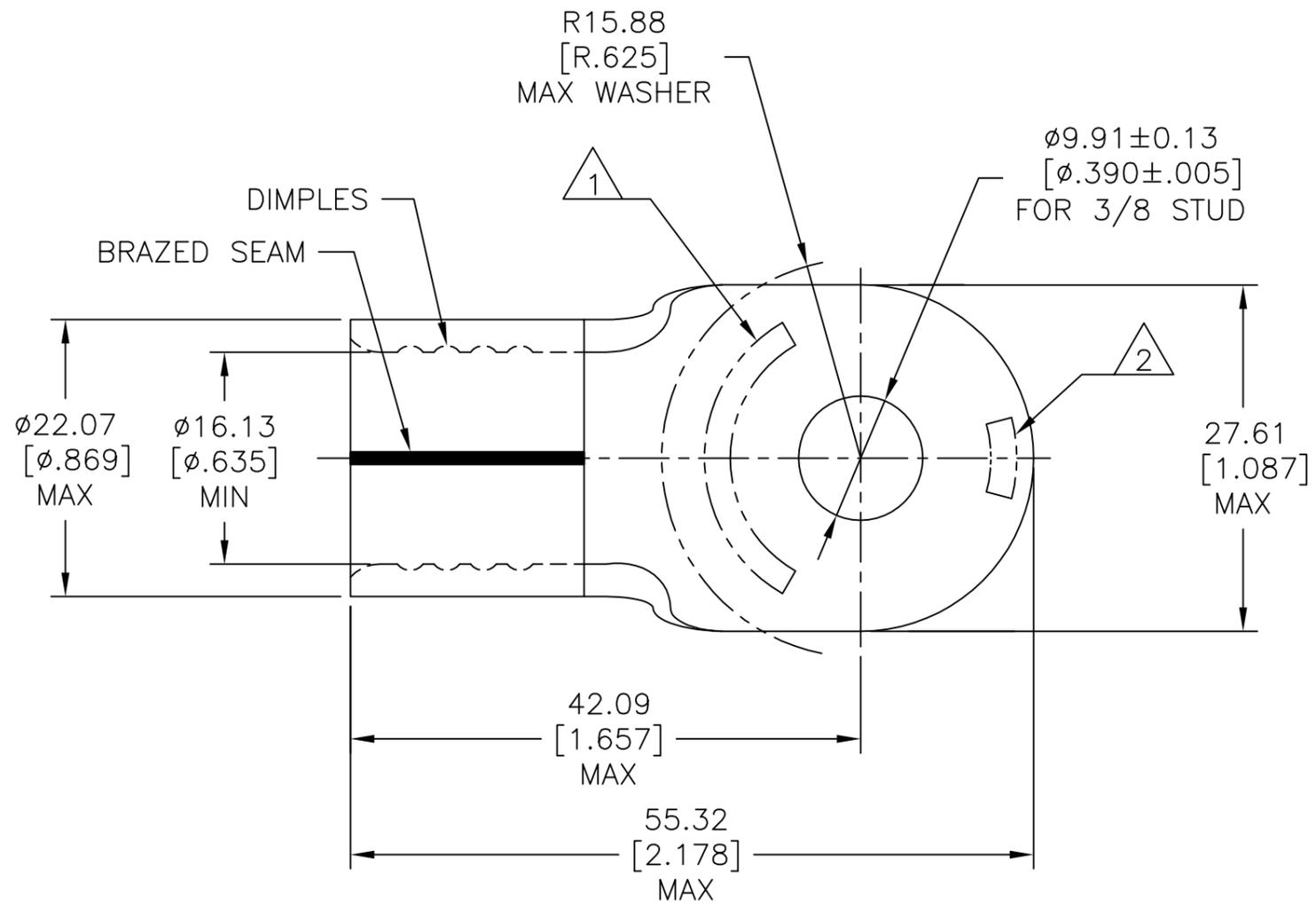


REVISIONS					
P	LTR	DESCRIPTION	DATE	DWN	APVD
	H2	REVISED PER ECO-12-002699	13FEB12	KH	DR
	H3	REVISED PER ECO-17-004099	28AUG2017	RS	DR

<b>AMP</b> WIRE RANGE	E13288 Listed
4/0 AWG SOLID OR STRANDED	4/0 AWG SOLID OR STRANDED
LR7189 Certified	MILITARY P/N AND CLASS
4/0 AWG SOLID OR STRANDED	MS 20659-123 CLASS 2



- 1 STAMP AMP 4/0W\* APPROX AS SHOWN.
- 2 STAMP AMP 200 APPROX AS SHOWN.
- 3 MATERIAL THK: 2.59±0.08 [.102±.003].
- 4 TIN PLATE 0.00254[.000100] MIN EXT. THK PER ASTM B545.
- 5 NICKEL PLATE 0.00762[.000300] MIN EXT THK PER SAE AMS QQ-N-290.
- 6 PART IS NOT UL LISTED OR CSA CERTIFIED OR MILITARY QUALIFIED.

6 5 4	343°C [650°F]	50	LOOSE PIECE	321878-1
	170°C [338°F]			321878
	RECOMMENDED OPERATING TEMP.	QTY.	PACKAGE TYPE	PART NUMBER

**AMP INCORPORATED**  
**CUSTOMER SERVICE SYSTEMS**

FOR ADDITIONAL PRODUCT INFORMATION OR COPIES OF DRAWINGS AND TECHNICAL DOCUMENTS  
 PRODUCT INFORMATION CENTER  
 1-800-522-6752

FOR APPLICATION TOOLING INFORMATION  
 TOOLING ASSISTANCE CENTER  
 1-800-722-1111

FOR ORDER ENTRY  
 1-800-526-5142

MAX RECOMMENDED OPERATING TEMPERATURE:  
 SEE TABLE

VOLTAGE RATING:  
 NOT APPLICABLE

WIRE CROSS SECTIONAL AREA RANGE:  
 96.3-117.0mm<sup>2</sup>[190,000-231,100] CIR MILS  
 SOLID OR STRANDED

THIS DRAWING IS A CONTROLLED DOCUMENT.

DIMENSIONS: mm [INCHES]

TOLERANCES UNLESS OTHERWISE SPECIFIED:

0 PLC	± -
1 PLC	± -
2 PLC	± 0.20[.008]
3 PLC	± -
4 PLC	± -
ANGLES	± -

MATERIAL: COPPER PER ASTM B-152 ANNEALED

FINISH:

DWN: DK SCHRUM 5/25/93  
 CHK: RD HEIM 1/27/94  
 APVD: RE ROSER 1/27/94

**STE** TE Connectivity

NAME: TERMINAL, RING TONGUE, SOLISTRAND, STRATO-THERM, 4/0 AWG

SIZE: A3 CAGE CODE: 00779 DRAWING NO: C-321878 RESTRICTED TO: -

WEIGHT: -

CUSTOMER DRAWING SCALE: 2:1 SHEET: 1 OF 1 REV: H3