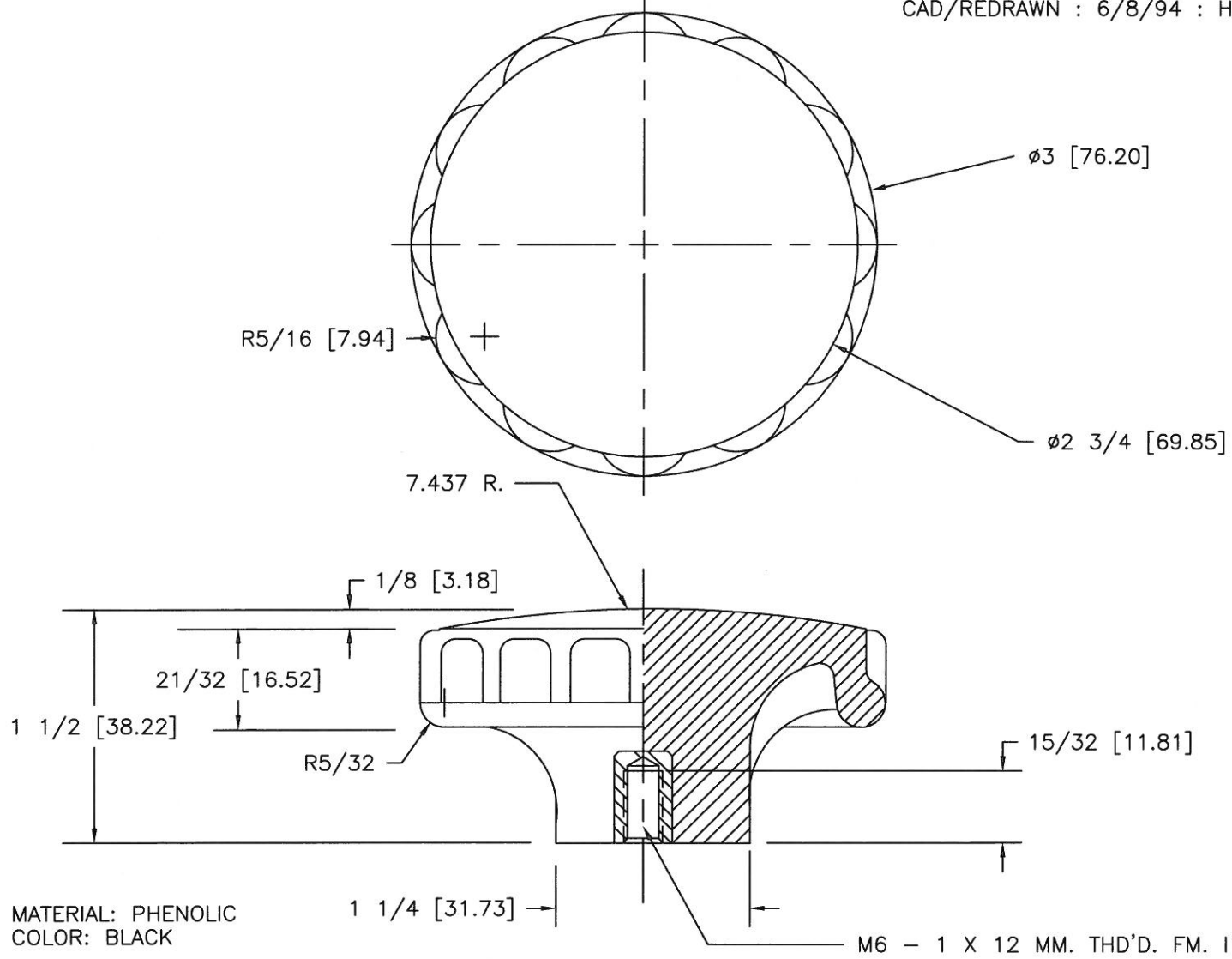


PART NAME: KNOB SCALE: 1:1 DATE: 6/1/89 DR. BHD
 THIS DRAWING IS THE PROPERTY OF DAVIES MOLDING COMPANY, IS SUBMITTED SOLELY AS A DESIGN OR ENGINEERING PROJECT.
 WE ACCEPT NO RESPONSIBILITY WHATSOEVER FOR THE PRACTICAL APPLICATION OF THE PIECES MADE TO THIS DESIGN.

DAVIES MOLDING DESIGNERS & MANUFACTURERS OF KNOBS, HANDLES, CASES & CUSTOM PLASTIC COMPONENTS

| | |
|--------------|----------|
| P/N 3018-E | |
| M NO. 5247-9 | |
| CAV. | 5247-9 |
| PLUNGER | 3018 |
| PINS | 5247-9-A |
| PINS | 5247-9-E |
| INSERT | I1043 |
| SHIM | .062 |

CAD/REDRAWN : 6/8/94 : HD



MATERIAL: PHENOLIC
 COLOR: BLACK

| | | | | |
|---|----------------------------------|---------|--|--|
| TOLERANCES: UNLESS OTHERWISE SPECIFIED | DO NOT SCALE DRAWING | | | |
| DECIMALS: X.XXX ± .005 X.XX ± .015 | MM: X.XX ± 0.15MM X.X ± 0.4MM | | | |
| FRACTIONS ± 1/64 | ANG. ± 1° | CHANGES | | |