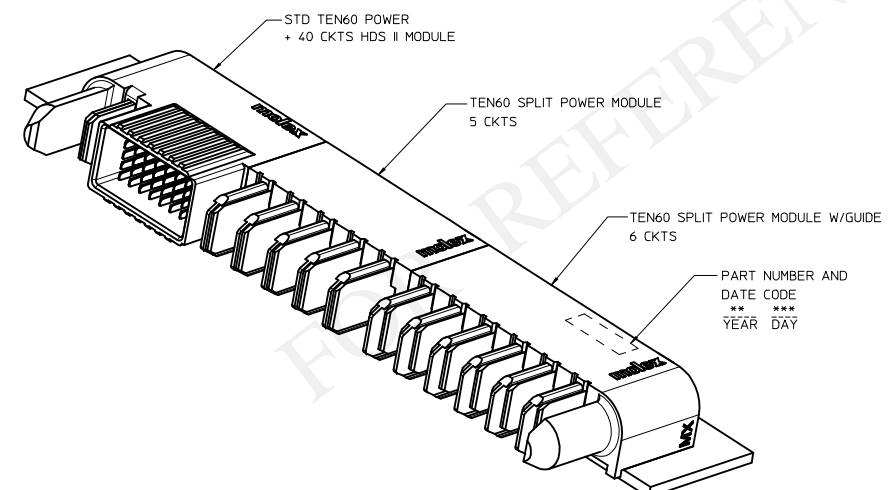
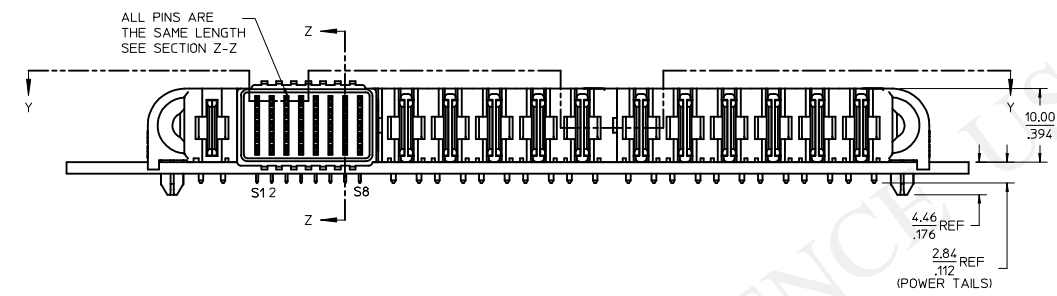
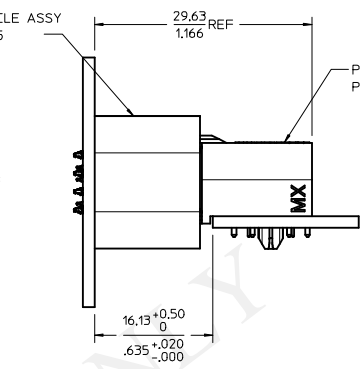
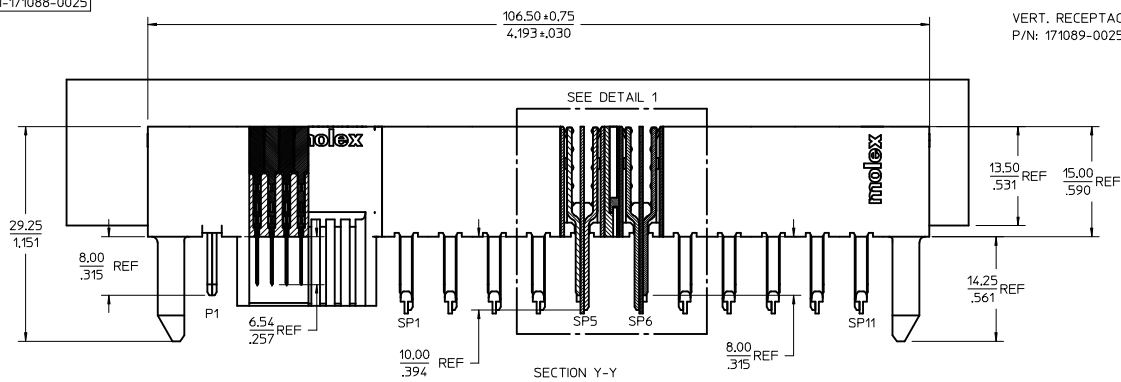
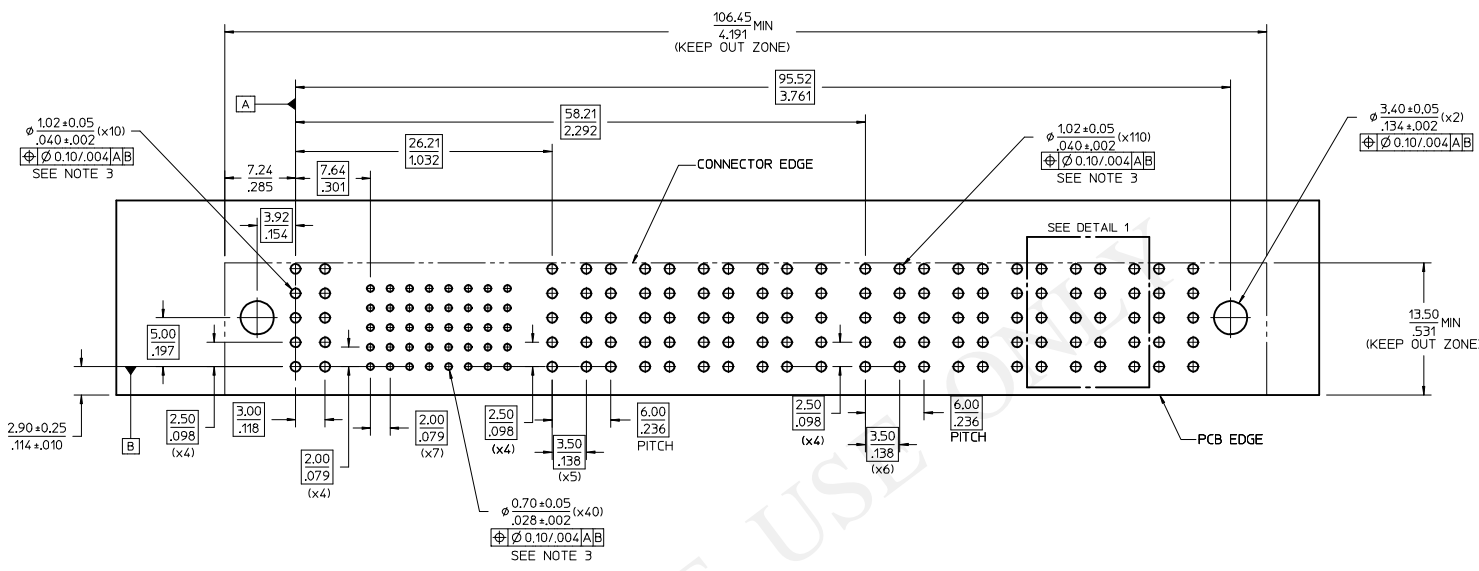


3D MODEL NO.: TM-171088-0025

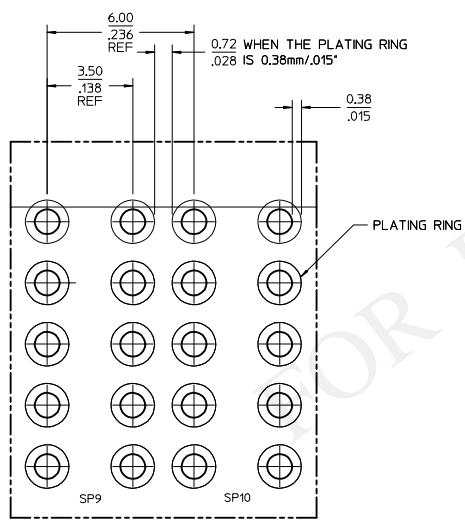


- NOTES:
1. MATERIAL:
 - HOUSINGS: LCP UL94, Y-0, COLOR : BLACK
 - TERMINALS: HIGH CONDUCTIVITY COPPER ALLOY
 - PLATING: 127 MICROMETER (50 MICROINCH) NICKEL OVERALL WITH 2.54 MICROMETER (100 MICROINCH) SELECTIVE TIN ON TAILS AND 0.762 MICROMETER (30 MICROINCH) SELECTIVE GOLD ON CONTACT AREA
 2. PACKAGING: ASSEMBLIES TO BE TRAY PACKED PER PACKAGING SPEC: TBD
 3. PLATED THRU HOLE SIZE REFERS TO PS-171088-0000 FOR DETAILS
 4. PRODUCT SPEC: PS-171088-0000
 5. APPLICATION SPEC: AS-46436-100
 6. PRODUCT TO MEET ROHS REQUIREMENTS
 7. ASSEMBLY MATES TO MOLEX RECEPTACLE ASSEMBLY P/N 171089-0025
 8. TAIL DESIGN: SOLDER TAIL
 9. SIGNAL CONTACTS ARE LUBRICATED.

ENTER DESCRIPTION IEC NO. UCP2013-1517 DRAWN BY: 2012/10/10 CHKD: APPR: VLN 4	QUALITY SYMBOLS	GENERAL TOLERANCES (UNLESS SPECIFIED)	DIMENSION STYLE	SCALE	DESIGN UNITS	THIRD ANGLE PROJECTION
	▽=0	mm INCH	MM/IN	3:1	METRIC	☉
	▽=0	4 PLACES ± --- ± ---	DRAWN BY DATE	TITLE		
	▽=0	3 PLACES ± --- ± ---	APPROVED BY DATE	TEN60 SPLIT POWER PLUG ASSY G-1P-40S-5SP-6SP-G		
	2 PLACES ± 0.13 ± ---		MATERIAL NO. 171088-0025			
	1 PLACE ± 0.25 ± ---		DOCUMENT NO. SD-171088-0025			
	0 PLACE ± --- ± ---		SHEET NO. 1 OF 3			
DRAFT WHERE APPLICABLE MUST REMAIN WITHIN DIMENSIONS		THIS DRAWING CONTAINS INFORMATION THAT IS PROPRIETARY TO MOLEX INCORPORATED AND SHOULD NOT BE USED WITHOUT WRITTEN PERMISSION				



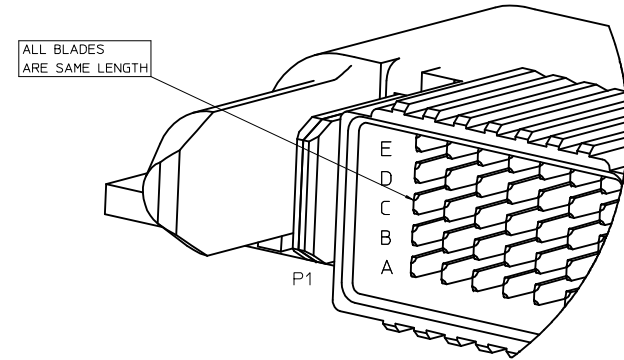
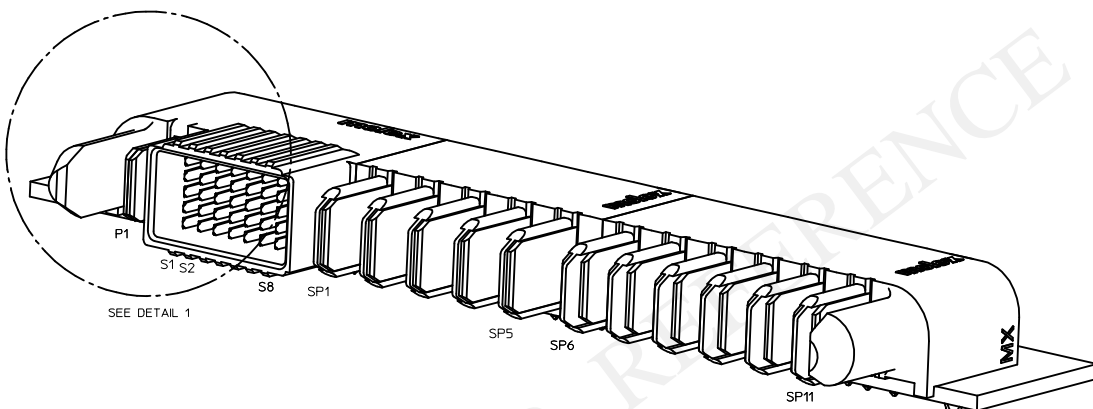
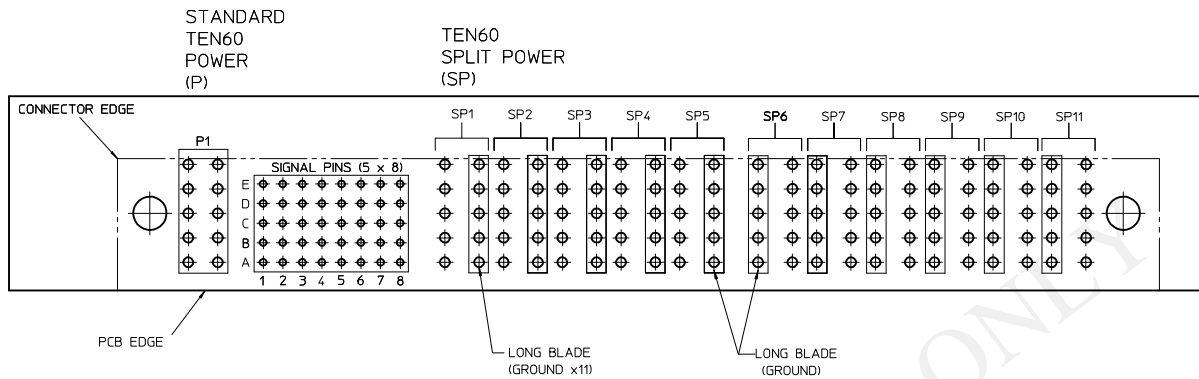
RECOMMENDED PCB LAYOUT AND KEEP OUT ZONE
(SEE SHEET 3 FOR PIN ASSIGNMENT)



DETAIL 1
SCALE 10:1

ENTER DESCRIPTION IEC NO. UCP2013-1517 DRAWN/LIN CHKD: APPR:VLIN 4 2012/10/10 2012/10/17 DESCRIPTION	QUALITY SYMBOLS	GENERAL TOLERANCES (UNLESS SPECIFIED)	DIMENSION STYLE	SCALE	DESIGN UNITS	THIRD ANGLE PROJECTION
	▽=0	4 PLACES ± mm INCH	MM/IN	4:1	METRIC	☉
	▽=0	3 PLACES ± 0.13				
	▽=0	2 PLACES ± 0.25				
DRAFT WHERE APPLICABLE MUST REMAIN WITHIN DIMENSIONS		ANGULAR ±1/2°	DRAWN BY	DATE	TITLE	
			VLIN	2012/09/13	TEN60 SPLIT POWER PLUG ASSY	
			CHECKED BY	DATE	G-1P-40S-5SP-6SP-G	
			APPROVED BY	DATE	molex	
			VLIN	2012/10/10		
			MATERIAL NO.	DOCUMENT NO.		
			171088-0025	SD-171088-0025		
			SIZE			SHEET NO.
			D			2 OF 3
THIS DRAWING CONTAINS INFORMATION THAT IS PROPRIETARY TO MOLEX INCORPORATED AND SHOULD NOT BE USED WITHOUT WRITTEN PERMISSION						

PCB PIN ASSIGNMENT



DETAIL 1
SCALE 8:1

FOR REFERENCE USE ONLY

ENTER DESCRIPTION IEC NO. UCP2013-1517 DRAWN BY: CHYK CHKD: APPR:VLIN 2012/10/10 2012/10/17	QUALITY SYMBOLS ▽=0 ▽=0 ▽=0	GENERAL TOLERANCES (UNLESS SPECIFIED) mm INCH 4 PLACES ± --- ± --- 3 PLACES ± --- ± --- 2 PLACES ± 0.13 ± --- 1 PLACE ± 0.25 ± --- 0 PLACE ± --- ± --- ANGULAR ±1/2° DRAFT WHERE APPLICABLE MUST REMAIN WITHIN DIMENSIONS	DIMENSION STYLE MM/IN DRAWN BY: VLIN DATE: 2012/09/13 CHECKED BY: VLIN DATE: 2012/10/10 APPROVED BY: VLIN DATE: 2012/10/10	SCALE 4:1 DESIGN UNITS METRIC THIRD ANGLE PROJECTION	TITLE TEN60 SPLIT POWER PLUG ASSY G-1P-40S-5SP-6SP-G molex	MATERIAL NO. 171088-0025	DOCUMENT NO. SD-171088-0025	SHEET NO. 3 OF 3
	THIS DRAWING CONTAINS INFORMATION THAT IS PROPRIETARY TO MOLEX INCORPORATED AND SHOULD NOT BE USED WITHOUT WRITTEN PERMISSION							
	SIZE D							
	REV 4							