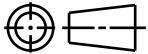


CATIA V5

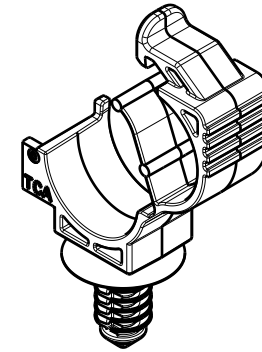
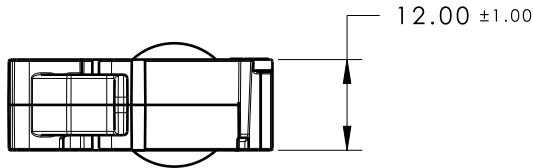


Revision Level			Revision Record	Changed	Date	Approved	Date
Drawing	State	Part					
03.1	Design Release	D	SEE ECN# 014514	KVH	08/01/18	CJR	08/03/18

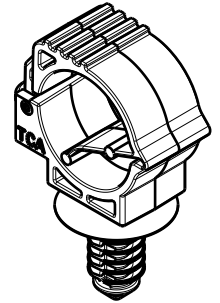
REFERENCE:

PERFORMANCE REQUIREMENTS:

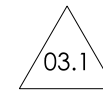
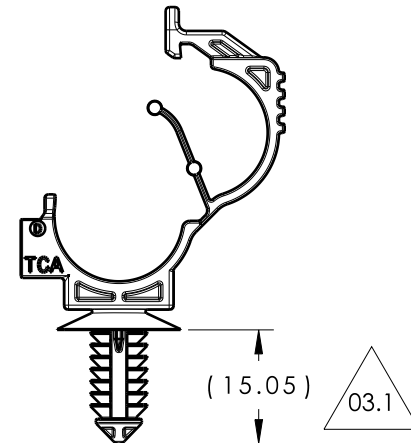
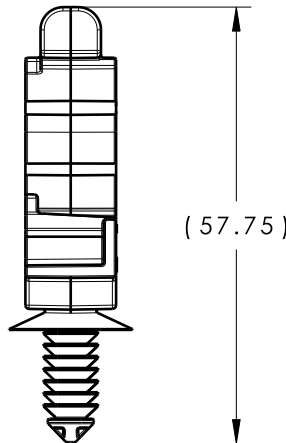
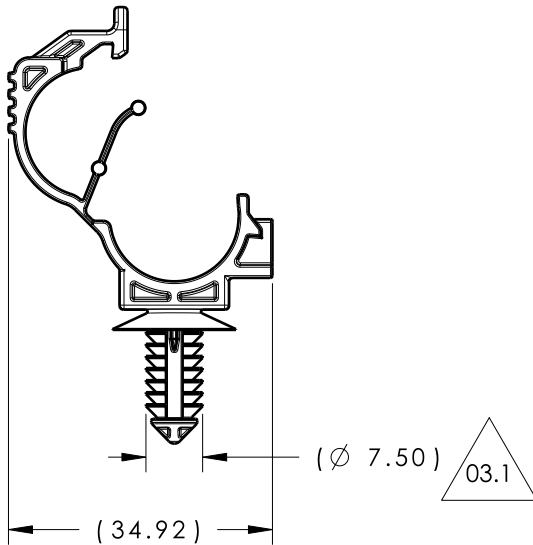
1. CIRCULAR HOLE DIAMETER RANGE: 6.1 TO 7.0mm
2. APPLICABLE HEX HOLE: 6.35mm +/- 0.25mm
3. PANEL THICKNESS RANGE: 0.6 TO 8.25mm



ISOMETRIC VIEW
OPEN POSITION



ISOMETRIC VIEW
CLOSED POSITION



GLOBAL PART DESCRIPTION	MATERIAL	COLOR
LOC10-14FT6LG-PA66HIRHSUV-BK	PA66HIRHSUV	BLACK
LOC10-14FT6LG-PA46-GY	PA46	GRAY

Material
SEE CHART
COLOR: SEE CHART

Units millimeters
Tolerance defined on each dimension

The copyright of this drawing is reserved by HellermannTyton. It is issued on condition that it is not reproduced, copied or disclosed to a third party, either wholly or in part, without the consent of HellermannTyton.

Drawn KVH 9/28/12
Approved SJA 10/10/12

HellermannTyton

North America
Email: corp@htamericas.com
Web: www.hellermann.tyton.com

Article/Type-No LOC10-14FT6LG
Title LOCKING OMEGA CLIP WITH FIR TREE (10 TO 14mm BUNDLE)
Drawing-No PRODUCTION : Phase
11-0594-011-CSU

Scale 1:1
Project Number 11-0594
Format AH
Sheet 1/1