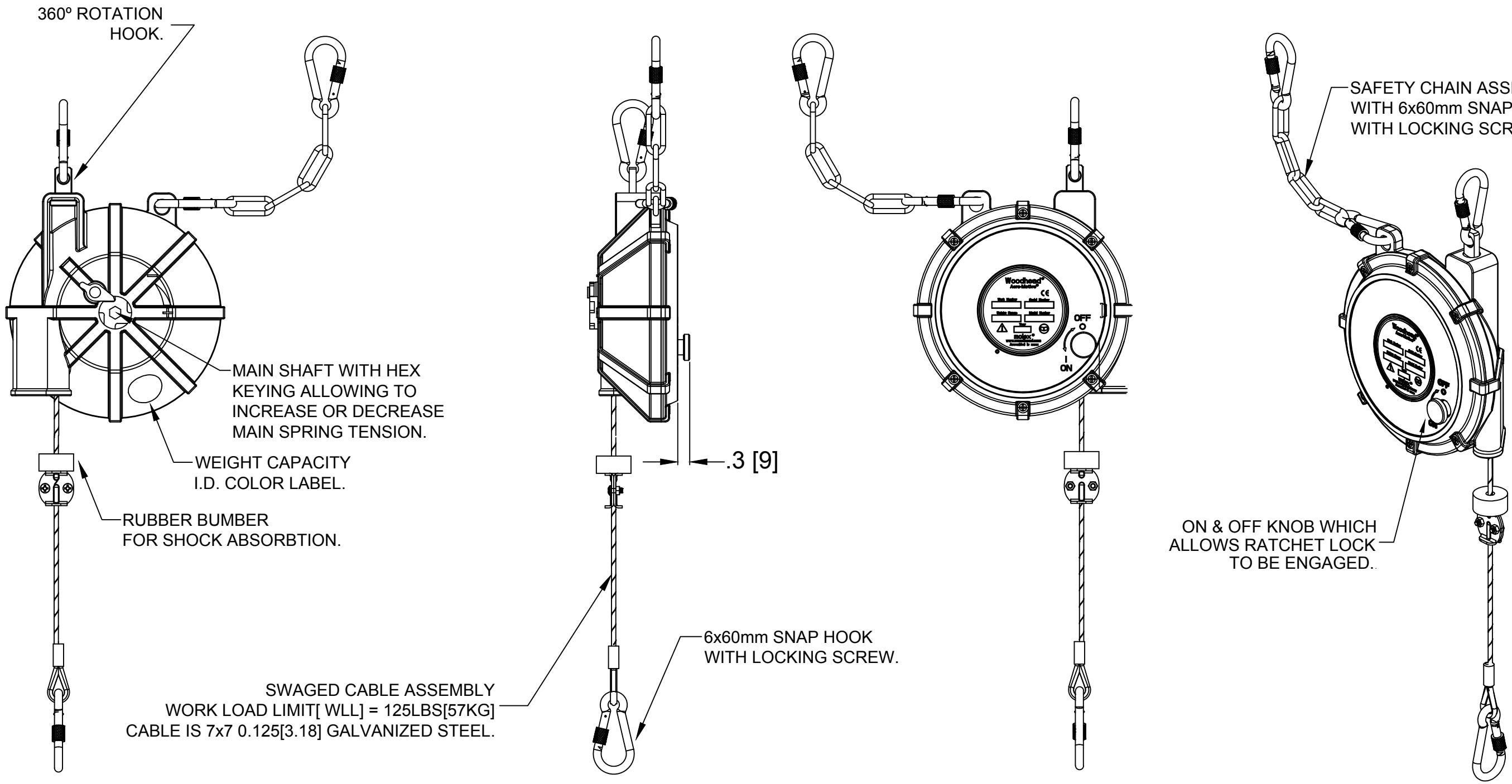


10 9 8 7 6 5 4 3 2 1

F  
E  
D  
C  
B



- NOTES:
- BALANCERS ARE 100% INSPECTED & PRE-TENSIONED AT FACTORY.
  - HOUSINGS ARE MADE FROM ABS CHEMICAL RESISTANT TO MEET HARSH INDUSTRIAL ENVIRONMENTS. COLOR IS BLUE RAL5017.
  - ALWAYS READ INSTRUCTIONS MANUAL BEFORE USING BALANCERS.
  - BALANCERS ARE NOT TO BE USED AS RETRACTORS THEIR MAIN PURPOSE BEING TO BALANCE A LOAD AND NOT TO RETRACT ONE.
  - OVERALL DIMENSIONS ARE FOR REFERENCE ONLY.

RELEASE TO SALES EC NO: IPG2012-0310 DRWN: MCHOJECK CHKD: --- APPR: DTITUS 3/6/12 2010/03/11 DESCRIPTION REV	QUALITY SYMBOLS	GENERAL TOLERANCES (UNLESS SPECIFIED)		DIMENSION STYLE		SCALE	DESIGN UNITS	THIRD ANGLE PROJECTION		
	▽=0 ∇=0	mm	INCH	IN/MM		NTS	INCH			
		4 PLACES	±-	±-	DRAWN BY	DATE	TITLE			
		3 PLACES	±-	±-	RH	2009/03/03	"AB" BALANCERS STD & W/ RATCHET LOCK 1-11 LBS WEIGHT RANGE			
		2 PLACES	±-	±-	CHECKED BY	DATE				
	1 PLACE	±-	±-	DT	2009/03/03	Molex MOLEX INCORPORATED				
	ANGULAR ±1°			APPROVED BY	DATE					
	DRAFT WHERE APPLICABLE MUST REMAIN WITHIN DIMENSIONS			DTITUS	2010/03/11	DOCUMENT NO.		SHEET NO.		
		SEE TABLE			SD-130237-001		1 OF 3			
	SIZE B	THIS DRAWING CONTAINS INFORMATION THAT IS PROPRIETARY TO MOLEX INCORPORATED AND SHOULD NOT BE USED WITHOUT WRITTEN PERMISSION								

10 9 8 7 6 5 4 3 2 1

F  
E  
D  
C  
B

A

10 9 8 7 6 5 4 3 2 1

F

E

D

C

B

A

F

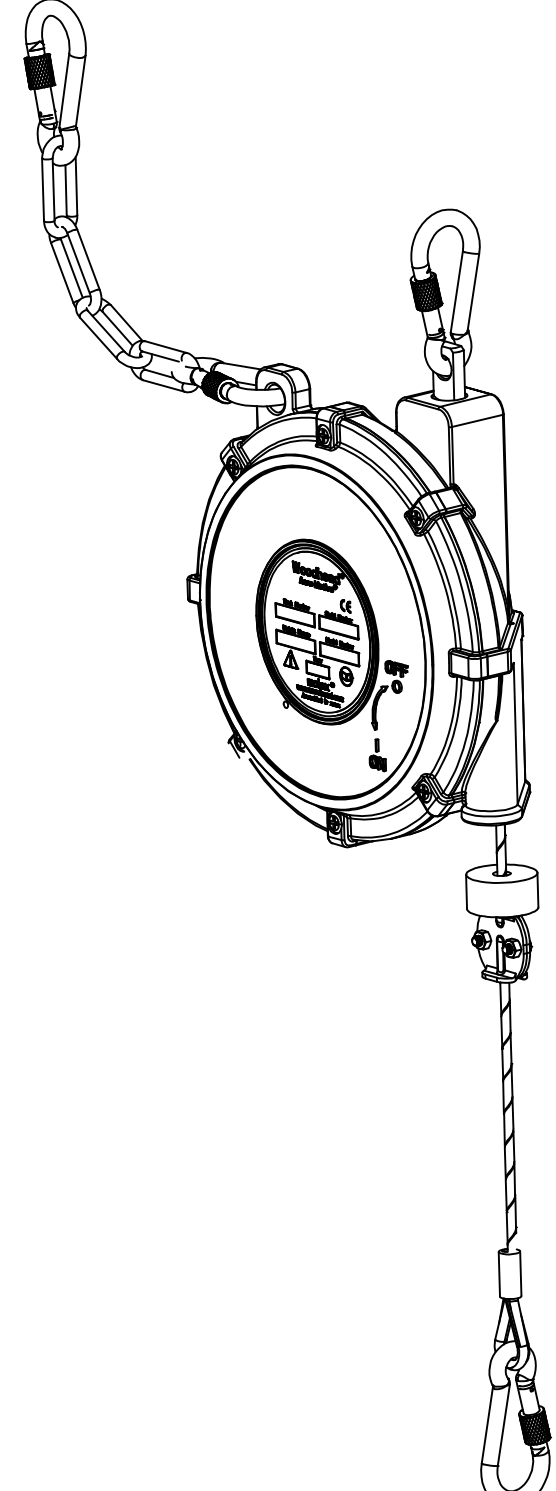
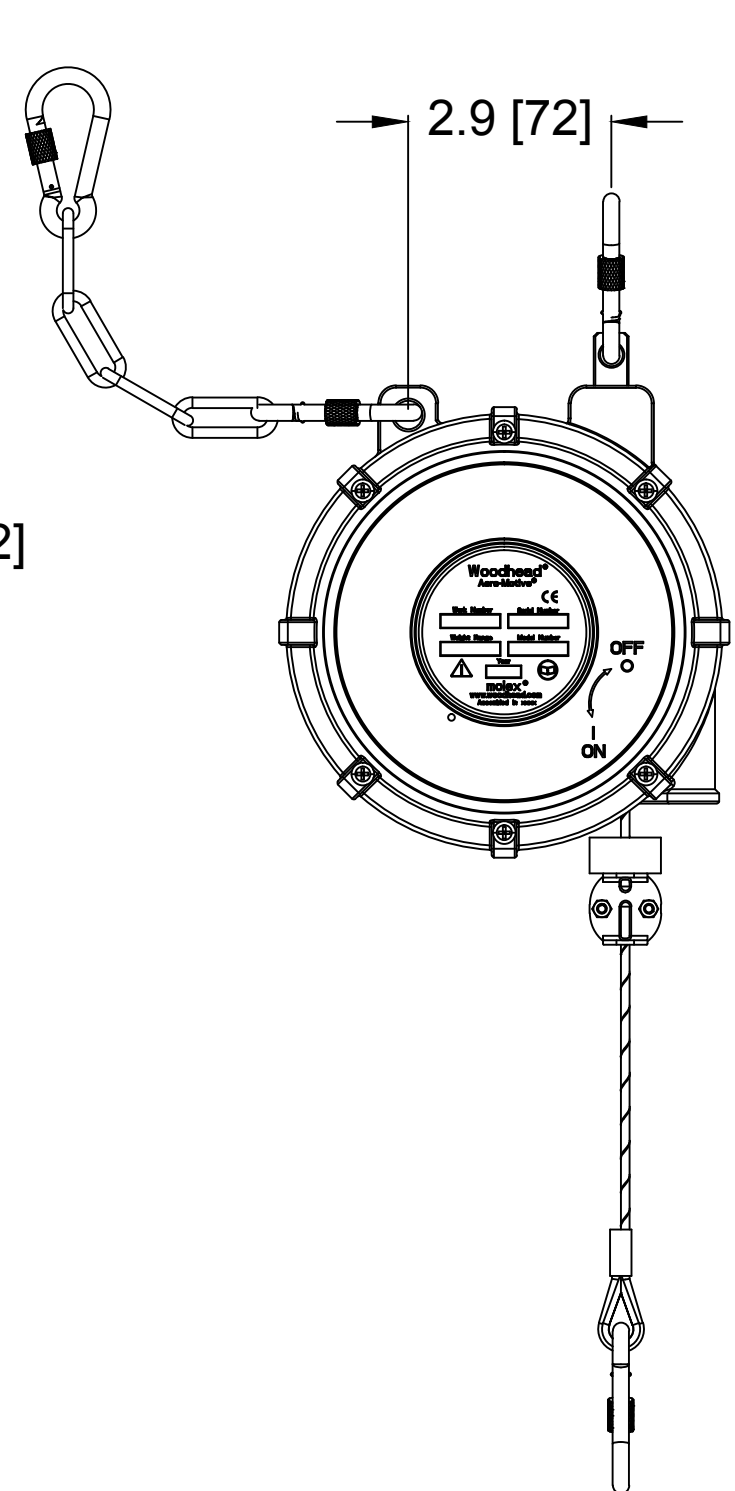
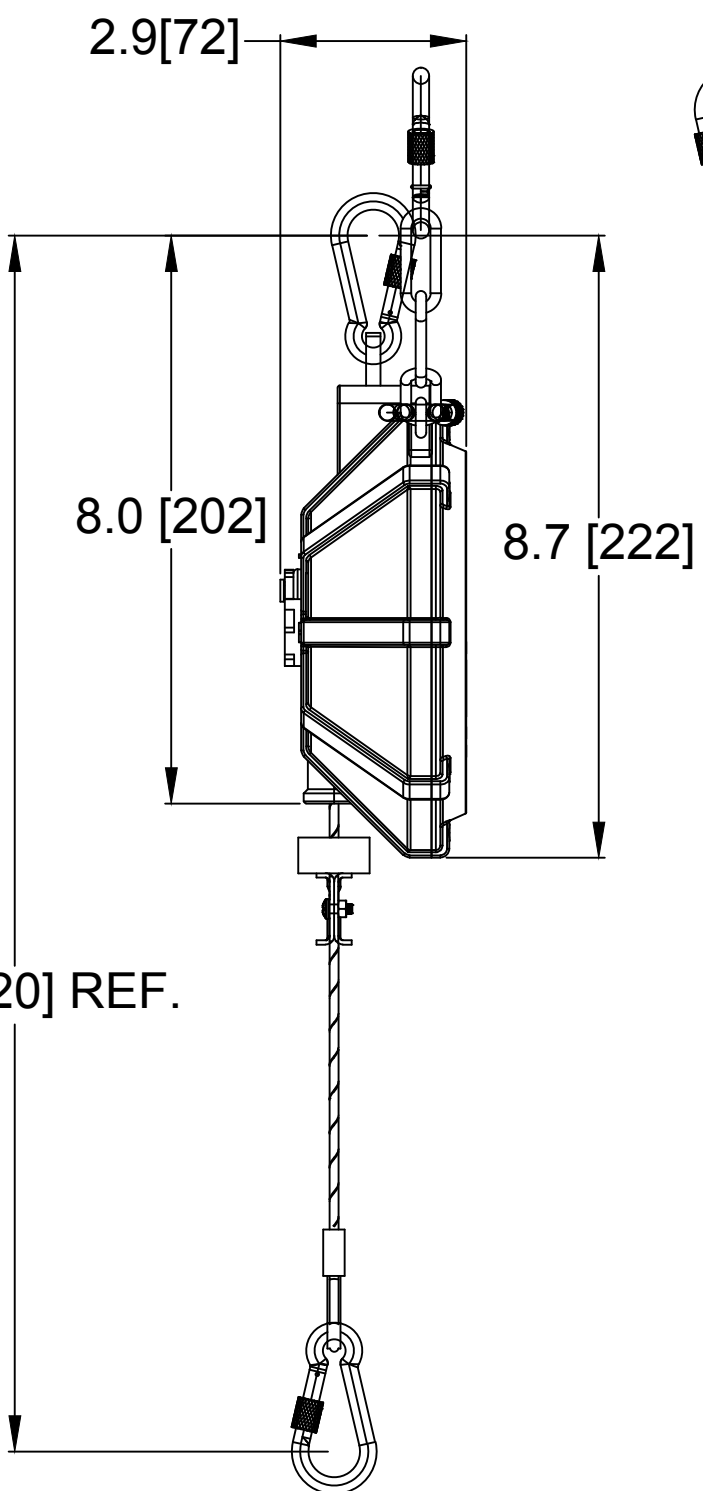
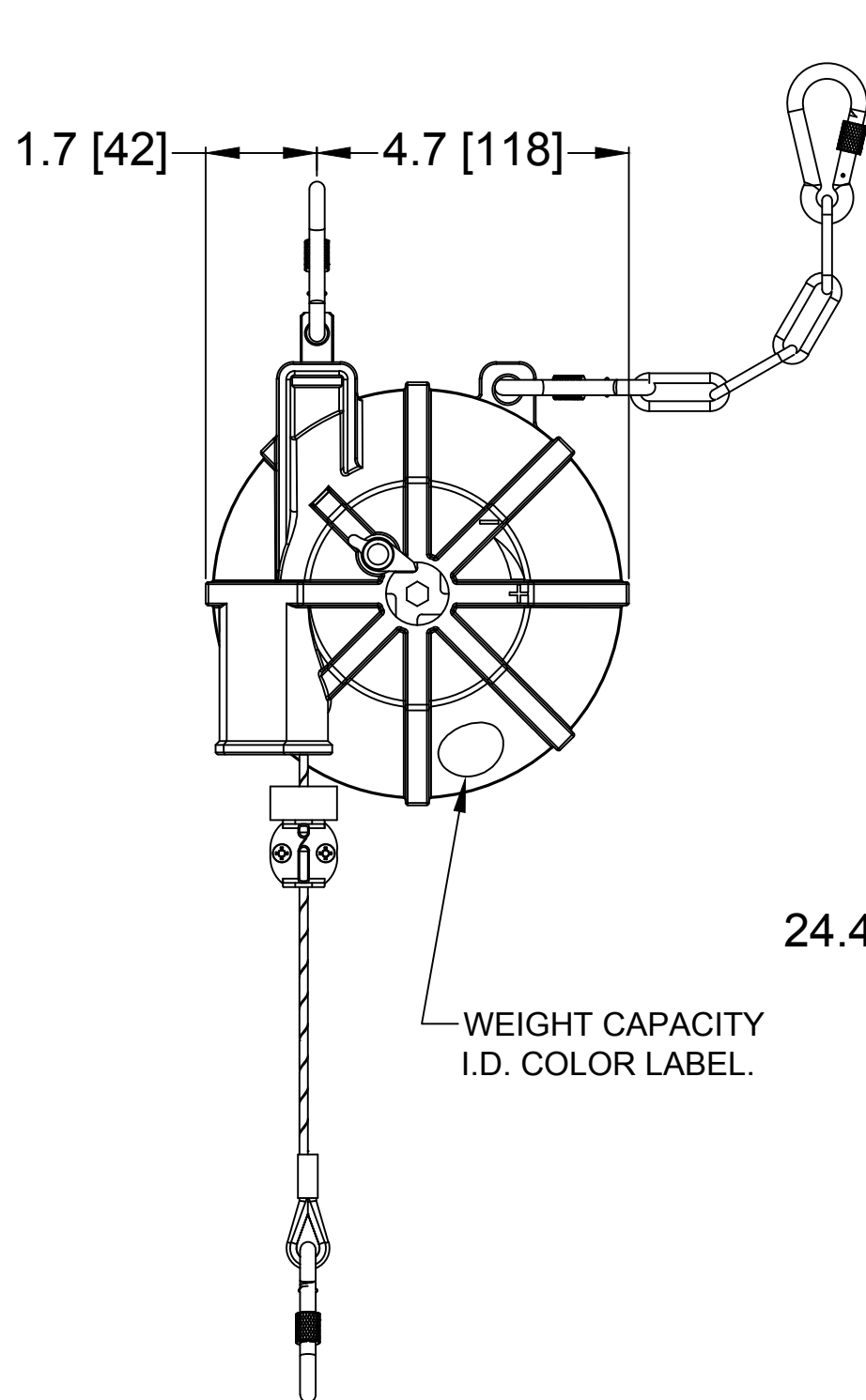
E

D

C

B

A



10 9 8 7 6 5 4 3 2 1

RELEASE TO SALES EC NO: IPG2012-0310 DRWN: MCHOJECK CHKD: --- APPR: DTITUS 2010/03/11	3/6/12 2010/03/11 DESCRIPTION REV	QUALITY SYMBOLS	GENERAL TOLERANCES (UNLESS SPECIFIED)		DIMENSION STYLE		SCALE	DESIGN UNITS	THIRD ANGLE PROJECTION			
		$\nabla=0$ $\sphericalangle=0$	mm	INCH	IN/MM	NTS	INCH	TITLE <b>"AB" BALANCERS                  STD &amp; W/ RATCHET LOCK                  1-11 LBS WEIGHT RANGE</b>				
		4 PLACES ±- ±- 3 PLACES ±- ±- 2 PLACES ±- ±- 1 PLACE ±- ±- ANGULAR ±1°	DRAWN BY DATE		DATE							
		DRAFT WHERE APPLICABLE MUST REMAIN WITHIN DIMENSIONS	SEE TABLE		APPROVED BY DATE		MATERIAL NO.		DOCUMENT NO.		SHEET NO.	
			DTITUS 2010/03/11		DTITUS 2010/03/11		SEE TABLE		SD-130237-001		2 OF 3	
SIZE <b>B</b>		THIS DRAWING CONTAINS INFORMATION THAT IS PROPRIETARY TO MOLEX INCORPORATED AND SHOULD NOT BE USED WITHOUT WRITTEN PERMISSION										

**FINISHED ASSEMBLY:**

MATERIAL NUMBER	ENGINEERING NUMBER	COLOR ID LABEL	CABLE TRAVEL	WEIGHT RANGE		DESCRIPTION:
				LBS	KG	
1302370001	AB4	YELLOW	5.3FT[1.6M]	1.5-4.0	0.7-1.8	AB BALANCER NON-RATCHET
1302370002	AB8	RED	5.3FT[1.6M]	4.0-8.0	1.8-3.6	AB BALANCER NON-RATCHET
1302370003	AB11	WHITE	5.3FT[1.6M]	8.0-11.0	3.6-5.0	AB BALANCER NON-RATCHET
1302370004	AB4RL	YELLOW	5.3FT[1.6M]	1.5-4.0	0.7-1.8	AB BALANCER W/RATCHET LOCK
1302370005	AB8RL	RED	5.3FT[1.6M]	4.0-8.0	1.8-3.6	AB BALANCER W/RATCHET LOCK
1302370006	AB11RL	WHITE	5.3FT[1.6M]	8.0-11.0	3.6-5.0	AB BALANCER W/RATCHET LOCK

RELEASE TO SALES EC NO: IPG2012-0310 DRWN: MCHOJECK CHKD: --- APPR: DTITUS 3/6/12 2010/03/11	DESCRIPTION REV	QUALITY SYMBOLS	GENERAL TOLERANCES (UNLESS SPECIFIED)	DIMENSION STYLE		SCALE	DESIGN UNITS	THIRD ANGLE PROJECTION		
		▼=0		IN/MM		NTS	INCH			
		∇=0		mm	INCH	DRAWN BY	DATE		"AB" BALANCERS STD & W/ RATCHET LOCK 1-11 LBS WEIGHT RANGE MOLEX INCORPORATED	
				4 PLACES	±-	±-	RH			2009/03/03
				3 PLACES	±-	±-	CHECKED BY			DATE
	2 PLACES	±-	±-	DT	2009/03/03	APPROVED BY	DATE			
	1 PLACE	±-	±-	DTITUS	2010/03/11	MATERIAL NO.	DOCUMENT NO.	SHEET NO.		
	ANGULAR ±1°			SEE TABLE		SD-130237-001		3 OF 3		
DRAFT WHERE APPLICABLE MUST REMAIN WITHIN DIMENSIONS				SIZE	THIS DRAWING CONTAINS INFORMATION THAT IS PROPRIETARY TO MOLEX INCORPORATED AND SHOULD NOT BE USED WITHOUT WRITTEN PERMISSION					
B										