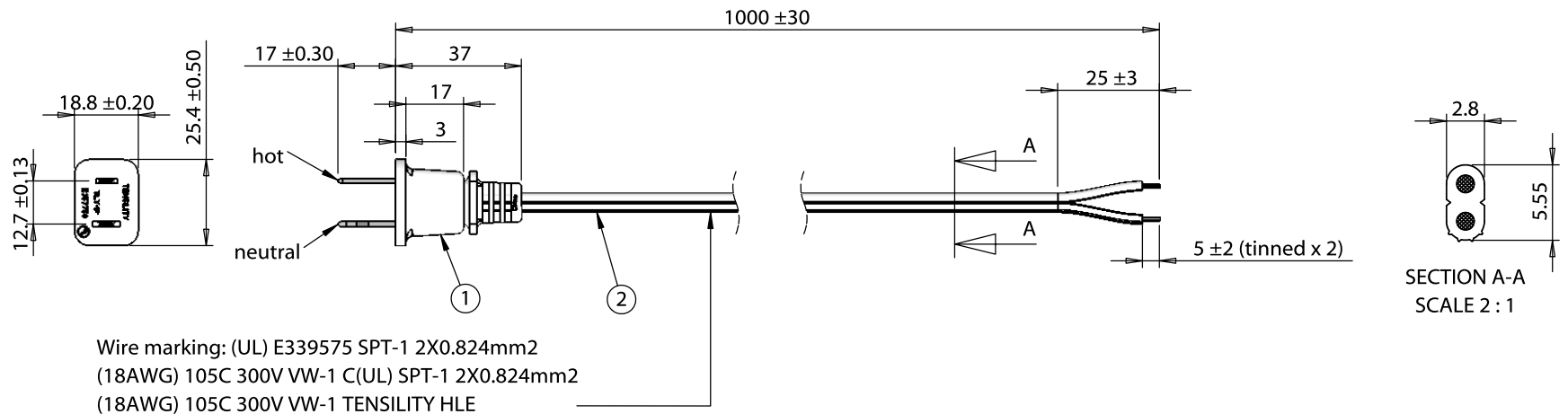


ITEM NO.	PART NUMBER	DESCRIPTION	QTY.	COMPONENT NOTES
1	TLY-1P	NEMA 1-15P, polarized	1	white overmold
2	30-00243	2C, 18 AWG, UL SPT-1, 300V, 105C, 5.55 mm, VW-1, PVC, white	1	



SECTION A-A  
SCALE 2 : 1

Wiring Diagram	
TLY-1P	wire
hot	smooth
neutral	ribbed

**Notes:**  
 Electrical requirements: 10 A at 125 Vac as is

Revision:	Date:	Description:	Prepared:	Notes:	<h1>TENSILITY</h1> <p>tel 1.541.323.3228 800 877.670.7118          fax 1.541.323.4202 web tensility.com</p>
A	12/17/2012	Initial release	AG <small>Digitally signed by AG            Date: 2017.01.26            16:14:24 -08'00'</small>	RoHS compliant	
			PS <small>Digitally signed by PS            Date: 2017.01.26            16:15:24 -08'00'</small>	Function test: no open, no short circuit, no intermittent	
			Dimensions are in millimeters. Tolerances: X: ± 0.5 mm X.X: ± 0.3 mm X.XX: ± 0.05 mm	Description: Ac cord, 1000 mm, U.S, NEMA 1-15P plug, TLY-1P to tinned, 18 AWG, SPT-1 wire, 30-00243, white	
				Size: A Part number: 11-00032 Scale: 1:2	