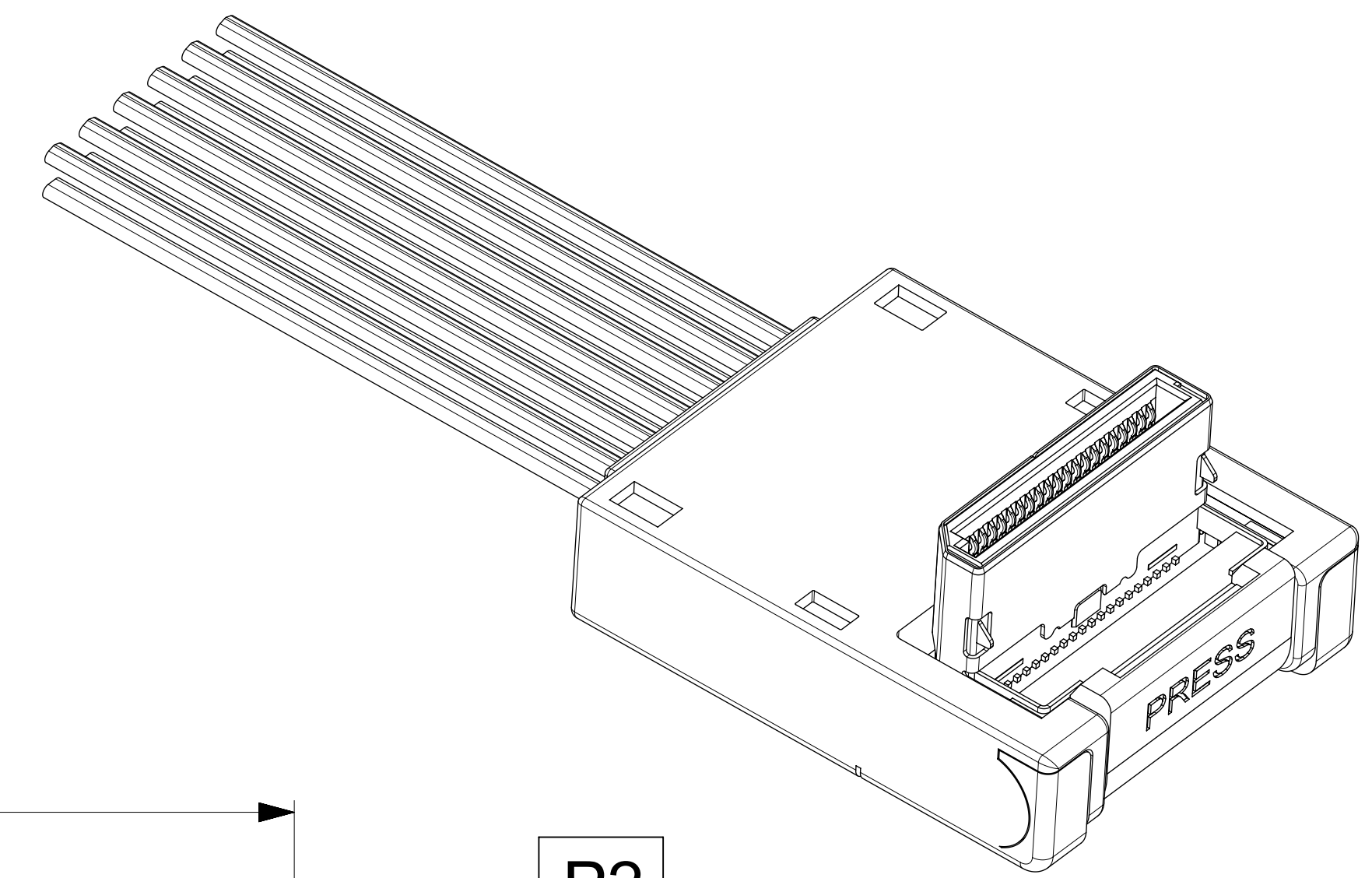
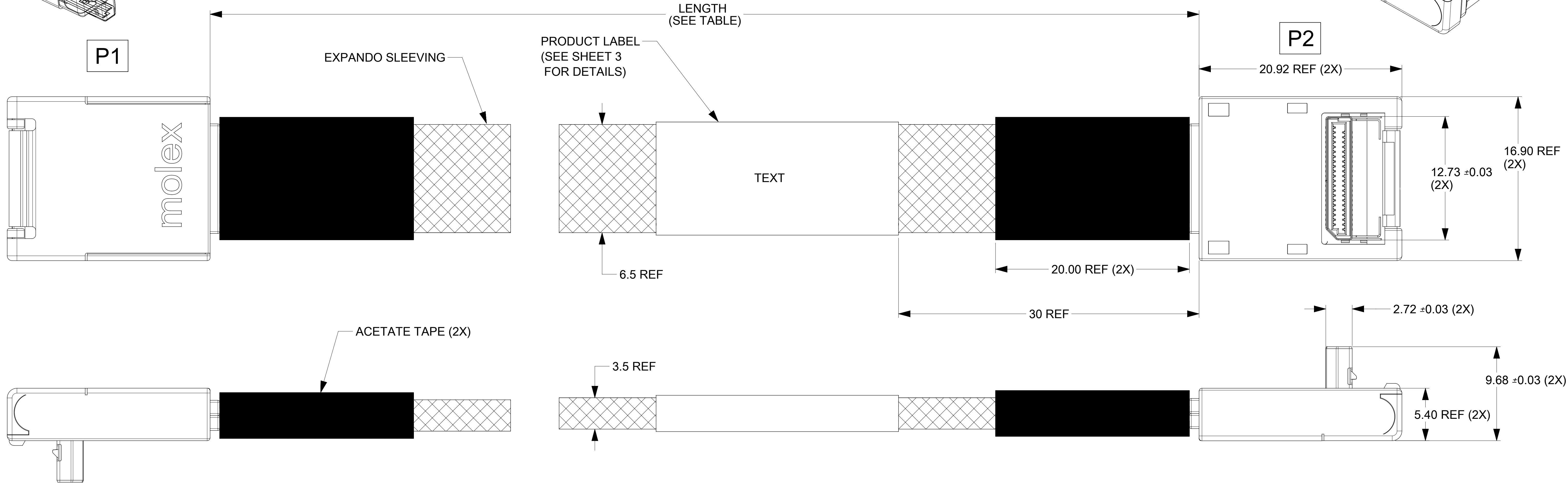


P1



P2



| MOLEX P/N  | LENGTH | TOLERANCE | RAW CABLE IMPEDANCE | AWG | MECHANICAL SPECIFICATION | ELECTRICAL SPECIFICATION                  |
|------------|--------|-----------|---------------------|-----|--------------------------|---|
| 1001531004 | 300mm  | ±10.0mm   | 85 Ohms             | 34  | SFF-8611                 | PCI EXPRESS OCuLink SPECIFICATION REV 1.0 |
| 1001531005 | 500mm  | ±10.0mm   | 85 Ohms             | 34  | SFF-8611                 | PCI EXPRESS OCuLink SPECIFICATION REV 1.0 |
| 1001531006 | 700mm  | ±10.0mm   | 85 Ohms             | 34  | SFF-8611                 | PCI EXPRESS OCuLink SPECIFICATION REV 1.0 |
| 1001531007 | 1000mm | ±15.0mm   | 85 Ohms             | 34  | SFF-8611                 | PCI EXPRESS OCuLink SPECIFICATION REV 1.0 |
| 1001531008 | 400mm  | ±10.0mm   | 85 Ohms             | 34  | SFF-8611                 | PCI EXPRESS OCuLink SPECIFICATION REV 1.0 |

NOTES:

- MATERIALS:
  - BACKSHELLS - NYLON, UL94-V0  
COLOR: BLACK
  - LATCHING - STAINLESS STEEL
  - CABLE - TWIN-AX SHIELD: ALUMINIZED POLYESTER FOIL  
- SIGNAL PAIR: SOLID SILVER PLATED COPPER  
- DRAIN: SOLID TINNED COPPER  
- CONFORMS TO VW1
  - PCB - HALOGEN FREE
- PLUG MATES TO RIGHT-ANGLE AND VERTICAL RECEPTACLE SERIES 173162.
- RoHS COMPLIANT. NO EXCEPTIONS.

|   |   |   |  |                                       |  |
|---|---|---|--|---------------------------------------|--|
| THIS DRAWING CONTAINS INFORMATION THAT IS PROPRIETARY TO MOLEX ELECTRONIC TECHNOLOGIES, LLC AND SHOULD NOT BE USED WITHOUT WRITTEN PERMISSION |   |   |  |                                       |  |
| QUALITY SYMBOLS   | EC NO: 118143<br>DRWN: RWHIPPLE<br>CHKD: PSYTSM<br>REV APPR: JALEXANDER<br>2017/06/13<br>2017/06/13<br>2017/06/16 | GENERAL TOLERANCES (UNLESS SPECIFIED)<br>ANGULAR TOL ± °<br>4 PLACES ±<br>3 PLACES ±<br>2 PLACES ±<br>1 PLACE ±<br>0 PLACES ±<br>DRAFT WHERE APPLICABLE MUST REMAIN WITHIN DIMENSIONS | DIMENSION UNITS: MM<br>SCALE: NTS<br>DRWN BY: RWHIPPLE<br>DATE: 2016/03/14<br>CHKD BY: PSYTSM<br>DATE: 2016/03/15<br>APPR BY: JCDEMPSEY<br>DATE: 2016/06/03<br>DRAWING SIZE: D<br>THIRD ANGLE PROJECTION |                                       |  |
|   |   |   |  | 4X NANO-PITCH (RA) TO NANO-PITCH (RA) |  |
|   |   |   |  | PRODUCT CUSTOMER DRAWING              |  |
| SERIES: 100153  |   | MATERIAL NUMBER: SEE P/N TABLE  |  | CUSTOMER: GENERAL MARKET              |  |
| DOCUMENT NUMBER: 1001531004   |   | DOC TYPE: PSD   |  | DOC PART: 000<br>SHEET NUMBER: 1 OF 3 |  |

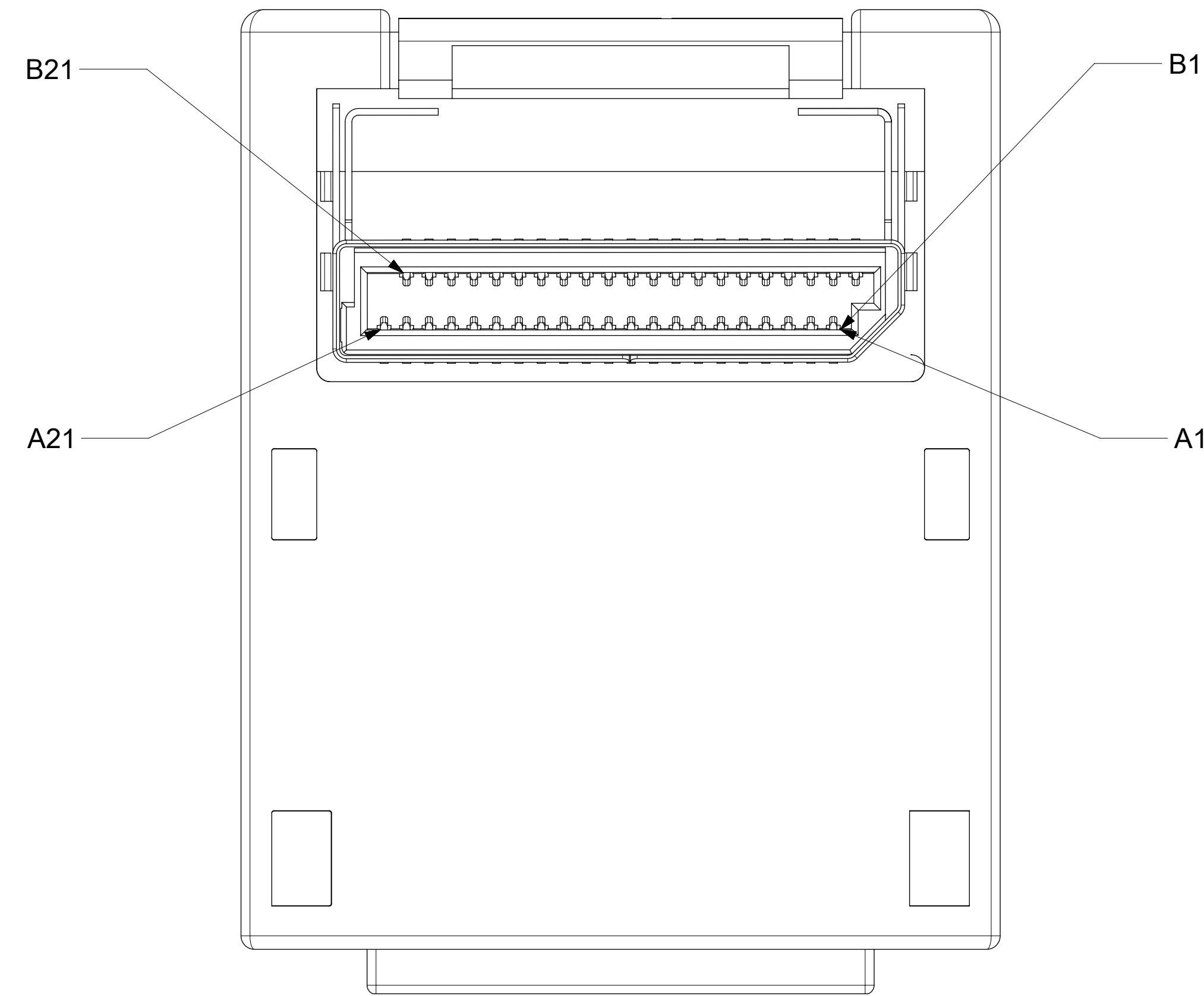
# PINOUT TABLE

| P1    |              | SIGNAL TYPE | WIRE ID  | P2    |              |
|-------|--------------|-------------|----------|-------|--------------|
| PIN # | DESCRIPTION  |             |          | PIN # | DESCRIPTION  |
| A1    | NO CONNECT   | NC          | NO WIRE  | B1    | NO CONNECT   |
| A2    | GROUND       | ----        | TWINAX1  | B2    | GROUND       |
| A3    | PERp0        | <---        | TWINAX1  | B3    | PETp0        |
| A4    | PERn0        | <---        | TWINAX1  | B4    | PETn0        |
| A5    | GROUND       | ----        | TWINAX2  | B5    | GROUND       |
| A6    | PERp1        | <---        | TWINAX2  | B6    | PETp1        |
| A7    | PERn1        | <---        | TWINAX2  | B7    | PETn1        |
| A8    | GROUND       | ----        | TWINAX3  | B8    | GROUND       |
| A9    | BP_TYPE      | <---        | TWINAX3  | B9    | BP_TYPE      |
| A10   | CWAKE#       | <-->        | TWINAX3  | B10   | CWAKE#       |
| A11   | GROUND       | NC          | NO WIRE  | B11   | GROUND       |
| A12   | VSP+         | --->        | TWINAX4  | B12   | VSP+         |
| A13   | VSP-         | --->        | TWINAX4  | B13   | VSP-         |
| A14   | GROUND       | ----        | TWINAX4  | B14   | GROUND       |
| A15   | PERp2        | <---        | TWINAX5  | B15   | PETp2        |
| A16   | PERn2        | <---        | TWINAX5  | B16   | PETn2        |
| A17   | GROUND       | ----        | TWINAX5  | B17   | GROUND       |
| A18   | PERp3        | <---        | TWINAX6  | B18   | PETp3        |
| A19   | PERn3        | <---        | TWINAX6  | B19   | PETn3        |
| A20   | GROUND       | ----        | TWINAX6  | B20   | GROUND       |
| A21   | NO CONNECT   | NC          | NO WIRE  | B21   | NO CONNECT   |
| B1    | NO CONNECT   | NC          | NO WIRE  | A1    | NO CONNECT   |
| B2    | GROUND       | ----        | TWINAX7  | A2    | GROUND       |
| B3    | PETp0        | --->        | TWINAX7  | A3    | PERp0        |
| B4    | PETn0        | --->        | TWINAX7  | A4    | PERn0        |
| B5    | GROUND       | ----        | TWINAX8  | A5    | GROUND       |
| B6    | PETp1        | --->        | TWINAX8  | A6    | PERp1        |
| B7    | PETn1        | --->        | TWINAX8  | A7    | PERn1        |
| B8    | GROUND       | ----        | TWINAX9  | A8    | GROUND       |
| B9    | 2-WIRE CLOCK | <-->        | TWINAX9  | A9    | 2-WIRE CLOCK |
| B10   | 2-WIRE DATA  | <-->        | TWINAX9  | A10   | 2-WIRE DATA  |
| B11   | GROUND       | NC          | NO WIRE  | A11   | GROUND       |
| B12   | PERST#       | <-->        | TWINAX10 | A12   | PERST#       |
| B13   | CPRSNT#      | <-->        | TWINAX10 | A13   | CPRSNT#      |
| B14   | GROUND       | ----        | TWINAX10 | A14   | GROUND       |
| B15   | PETp2        | --->        | TWINAX11 | A15   | PERp2        |
| B16   | PETn2        | --->        | TWINAX11 | A16   | PERn2        |
| B17   | GROUND       | ----        | TWINAX11 | A17   | GROUND       |
| B18   | PETp3        | --->        | TWINAX12 | A18   | PERp3        |
| B19   | PETn3        | --->        | TWINAX12 | A19   | PERn3        |
| B20   | GROUND       | ----        | TWINAX12 | A20   | GROUND       |
| B21   | NO CONNECT   | NC          | NO WIRE  | A21   | NO CONNECT   |

### LEGEND

- = THRU LINE
  - > = TRANSMIT TO RECEIVE ON HIGH SPEED LINE
  - <--> = SIDEBAND
  - NC = NOT CONNECTED
- NOTE: CONNECTION DETERMINED BY PIN #. DESCRIPTION FOR REFERENCE ONLY.

P1 & P2

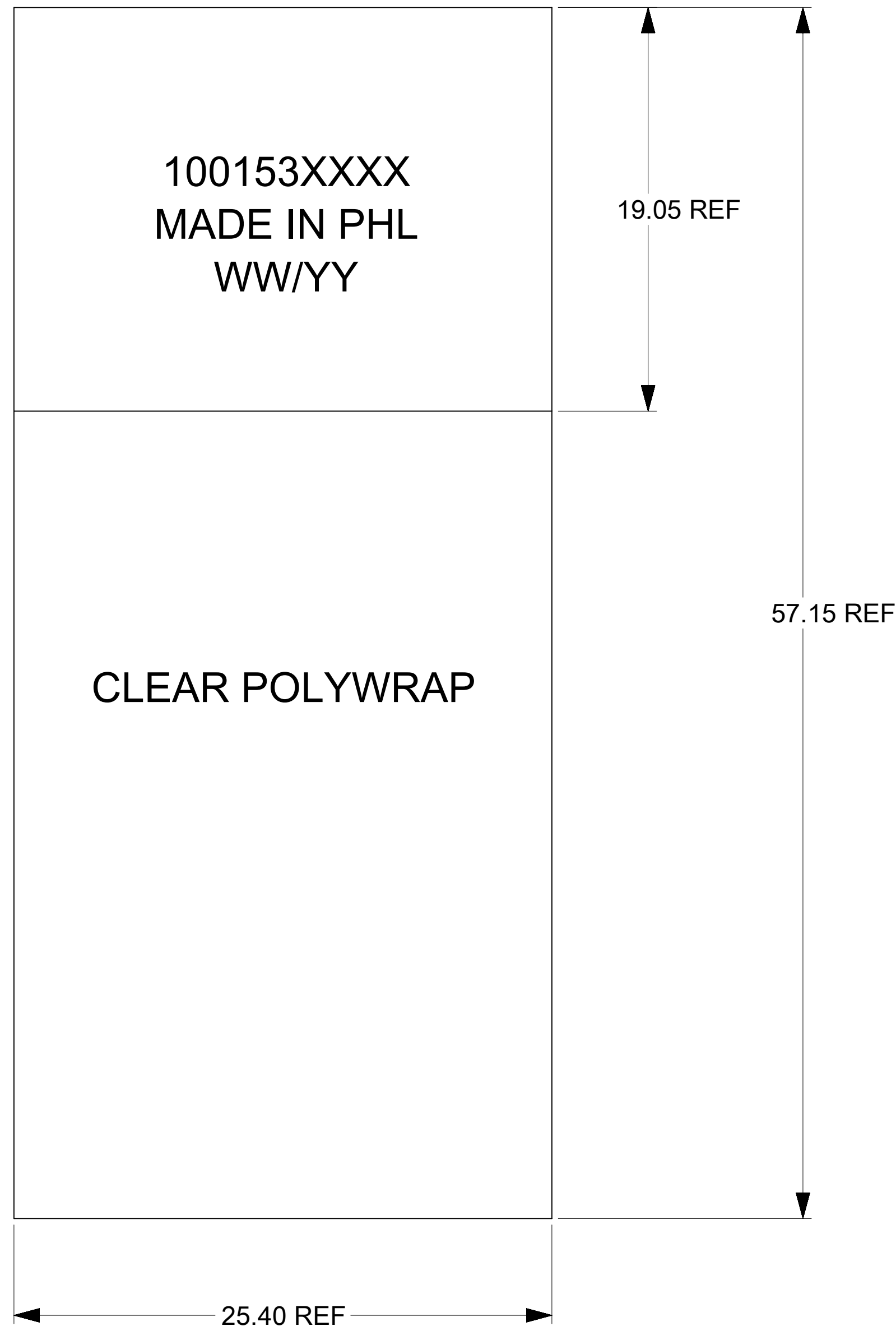


VIEW FROM MATING END OF CONNECTOR

|   |   |  |   |   |   |
|---|---|--|---|---|---|
| <b>QUALITY SYMBOLS</b><br>F = 0<br>E = 0<br>D = 0<br>C = 0<br>B = 0<br>A = 0<br>0 = 0 | THIS DRAWING CONTAINS INFORMATION THAT IS PROPRIETARY TO MOLEX ELECTRONIC TECHNOLOGIES, LLC AND SHOULD NOT BE USED WITHOUT WRITTEN PERMISSION |  |   |   |   |
|   | EC NO: 118143<br>DRWN: RWHIPPLE<br>CHKD: PSYTSM<br>REV: APPR: JALEXANDER  | 2017/06/13<br>2017/06/13<br>2017/06/16                                       | GENERAL TOLERANCES (UNLESS SPECIFIED)<br>ANGULAR TOL ± °<br>4 PLACES ±<br>3 PLACES ±<br>2 PLACES ±<br>1 PLACE ±<br>0 PLACES ±<br>DRAFT WHERE APPLICABLE MUST REMAIN WITHIN DIMENSIONS | DIMENSION UNITS: MM<br>SCALE: NTS<br>DRWN BY: RWHIPPLE<br>DATE: 2016/03/14<br>CHKD BY: PSYTSM<br>DATE: 2016/03/15<br>APPR BY: JCDEMPSEY<br>DATE: 2016/06/03 | <br>4X NANO-PITCH (RA) TO NANO-PITCH (RA)<br>PRODUCT CUSTOMER DRAWING |
|   | DRAWING SIZE: D<br>THIRD ANGLE PROJECTION   | SERIES: 100153<br>MATERIAL NUMBER: SEE P/N TABLE<br>CUSTOMER: GENERAL MARKET | DOCUMENT NUMBER: 1001531004<br>DOC TYPE: PSD<br>DOC PART: 000<br>SHEET NUMBER: 2 OF 3   |   |   |
|   | RELEASE STATUS: P1    RELEASE DATE: 16.06.2017    15:38:22  |  |   |   |   |

**LABEL DETAIL**

MOLEX P/N----->  
 MANUFACTURING LOCATION----->  
 MANUFACTURE DATE----->  
 WW: WEEK OF YEAR  
 YY: LAST TWO DIGITS OF YEAR



|   |  |                                       |                        |   |                                       |  |  |  |  |  |  |
|---|--|---------------------------------------|------------------------|---|---------------------------------------|--|--|--|--|--|--|
| THIS DRAWING CONTAINS INFORMATION THAT IS PROPRIETARY TO MOLEX ELECTRONIC TECHNOLOGIES, LLC AND SHOULD NOT BE USED WITHOUT WRITTEN PERMISSION |  |                                       |                        |   |                                       |  |  |  |  |  |  |
| QUALITY SYMBOLS<br>F = 0<br>E = 0<br>D = 0<br>C = 0<br>B = 0<br>A = 0<br>0 = 0  | 2017/06/13   | GENERAL TOLERANCES (UNLESS SPECIFIED) | DIMENSION UNITS        | SCALE   |                                       |  |  |  |  |  |  |
|   | DRWN BY: RWHIPPLE                                    | 2017/06/13                            | MM                     | NTS   |                                       |  |  |  |  |  |  |
|   | 2017/06/16   | ANGULAR TOL ± °                       | DRWN BY                | DATE  | 4X NANO-PITCH (RA) TO NANO-PITCH (RA) |  |  |  |  |  |  |
|   | CHKD: PSYTSM   | 2017/06/16                            | RWHIPPLE               | 2016/03/14  |                                       |  |  |  |  |  |  |
|   | REV: APPR: JALEXANDER                                | 4 PLACES ±                            | CHKD BY                | DATE  | PRODUCT CUSTOMER DRAWING              |  |  |  |  |  |  |
|   | 3 PLACES ±   | PSYTSM                                | 2016/03/15             |   |                                       |  |  |  |  |  |  |
|   | 2 PLACES ±   | APPR BY                               | DATE                   | SERIES: 100153    MATERIAL NUMBER: SEE P/N TABLE    CUSTOMER: GENERAL MARKET<br>DOCUMENT NUMBER: 1001531004    DOC TYPE: PSD    DOC PART: 000    SHEET NUMBER: 3 OF 3 |                                       |  |  |  |  |  |  |
|   | 1 PLACE ±  | JCDEMPSEY                             | 2016/06/03             |   |                                       |  |  |  |  |  |  |
|   | 0 PLACES ±   | DRAWING SIZE                          | THIRD ANGLE PROJECTION |   |                                       |  |  |  |  |  |  |
|   | DRAFT WHERE APPLICABLE MUST REMAIN WITHIN DIMENSIONS | D                                     |                        |   |                                       |  |  |  |  |  |  |