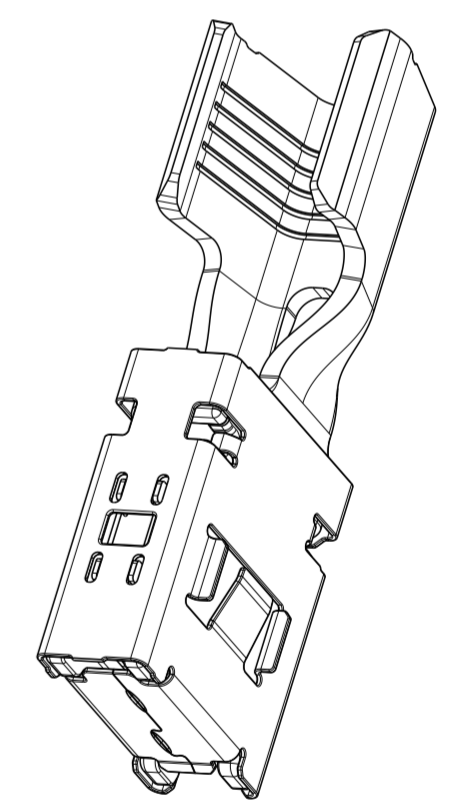
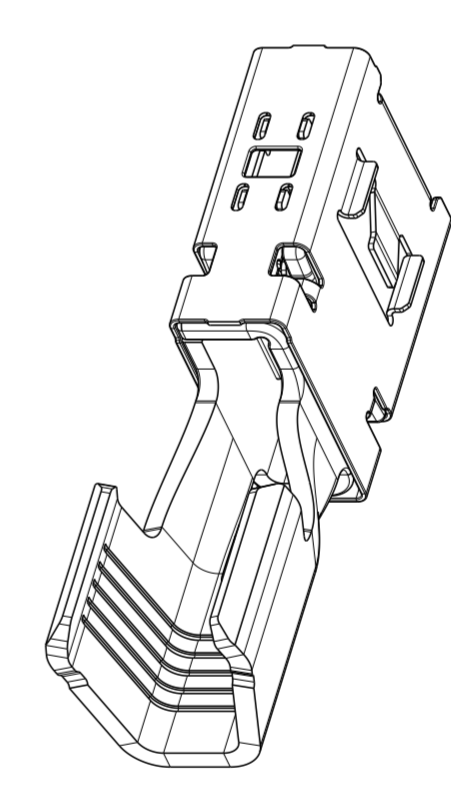
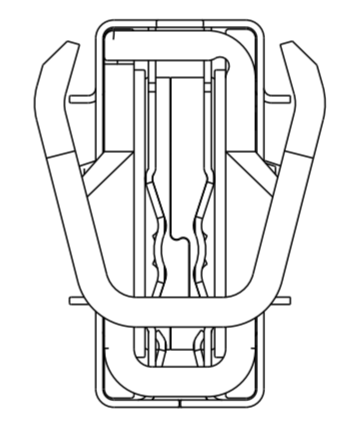
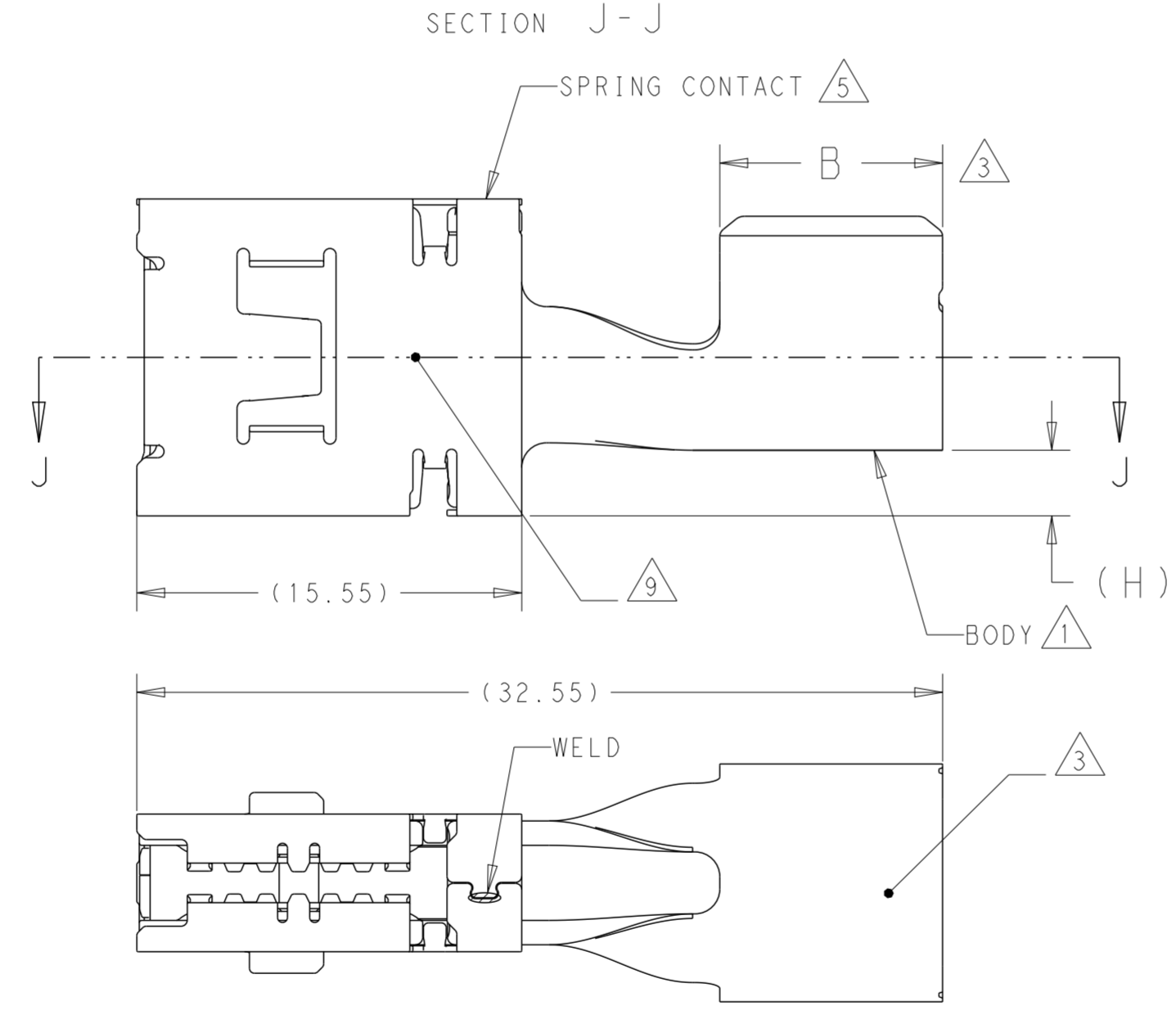
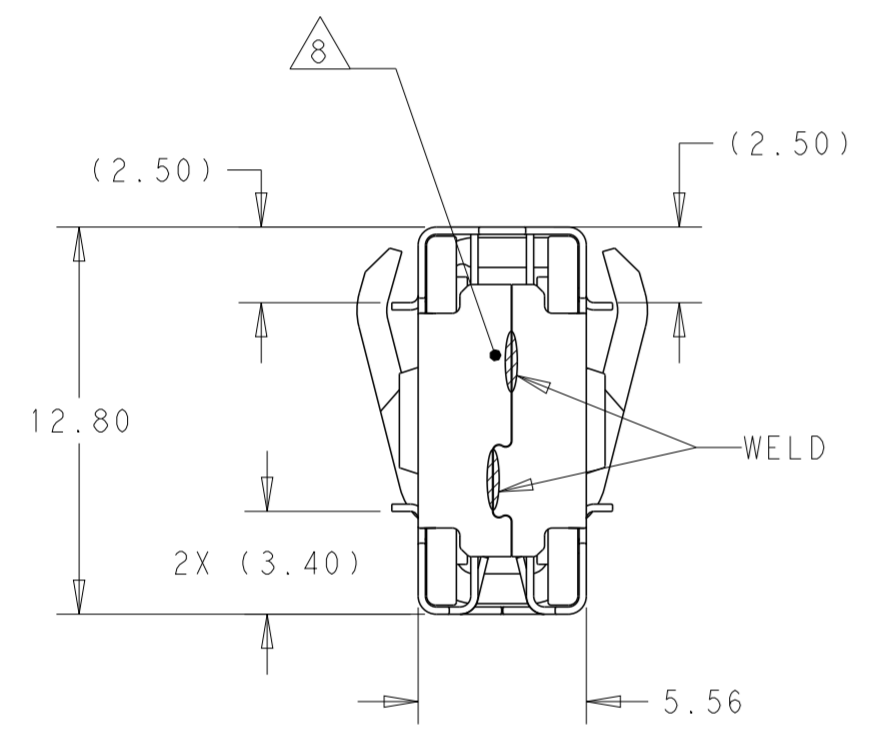
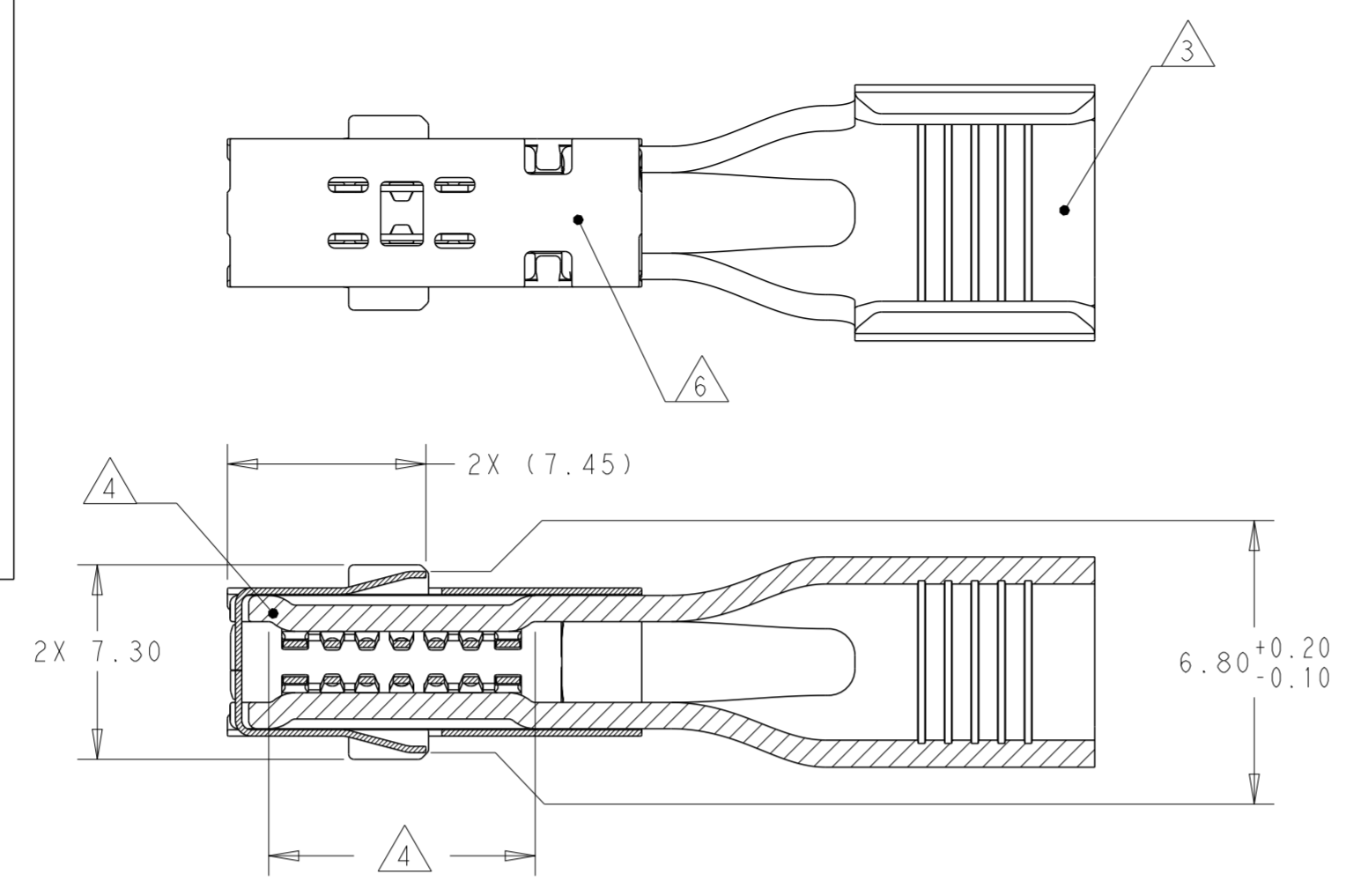
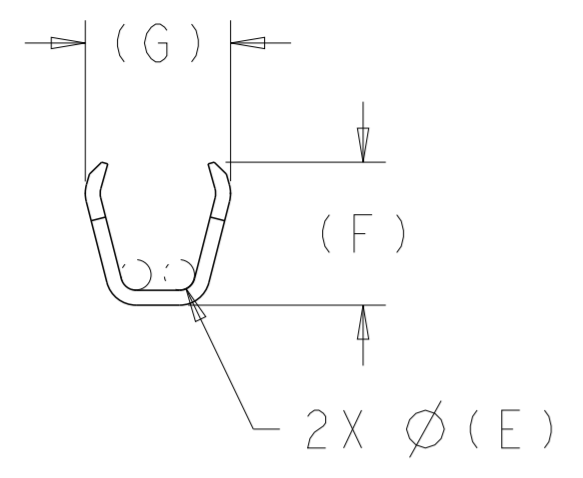


THIS DRAWING IS UNPUBLISHED. RELEASED FOR PUBLICATION
 © COPYRIGHT 2017 BY TE CONNECTIVITY CORPORATION ALL RIGHTS RESERVED.

REVISIONS					
P	LTR	DESCRIPTION	DATE	DWN	APVD
2		UPDATED TO REFLECT COMPONENT CHANGES	30AUG2017	RGV	AT
A		REV PER ECR-18-011841	26JUL2018	MK	WS
A1		REV PER ECR-18-017021	26 OCT 2018	WS	AT
A2		REV PER ECR-18-018118	16NOV2018	WS	AT



- 1 BODY MATERIAL: (1.00) THICK COPPER ALLOY
- 2. NOTE REMOVED
- 3 BODY FINISH: SELECTIVE TIN PLATING OVER NICKEL IN GRIP AREA
- 4 BODY FINISH: SELECTIVE SILVER PLATING OVER NICKEL IN CONTACT AREA
- 5 SPRING (0.25) THICK COPPER ALLOY
- 6 WEEK (YWW) LASER MARKED 0.65 HGH CHARACTERS, LOCATED APPROX AS SHOWN
- A2 7. NOTE REMOVED
- 8 SPRING FINISH: SELECTIVE TIN OVER NICKEL PLATING
- 9 SPRING FINISH: SELECTIVE SILVER OVER NICKEL PLATING

2.35	9.60	9.45	2.00	9.00	10-16	LOOSE PIECE	1-2840573-2	
3.10	7.80	8.00	2.00	7.00	5-8	LOOSE PIECE	1-2840573-1	
(H)	(G)	(F)	(E)	(B)	WIRE RANGE (mm ²)	DESCRIPTION	PART NO	REV

THIS DRAWING IS A CONTROLLED DOCUMENT.

DWN VISHWA A 26NOV2016	TE Connectivity
CHK A TYLER 26NOV2016	
APVD W. SAMSAIR 26JUL2018	
PRODUCT SPEC	
APPLICATION SPEC 114-162014	NAME RECEPTACLE ASSY, 90 DEG. PCON12
WEIGHT 7.08g	SIZE A2 CAGE CODE 00779 DRAWING NO C-2840573
CUSTOMER DRAWING	RESTRICTED TO
	SCALE 4:1 SHEET 1 OF 2 REV A2


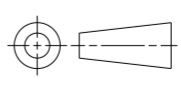
1-2840573-2 SHOWN

THIS DRAWING IS UNPUBLISHED. RELEASED FOR PUBLICATION
 © COPYRIGHT 2017 BY TE CONNECTIVITY CORPORATION ALL RIGHTS RESERVED.

REVISIONS				
P	LTR	DESCRIPTION	DATE	APVD
		SEE SHEET 1		

TOOL SPECIFIC EC (TSE) TABLE										
(DIMENSIONS MARKED WITH TSE BALOONS HAVE TOOL SPECIFIC TOLERANCES ASSOCIATED WITH THEM)										
Dim. ID No.	EC No.	Tool No.	Dwg/Cav Spec. No.	Sheet No.	Zone	Design Dim.	Actual Dim.	Process Min.	Process Max.	Verification Data Loc.
---	ECR-18-017021	152093	C-2840573	1	C/3	7.30 +/-0.1	7.18 +/-0.08	7.10	7.26	MECH TEST #20180762ACL

1-2840573-2 SHOWN

THIS DRAWING IS A CONTROLLED DOCUMENT.		DWN VISHWA A 26NOV2016	 TE Connectivity	
DIMENSIONS: mm		CHK A TYLER 26NOV2016		
		APVD W. SAMSAIR 26JUL2018	NAME RECEPTACLE ASSY, 90 DEG. PCON12	
TOLERANCES UNLESS OTHERWISE SPECIFIED:		PRODUCT SPEC -	APPLICATION SPEC 114-162014	
0 PLC ±		MATERIAL -	SIZE A2	CAGE CODE 00779
1 PLC ±0.3		FINISH -	DRAWING NO C-2840573	RESTRICTED TO -
2 PLC ±0.10		WEIGHT 7.08g		
3 PLC ±0.010		CUSTOMER DRAWING		
4 PLC ±0.0001		SCALE 4:1 SHEET 2 OF 2 REV A2		
ANGLES ±				