

THIS DRAWING IS UNPUBLISHED.

RELEASED FOR PUBLICATION OCT , 2003.

© COPYRIGHT 2003 By -

ALL RIGHTS RESERVED.

LOC	DIST	REVISIONS			
P	LTR	DESCRIPTION	DATE	DWN	APVD
E	B	C	REVISED PER ECO-14-000651	05FEB2014	AP SB

1 FOR LOCAL DATA REFER TO YOUR LOCAL TE CONNECTIVITY SALES OFFICE.

2 ALL DIMENSIONS ARE NOMINAL FOR REFERENCE ONLY UNLESS OTHERWISE STATED.

3 MATERIAL :

HOUSING : THERMOPLASTIC, UL94V-0  
BLACK COLOR

CONTACTS : PHOSPHOR BRONZE

SHELL : STEEL

BOARD LOCK : BRASS

SCREW : BRASS

4 FINISH :

CONTACT : 0.38µm MIN.GOLD PLATED ON CONTACT AREA  
2.54µm MIN. TIN PLATED ON SOLDER TAILS  
1.27µm MIN. NICKEL UNDERPLATED OVERALL

SHELL : 2.54 µm MIN NICKEL PLATED.

BOARD LOCK : 1.52µm MIN. TIN PLATED

SCREW : 1.27µm MIN. NICKEL PLATED.

5 CHARACTERISTICS

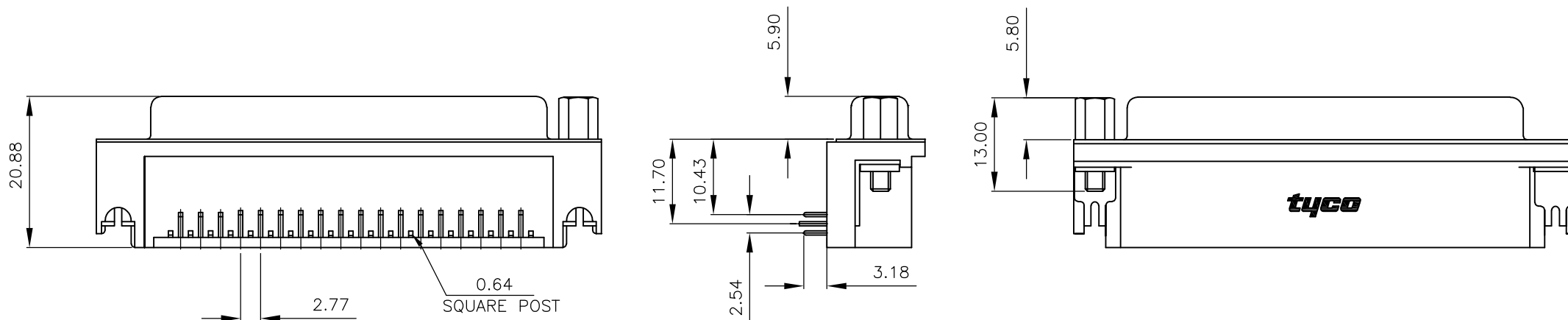
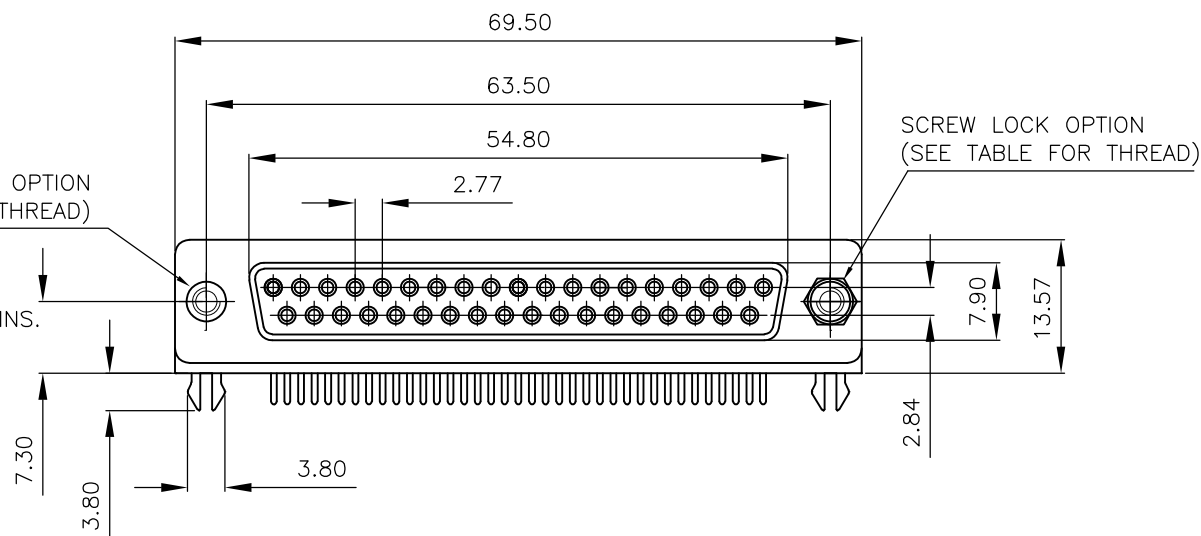
CURRENT RATING : 5A

INSULATION RESISTANCE : 1000MOHMS MIN, 500VDC FOR 2MINS.

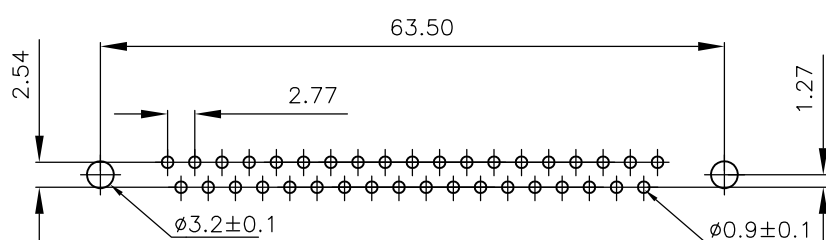
TEMPERATURE RATING : -55DEGC ~ +105DEGC

VOLTAGE RATING : 250VDC

6 OBSOLETE PARTS: OBSOLETE CIS STREAMLINING PER D.RENAUD/D.SINISI.



P.C.B. LAYOUT



6 OBSOLETE	37 WAY D SOCKET WITH BOARD LOCKS & 2 x M3 SCREW LOCKS, 0.38µm GOLD, RIGHT ANGLE	4-1634587-2
	37 WAY D SOCKET WITH BOARD LOCKS & 2 x 4-40 SCREW LOCKS, 0.38µm GOLD, RIGHT ANGLE	3-1634587-2
6 OBSOLETE	37 WAY D SOCKET WITH BOARD LOCKS & 2 x M3 INSERTS, 0.38µm GOLD, RIGHT ANGLE	2-1634587-2
	37 WAY D SOCKET WITH BOARD LOCKS & 2 x 4-40 INSERTS, 0.38µm GOLD, RIGHT ANGLE	1-1634587-2
	DESCRIPTION	PART NO.

THIS DRAWING IS A CONTROLLED DOCUMENT.		DWN J.SANDWELL 15SEP2003	<b>STE</b> TE Connectivity	
DIMENSIONS: mm		CHK S.EBBUTT 15SEP2003		
TOLERANCES UNLESS OTHERWISE SPECIFIED:		APVD F.WHEELER-KING 15SEP2003	NAME 37 WAY D-SUB SOCKET WITH BOARD LOCK	
0 PLC ± -		PRODUCT SPEC	-	
1 PLC ± -		APPLICATION SPEC	-	
2 PLC ± -		WEIGHT SEE NOTE	SIZE A3	CAGE CODE 00779
3 PLC ± -		CUSTOMER DRAWING	DRAWING NO C-1634587	RESTRICTED TO -
4 PLC ± -			SCALE NTS	SHEET 1 OF 2
ANGLES ± -				
FINISH -				
MATERIAL -				

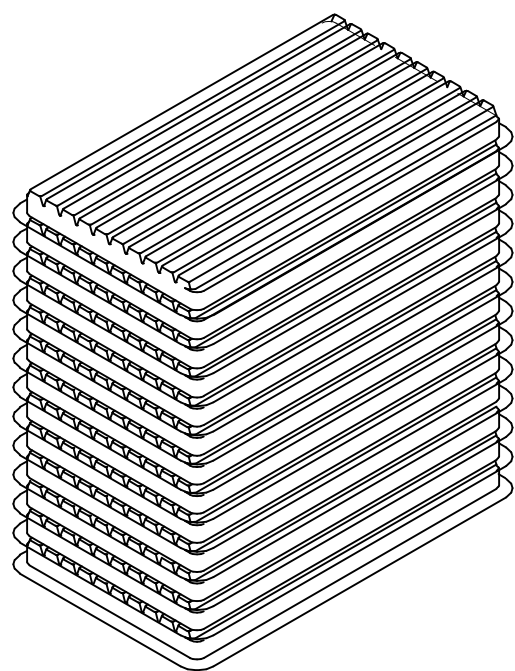
THIS DRAWING IS UNPUBLISHED.

RELEASED FOR PUBLICATION OCT , 2003.

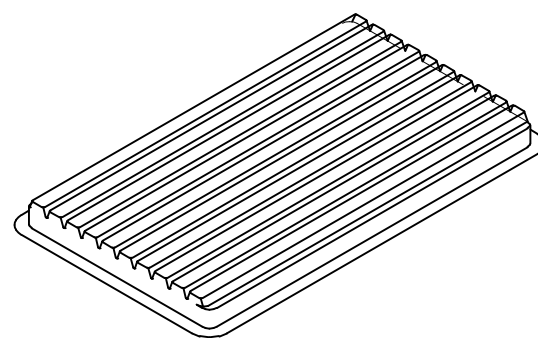
© COPYRIGHT 2003 By -

ALL RIGHTS RESERVED.

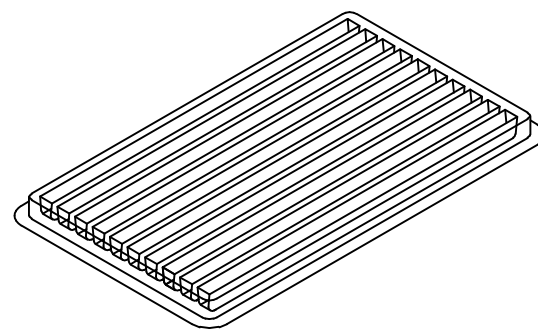
LOC	DIST	REVISIONS			
P	LTR	DESCRIPTION	DATE	DWN	APVD
	-	SEE SHEET 1	-	-	-



- 1 DIMENSION:  
TRAY:L=310,W=220,H=23  
SHIPPING BOX:L=335,W=230,H=320
- 2 QUANTITY:  
40 PCS/TRAY  
13 TRAY/SHIPPING BOX

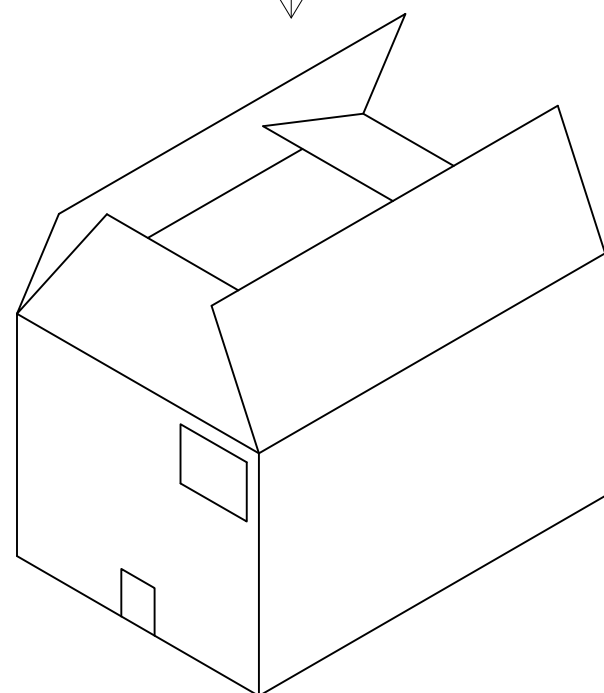
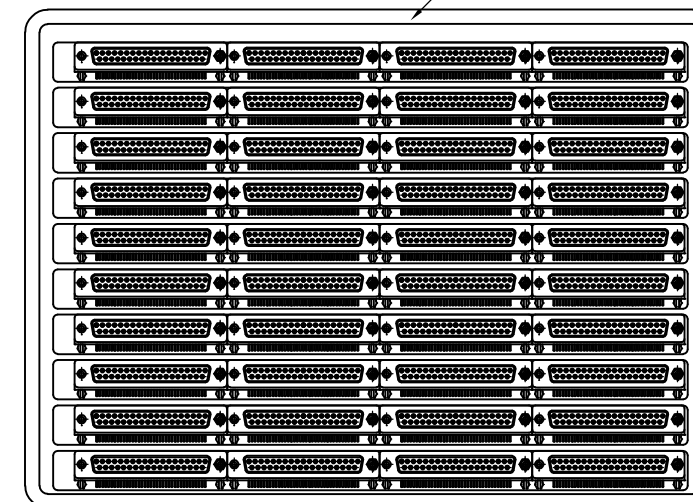



COVER



TRAY

Tray Layout



THIS DRAWING IS A CONTROLLED DOCUMENT.		DWN J.SANDWELL 15SEP2003	 TE Connectivity				
DIMENSIONS: mm		CHK S.EBBUTT 15SEP2003					
TOLERANCES UNLESS OTHERWISE SPECIFIED:		APVD F.WHEELER-KING 15SEP2003	NAME 37 WAY D-SUB SOCKET WITH BOARD LOCK				
0 PLC ± - 1 PLC ± - 2 PLC ± - 3 PLC ± - 4 PLC ± - ANGLES ± -		PRODUCT SPEC -	APPLICATION SPEC -				
MATERIAL -		FINISH -	WEIGHT SEE NOTE	SIZE A3	CAGE CODE 00779	DRAWING NO C-1634587	RESTRICTED TO -
CUSTOMER DRAWING			SCALE NTS	SHEET 2 OF 2	REV C		