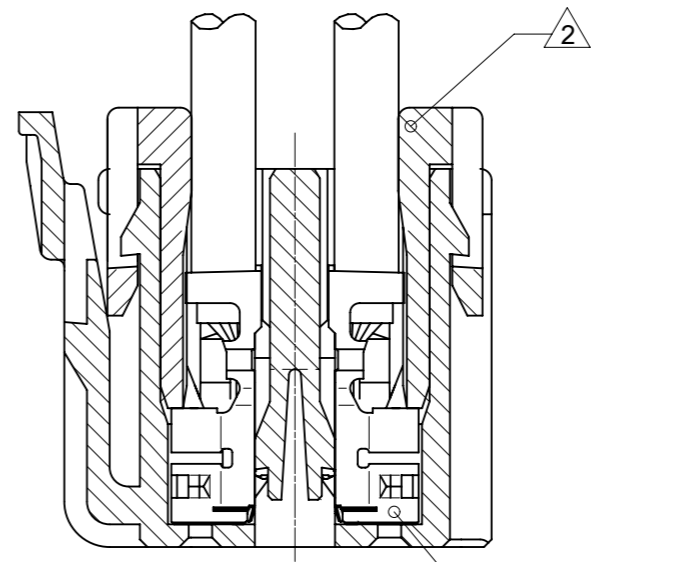


30 CIRCUIT

40 CIRCUIT

VIEW OF 30,40 CIRCUIT  
(2:1)



TERMINAL & RETAINER  
ASSEMBLY DRAWING  
SCALE 5:1

- NOTES:
1. APPLICABLE TERMINAL : SERIES 56134, 59370
  2. APPLICABLE RETAINER : SERIES 55767
  3. MATE WITH : SERIES 55763
  4. APPLY FOR (CIRCUIT/2)= EVEN
  5. MATERIAL NO.

51242-\*\*0\*

CIRCUIT SIZE	COLOR	NATURAL(WHITE)	0
		RED	2

6. MATERIAL : 66 NYLON, UL94V-0

40	51242-400*	43.8	38	40.9	25
30	51242-300*	33.8	28	30.9	15
20	51242-200*	23.8	18	20.9	13
CKT.	MATERIAL NO.	A	B	C	D

THIS DRAWING CONTAINS INFORMATION THAT IS PROPRIETARY TO MOLEX ELECTRONIC TECHNOLOGIES, LLC AND SHOULD NOT BE USED WITHOUT WRITTEN PERMISSION		CURRENT REV DESC:		<b>molex</b>	
DIMENSION UNITS	SCALE	EC NO: 726698			
mm	4:1	DRWN: HKOBAYASHI 2022/10/11		MICROCLASP 2.0 W-B CONN. DUAL ROW RCPT HSG	
GENERAL TOLERANCES (UNLESS SPECIFIED)		CHK'D: AIDA 2022/11/04			
ANGULAR TOL	± 3.0 °	APPR: SAKIYAMA 2022/11/04		PRODUCT CUSTOMER DRAWING	
4 PLACES	± 0.0	INITIAL REVISION:		DOCUMENT NUMBER	
3 PLACES	± 0.0	DRWN: NITO 2001/04/13		SD-51242-002	
2 PLACES	± 0.2	APPR: TOYAMAGUCHI 2001/04/13		DOC TYPE	
1 PLACE	± 0.2	THIRD ANGLE PROJECTION		PSD	
0 PLACES	± 0.2	DRAWING		DOC PART	
DRAFT WHERE APPLICABLE MUST REMAIN WITHIN DIMENSIONS		SERIES		REVISION	
		A3-SIZE		001 D	
		51242		SHEET NUMBER	
		GENERAL MARKET		1 OF 1	