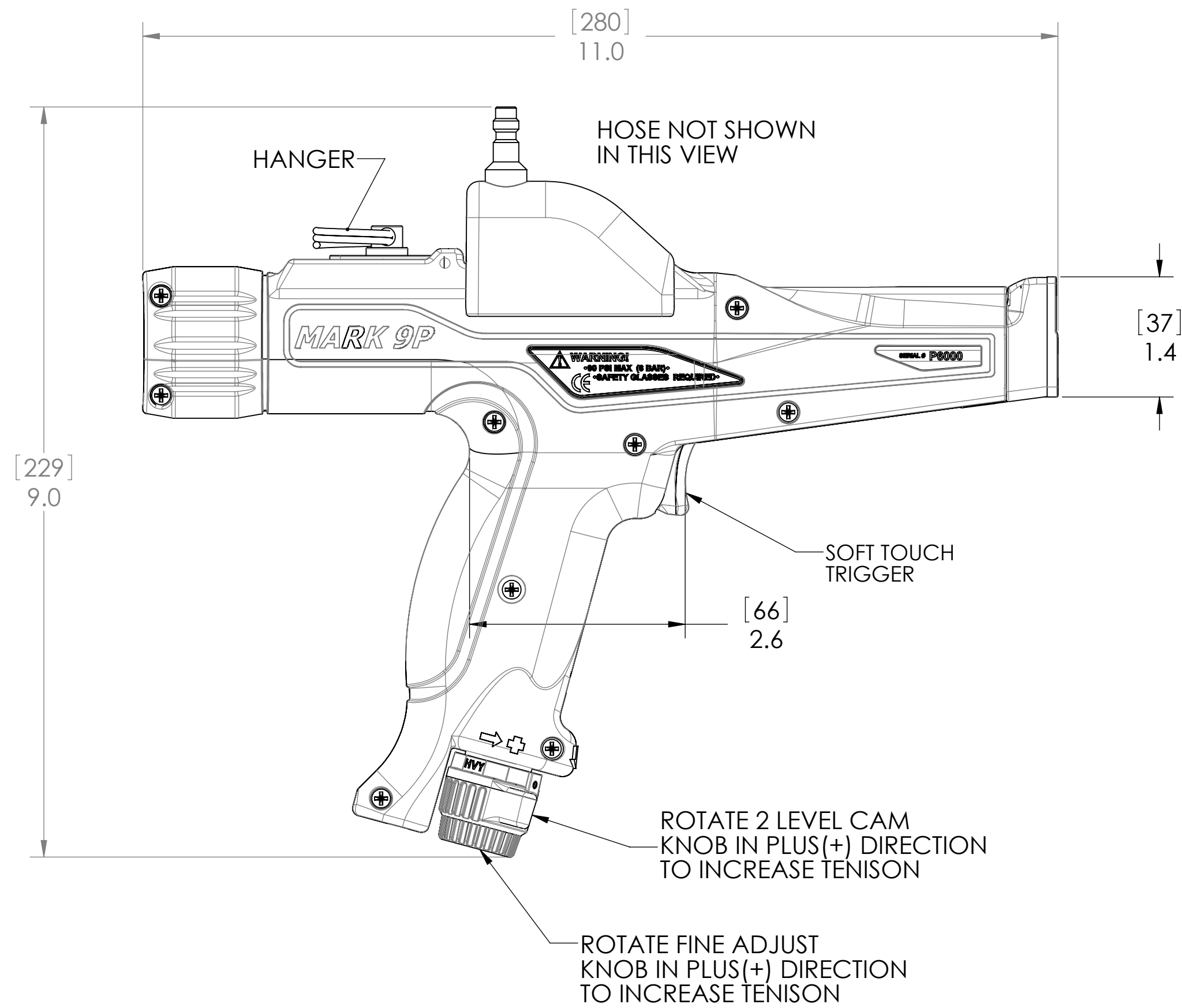
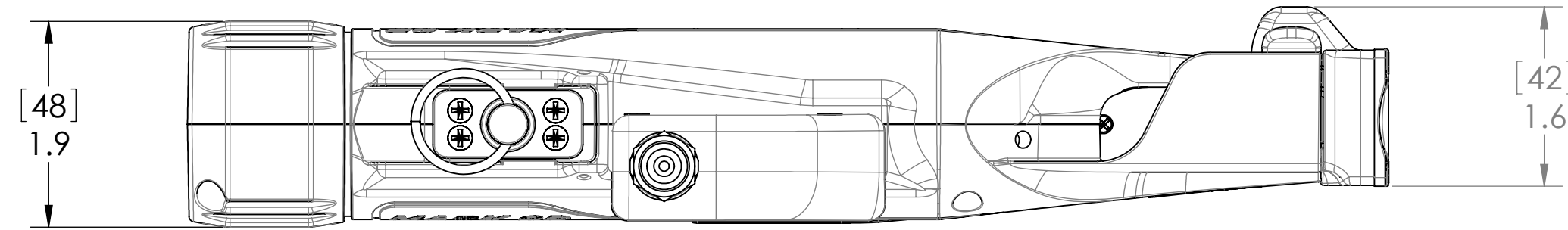


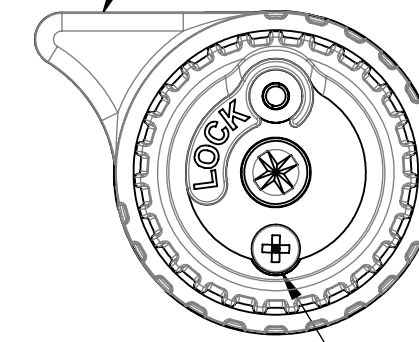
NOTE:

1. HOUSING MATERIAL: GLASS REINFORCED BLACK NYLON
2. TOOL WEIGHT: 32 oz.
3. INSTALLS HELLERMANN TYTON TIES T50-T255.
4. TOOL REQUIRES NO SPECIAL OPERATOR MAINTENANCE.
5. FOR REPLACEMENT BLADE ORDER PART # MK9P-109
6. SAFETY GLASSES MUST BE WORN AT ALL TIMES.
7. AIR PRESSURE: 90 PSI MAX (6 BAR)

8. USE NON-LUBRICATED AIR ONLY.
9. STANDARD = T50, T80 TIES (.18" WIDE)  
HEAVY = T120(.30 WIDE), T150(.35 WIDE);  
T250; T255 (.50 WIDE)
10. OPTIONAL: REMOVE PAN HEAD SCREW FROM "UNLOCK" POSITION AND PLACE IN "LOCK" POSITION TO LOCK FINE ADJUST KNOB TO CAM KNOB.



CAM KNOB PUSHER FOR LOW TORQUE EASE OF ADJUSTMENT



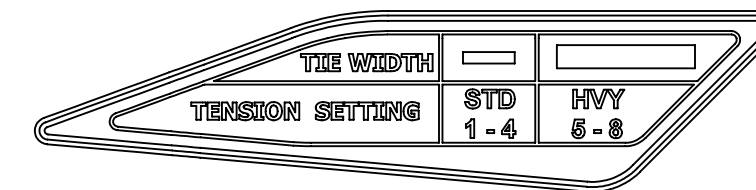
FINE ADJUST KNOB SCALE 2:1

SEE NOTE 10

QUICK CONNECT FITTING 1/4" PLUG TO AIR SUPPLY

10" LONG 1/8" ID BRAIDED HOSE

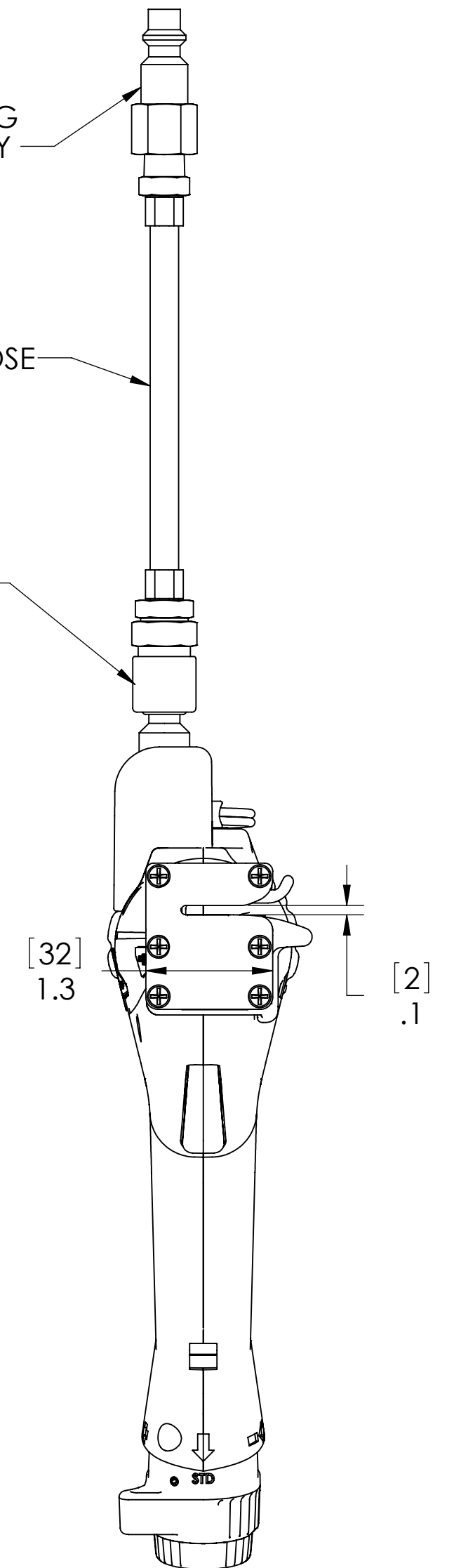
FAST DISCONNECT SOCKET



LABEL, TENSION SETTINGS SCALE 2:1



LABEL, WARNING SCALE 2:1



INVENTORS

**HellermannTyton**

ALL PROPRIETARY RIGHTS IN THE SUBJECT MATTER SHOWN ON THIS DRAWING ARE EXCLUSIVE PROPERTY OF HELLERMANN TYTON

name date city, state

NOTES

REVISION

level	02
by	WKL
date	1/11/2012
ECN #	012010
part level	-

DIMENSIONS

.XXXX	= [±.013]/±.0005
.XXX	= [±.13]/±.005
.XX	= [±.3]/±.01
.X	= [±.8]/±.03
∠	= ±0.5°
unless otherwise specified	
units	[millimeters]/inches

PART

number	MK9PUA	phase	Production
name	CUSTOMER DRAWING MK9PUA (110-90300)		
material			

DRAWING

format	C	SW	2010	scale	3:4
version					
computer file name	TS2097200CST_02		previous drawing number		
drawn	AAC	checked	WKL	approved	
date	05/24/2007	checked	05/24/2007		
type	Customer			sheet 1 of 1	
number	TS2097200CST				