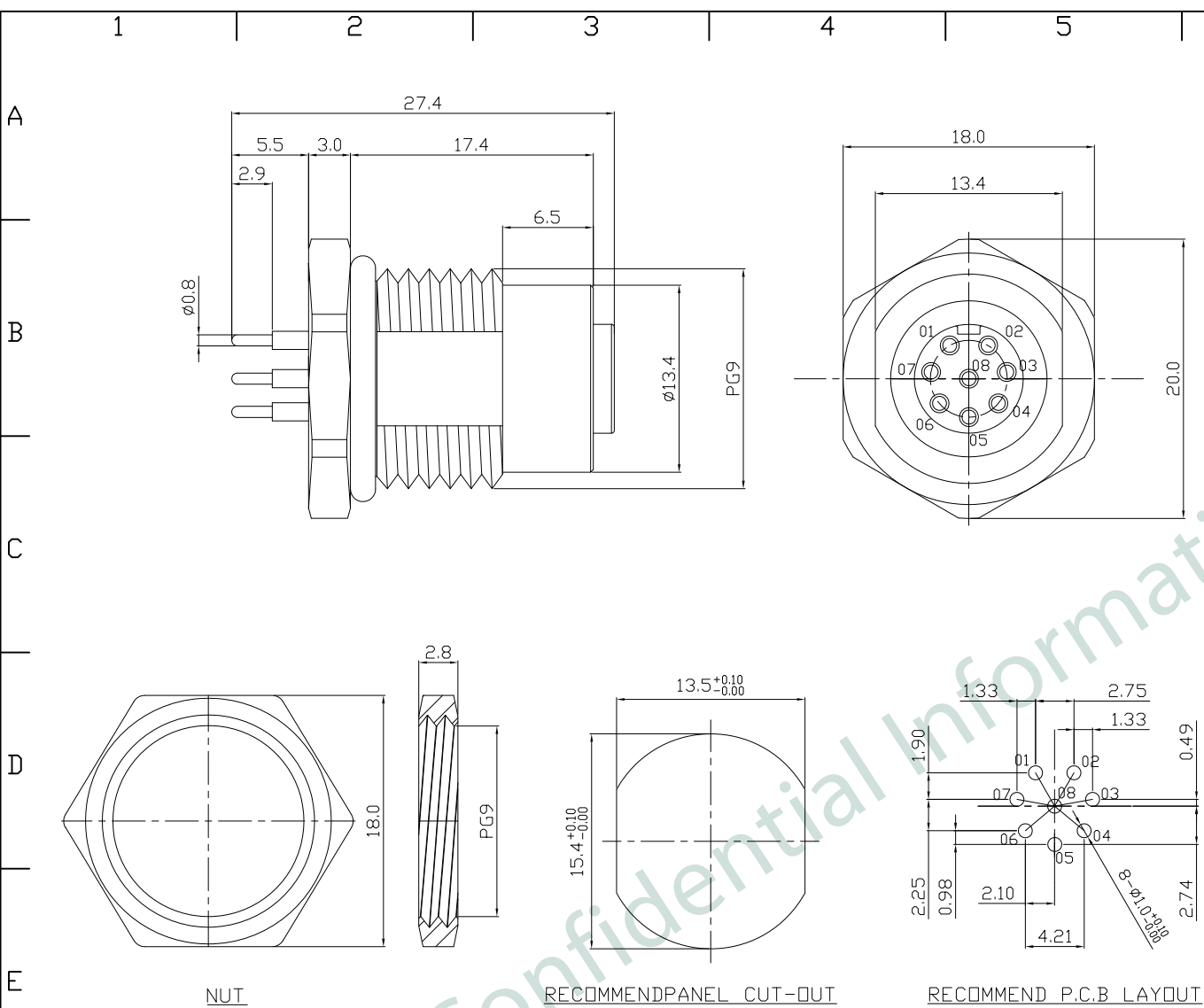


REV.	DATE	DESCRIPTION
01	Sep. 06, '19	1st RELEASE



- NOTE:
- MATERIAL:
    - 1-1. HOUSING: PBT, COLOR\_BLACK
    - 1-2. CONTACT: BRASS.
    - 1-3. SHELL: BRASS.
    - 1-4. NUT: BRASS.
    - 1-5. O-RING: EPDM
  - FINISH:
    - 2-1. CONTACT: GOLD 10u"
    - 2-2. SHELL: NICKEL PLATED.
    - 2-3. NUT: NICKEL PLATED.
  - ELECTRICAL SPECIFICATION:
    - 3-1. RATED CURRENT: 5A
    - 3-2. RATED VOLTAGE: 125V
    - 3-3. WATER PROOF: IPX7
  - ENVIRONMENTAL:
    - 4-1. OPERATION TEMPERATURE: -40℃~85℃
  - UNSPECIFIED TOLERANCE:
    - .XXX ±0.05
    - .XX ±0.10
    - .X ±0.20

KWPA-2FP-8-001-XXX

SERIAL NO. 2: M12      CUSTOMER CODE

LEFT CONNECTOR F: FEMALE      SERIAL NUMBER

SEPC CODE P: PANEL      SPEC 8: 8 PIN

PART NO KWPA-2FP-8-001-XXX				
TITLE	WATERPROOF, M12(F), 8PIN, PANEL			
REV : 01				
UNIT	DRAWN	CHKD	DATE	SHEET
mm[inch]	CINDY	VINCENT	Sep. 06, '19	1 of 1