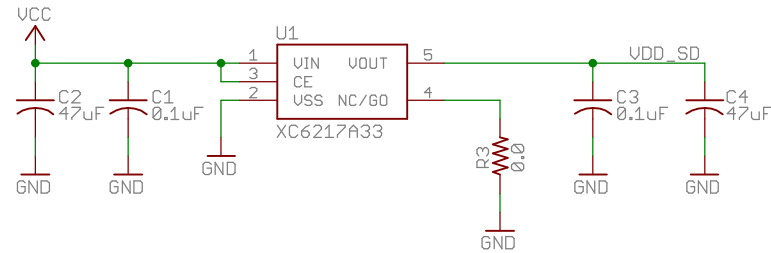
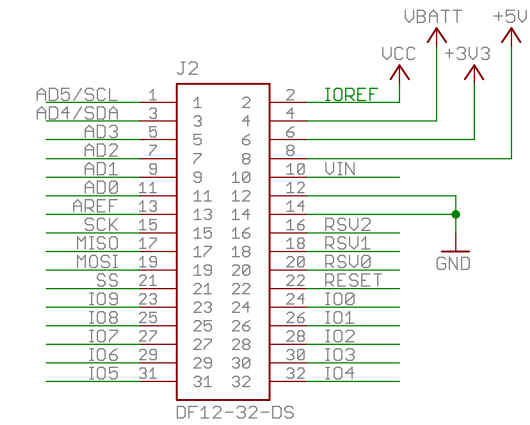


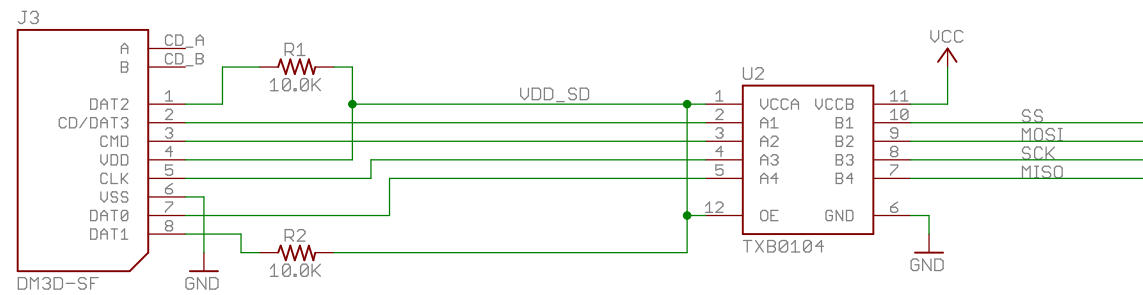
3.3V Power Supply



TinyShield Expansion - Bottom

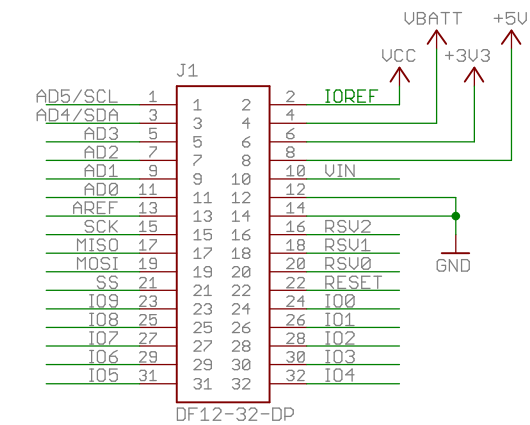


microSD Card Connector



Level Shifter

TinyShield Expansion - Top



Released under the Creative Commons Attribution Share-Alike 3.0 License
<http://creativecommons.org/licenses/by-sa/3.0>

Original Arduino Uno Design by Team Arduino
 LilyPad Arduino Design by Leah Buechley and Sparkfun Electronics
 TinyDuino, TinyLily and TinyShield Designs by TinyCircuits

		http://www.TinyCircuits.com	
TITLE: TinyShield - microSD Card			
Document Number: AS-SCH-ASD2201			REV: 2
Date: 2/21/2016 6:53:34 PM			Sheet: 1/1