



LAYOUT SHOWN AS EXAMPLE

Keying Shown as example

**CHARACTERISTICS**

- Standard : Based on MIL-DTL-38999 Series III
- Shell Material : Aluminium
- Shell Plating : Olive drab Cadmium
- Insulator : Thermoplastic
- Contacts : Copper Alloy
- Seals & Grommet : Silicon Elastomer
- Contact Plating : Gold over copper Alloy 0.8µm minimum
- Durability : 500 Mating cycles
- Delivered with Souriau contacts and Accessories
- Temperature Range : -65°C to +175°C
- Salt Spray : 500 hours
- Mass : 19.54 g ± 10%

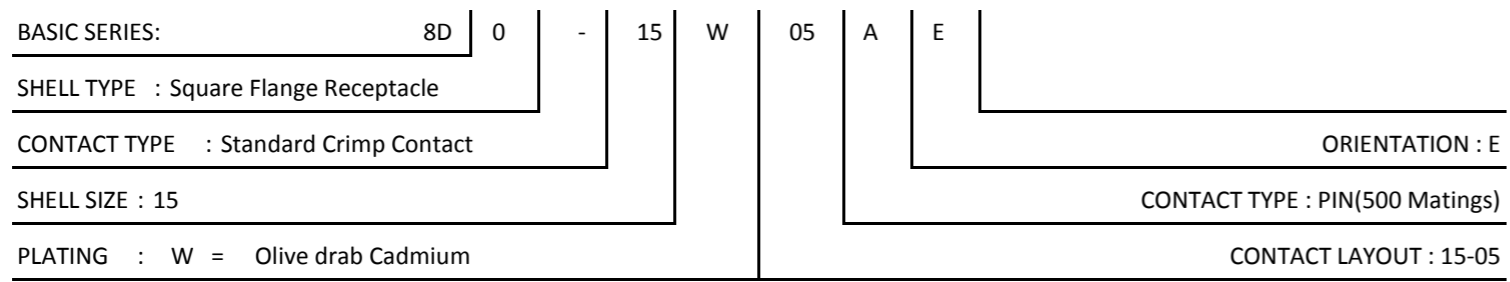
| Connector dimension |               |
|---------------------|---------------|
| Dim                 | Nominal       |
| P                   | 3.25±0.2      |
| PP                  | 4.39±0.2      |
| R1                  | 24.61         |
| R2                  | 23.01         |
| S                   | 31±0.3        |
| V                   | 20.83+0/-1.25 |
| W                   | 2.1/2.5       |
| Z                   | 31.5 Max      |
| VV THREAD           | M22x1-6g      |

SOURIAU shall not be liable for any non-conformity or damage due to a use of the Products which does not comply with the Specifications issued by either of the Parties or by a third party (professional recommendation, technical notice.)

|         |                             |
|---------|-----------------------------|
| Country | Jurisdiction & Control List |
| FR      | Not Listed                  |

**PN: 8D015W05AE**

|                |                                       |                                |   |
|----------------|---------------------------------------|--------------------------------|---|
| A              | 17-10-2016                            | First Release                  |   |
| ISS            | DATE                                  | Latest modification - by       | MOD N°  |
| Designed By:   |                                       | Date:                          | <b>CUSTOMER DRAWING</b>   |
| <b>TITLE</b>   | <b>Aluminium Receptacle 8D series</b> |                                |   |
| SCALE          | NA                                    | General linear Tolerances: ±-- | NPRDS / PROJECT<br><b>859</b>   |
| <b>SOURIAU</b> | <b>WWW.SOURIAU.COM</b>                |                                | This document is the property of SOURIAU it must not be reproduced or communicated without permission |
| FORMAT         | <b>A3</b>                             |                                | <b>SOURIAU DRG N° 8D015W05AE-C</b>  |
|                |                                       |                                | SHEET<br>1/2  |



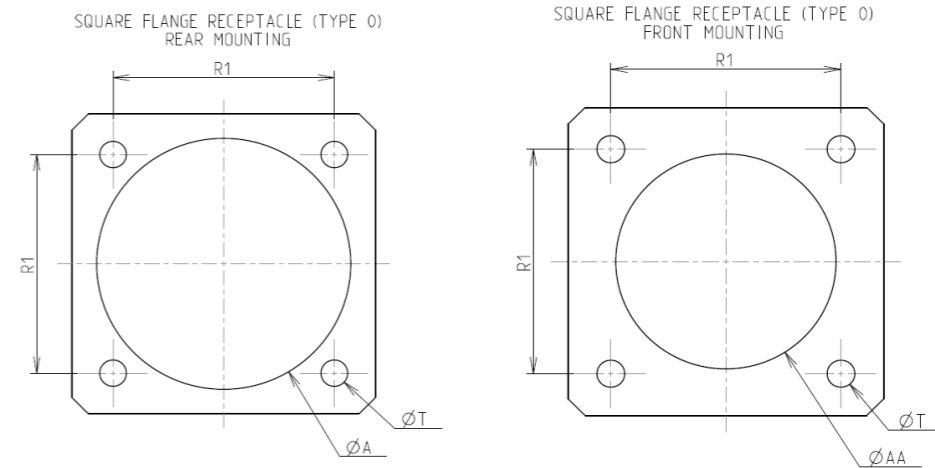
Contact Layout



| Contacts<br>(Insert arrangement 15-5) |             |             |
|---------------------------------------|-------------|-------------|
| Contact position ID                   | Location    |             |
|                                       | X-axis (mm) | Y-axis (mm) |
| A                                     | +000 (0.00) | +100 (2.54) |
| B                                     | +174 (4.42) | +024 (0.61) |
| C                                     | +094 (2.39) | -148 (3.76) |
| D                                     | -094 (2.39) | -148 (3.76) |
| E                                     | -174 (4.42) | +024 (0.61) |

| Shell size | Arrangement no. | Number of contacts | Size contacts | Service rating | Contact location | Supersedes |
|------------|-----------------|--------------------|---------------|----------------|------------------|------------|
| 15         | -5              | 5                  | 16            | II             | All              | MS20052-5  |

Panel Cutout



| Dim | Nominal    |
|-----|------------|
| ØA  | 26.59 min  |
| ØAA | 23.01 min  |
| R1  | 24.61      |
| ØT  | 3.25 ±0.13 |

SOURIAU shall not be liable for any non-conformity or damage due to a use of the Products which does not comply with the Specifications issued by either of the Parties or by a third party (professional recommendation, technical notice.)

| Country | Jurisdiction & Control List |
|---------|-----------------------------|
| FR      | Not Listed                  |

PN: 8D015W05AE

|                |                                       |                            |   |
|----------------|---------------------------------------|----------------------------|---|
| A              | 17-10-2016                            | First Release              |   |
| ISS            | DATE                                  | Latest modification - by   | MOD N°  |
| Designed By:   |                                       | Date:                      | <b>CUSTOMER DRAWING</b>   |
| <b>TITLE</b>   | <b>Aluminium Receptacle 8D series</b> |                            |   |
| SCALE          |                                       | General linear Tolerances: | NPRDS / PROJECT   |
| NA             |                                       | ±--                        | <b>859</b>  |
| <b>SOURIAU</b> | <b>WWW.SOURIAU.COM</b>                |                            | This document is the property of SOURIAU it must not be reproduced or communicated without permission |
| FORMAT         | <b>SOURIAU DRG N° 8D015W05AE-C</b>    |                            | SHEET 2/2   |