

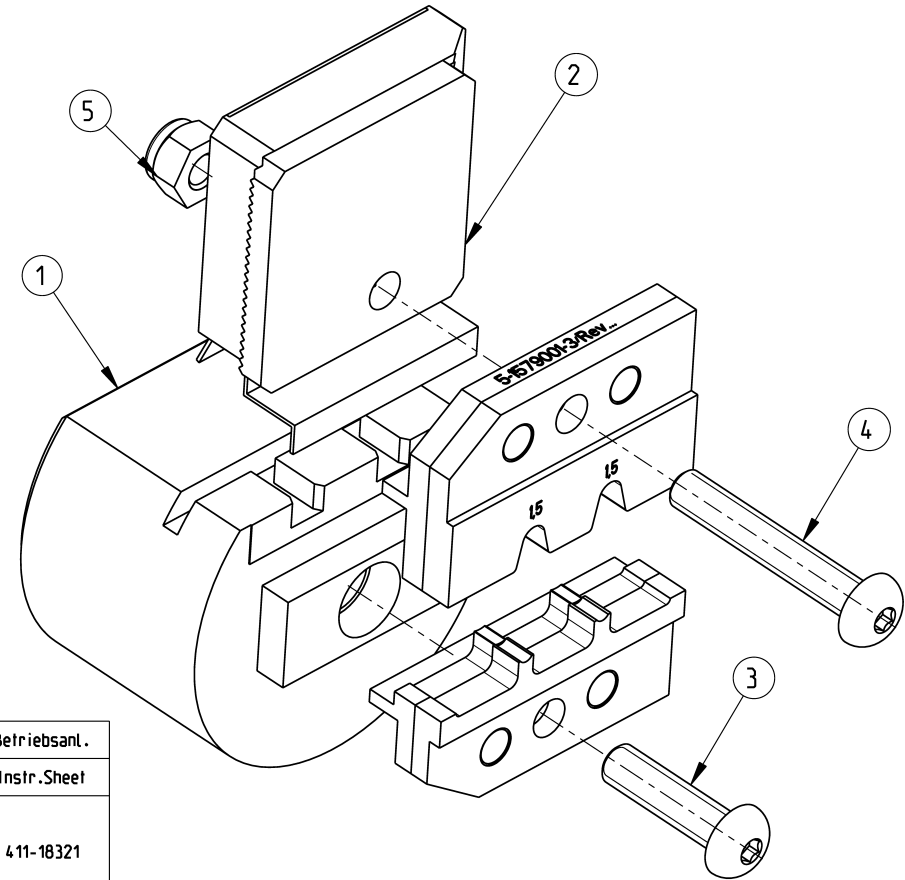
THIS DRAWING IS UNPUBLISHED. RELEASED FOR PUBLICATION 2009
 © COPYRIGHT 2009 BY TYCO ELECTRONICS CORPORATION. ALL INTERNATIONAL RIGHTS RESERVED.

LOC	DIST	REVISIONS			
P	LTR	DESCRIPTION	DATE	DWN	APVD
A	I	INITIAL REVISION	28 JUN 2010	wi	wi

ERGOCRIMP DIE SET FOR MCP-1,5K CONTACTS 1,5 mm² and 1,5 mm² SWS
 Ergocrimp-Matrize fuer MCP-1,5K Kontakte 1,5 mm² und 1,5 mm² EDS

Matrize in Kombination mit Ergocrimp Basishandzange PN 539635-1 verwenden
 Use die in combination with Ergocrimp basis hand tool PN 539635-1

Matrize im Karton mit Bedienungsanleitung 411-18321 verpackt
 Die packed in a cardboard with instruction sheet 411-18321



5-1579001-3	1	1-0744011-0	Instruction Sheet	Bedienungsanleitung	6
	1	0-0519024-2	Nut M4 DIN 985	Mutter M4 DIN 985	5
	1	1-0519151-3	Screw M4x25	Schraube M4x25	4
	1	1-0519151-1	Screw M4x16	Schraube M4x16	3
	1	5-1579015-0	Locator Assembly	Drahtanschlag	2
	1	4-1579015-5	Contact Locator	Kontaktpositionierer	1
QTY	TE	PN	Description	Benennung	Pos.
Stck					

Kontakt	AWG (mm ²)	Drahtcrimp / Wire Crimp		Isolationscrimp/Insulationcrimp		Isol.Ø	Betriebsanl.
Contact	Wire Range	Hoehe/Height mm	Breite/Width mm	Hoehe/Height mm	Breite/Width mm	Ins.Range	Instr.Sheet
1534335	1.50	1.44 ±0.03	2.03 F	2.50	2.54 0	2.2-2.4	411-18321
1418885	1.50	1.44 ±0.03		3.40	3.40 0		
-----	----	-----		-----	-----		

<small>THIS DRAWING IS A CONTROLLED DOCUMENT FOR TYCO ELECTRONICS CORPORATION IT IS SUBJECT TO CHANGE AND THE CONTROLLING ENGINEERING ORGANIZATION SHOULD BE CONTACTED FOR THE LATEST REVISION.</small>		DWN	25 JUN 2010		tyco Electronics AMP GmbH D - 64625 Bensheim
DIMENSIONS:		CHK	-		
mm		APVD	-		NAME ERGOCRIMP DIE SET MCP1,5K 1,5 SQMM Ergocrimp Matrize MCP 1,5K 1,5 sqmm
		PRODUCT SPEC	-		
TOLERANCES UNLESS OTHERWISE SPECIFIED: 0 PLC ±.4 1 PLC ±.4 2 PLC ±.4 3 PLC ±.4 4 PLC ±.4 ANGLES ±.4		APPLICATION SPEC	-		
MATERIAL		WEIGHT	200 g		SIZE CAGE CODE DRAWING NO A3 00779 C-5-1579001-3
FINISH		-		RESTRICTED TO	-
CUSTOMER DRAWING				SCALE	2:1 SHEET 1 OF 1 REV A