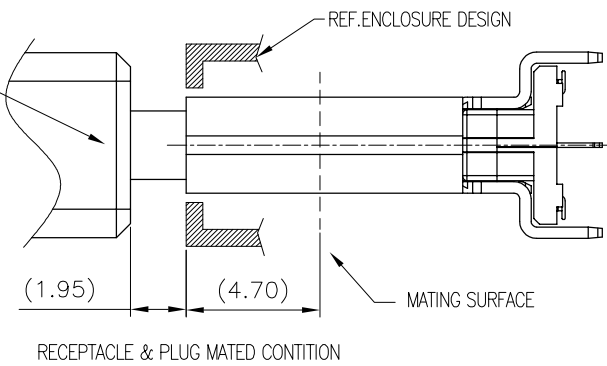


TYPE C PLUG OVER MOLDING



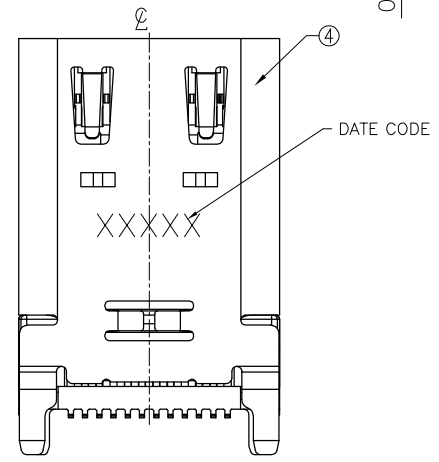
RECEPTACLE & PLUG MATED CONDITION

NOTES:

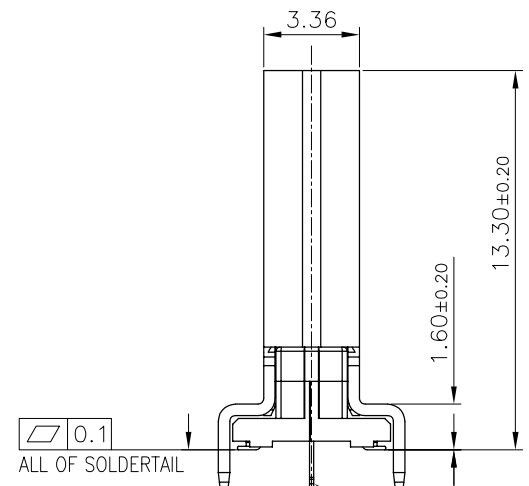
1. MATERIAL:
 - 1.1 HOUSING: THERMOPLASTIC, HIGH TEMP., UL94V-0;
 - 1.2 CONTACT: HIGH CONDUCTIVITY COPPER ALLOY
 - 1.3 MID-PLATE: STAINLESS STEEL
 - 1.4 OUTER SHELL: STAINLESS STEEL
2. FINISH:
 - 2.1 CONTACT:
 - 2.GOLD FLASH ON CONTACT FOR LEAD FREE.
 - D.30u" Au ON CONTACT FOR LEAD FREE.
 - 80u" NICKEL UNDERPLATING OVERALL.
 - SOLDER TAILS: TIN 60u" MIN. OVER NICKEL.
 - 2.2 MID-PLATE & SHELL :
 - 50u" MIN SOLDERABLE NICKEL UNDERPLATING OVERALL.
3. SPEC. PLS. REFER TO PS-55907-xxxx-xxx
4. PACKAGE PLS REFER TO 31893-xxxx-002-PCK
5. PART NUMBER

31893-024 X X-002

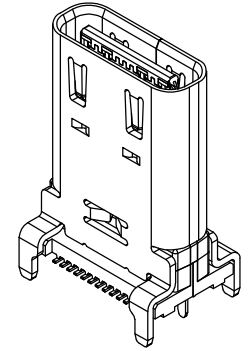
NO OF CKT _____
 PACKING 7: TAPE & REEL WITH COVER
 PLATING D: 30u" Au
 2: GOLD FLASH



DATE CODE

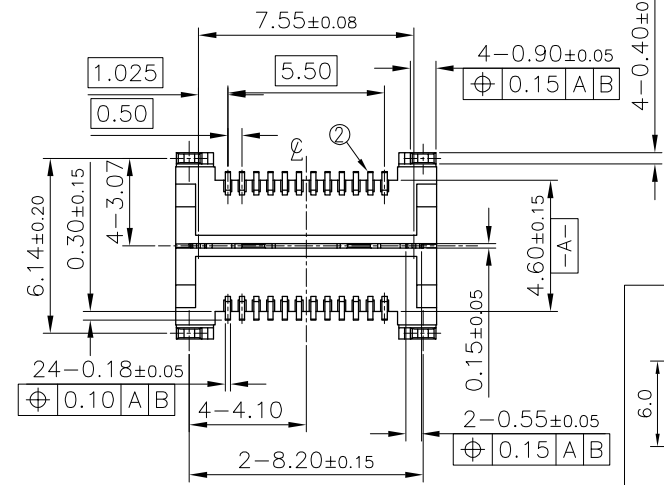


0.1
ALL OF SOLDER TAIL



5	CAP	1
4	SHELL	1
3	MID-PLATE	1
2	CONTACT	24
1	HOUSING	1
ITEM	DESCRIPTION	Q'TY

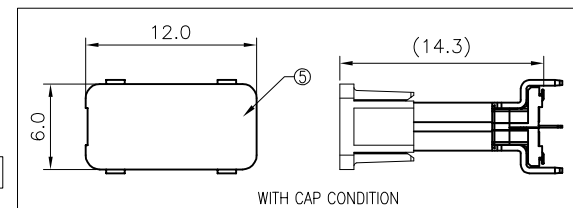
A12	GND	B1	GND
A11	SSRXp2	B2	SSTXp2
A10	SSRXn2	B3	SSTXn2
A9	VBUS	B4	VBUS
A8	SBU1	B5	CC2
A7	Dn1	B6	Dp2
A6	Dp1	B7	Dn2
A5	CC1	B8	SBU2
A4	VBUS	B9	VBUS
A3	SSTXn1	B10	SSRXn1
A2	SSTXp1	B11	SSRXp1
A1	GND	B12	GND
PIN	SIGNAL NAME	PIN	SIGNAL NAME



4-0.40±0.05

2-1.30±0.15
(MID-PLATE)

4-1.30±0.15
(SHELL)



WITH CAP CONDITION

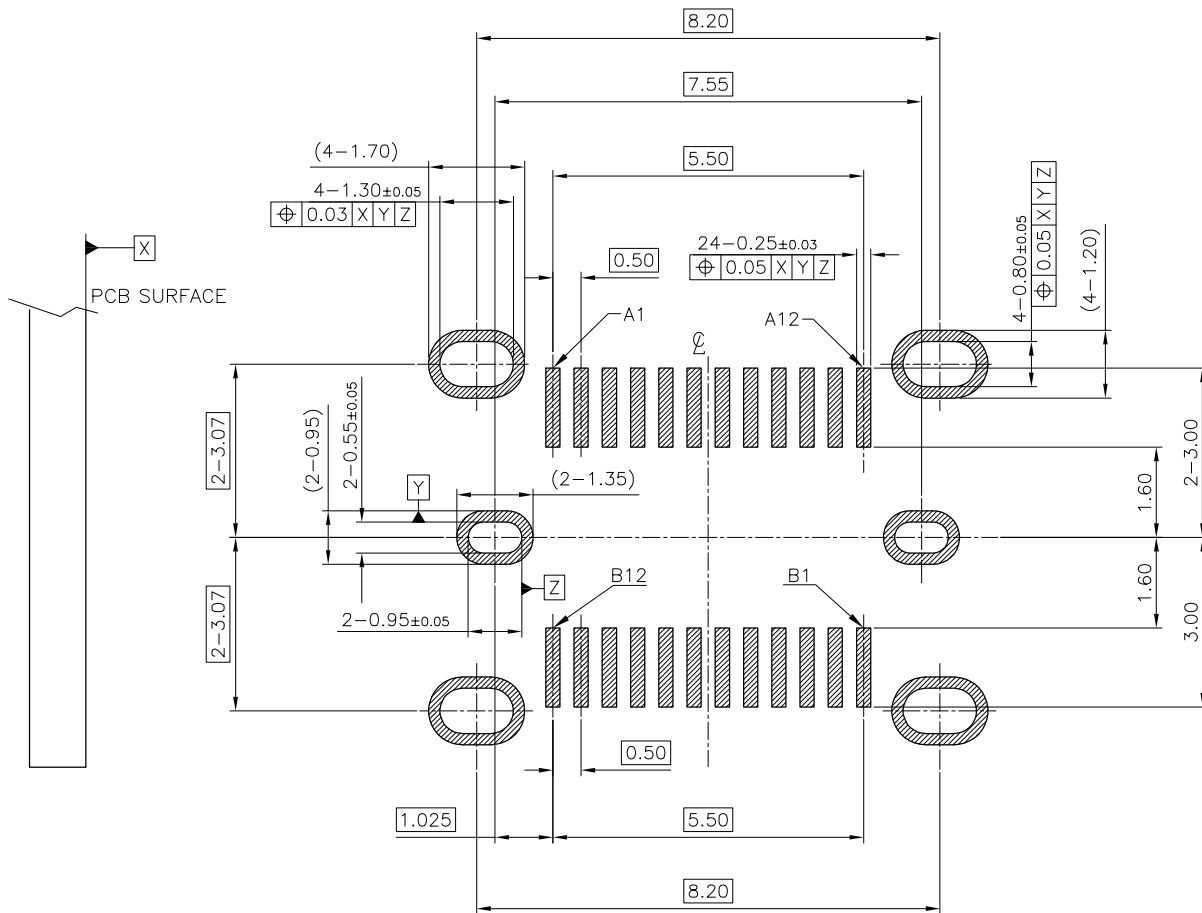
QUALITY SYMBOLS		DRAWN BY	DATE
MAJOR	⊕	Hsu, Wei Chun	19/10/28
CRITICAL	⊗	CHECKED BY	DATE
GENERAL TOLERANCES (UNLESS SPECIFIED)		Chang, Chun Te	19/10/28
X. ±0.5		APPROVED BY	DATE
.X ±0.25		Kuo, Rong Hsun	19/10/28
.XX ±0.15			
.XXX ±0.1			
ANGLES ±2°			

ACES ELECTRONICS

TITLE: **USB TYPE C REC CONN. VERTICAL TYPE**

SIZE: **A4** DWG NO.: **31893-024XX-002**

SCALE: **4:1** SHEET NO.: **1 OF 2** REV: **B** PART NO.: **SEE NOTES**



RECOMMENDED PCB LAYOUT
TOP VIEW
SCALE 8:1
(TOLERANCE=±0.05mm)

- NOTES:
- 1.0 ELECTRICAL CHARACTERISTICS:
 - 1.1 LOW LEVEL CONTACT RESISTANCE:
INITIAL : 40mΩ FOR ALL CONTACT MAX.
AFTER : 10mΩ MAX. CHANGE.
 - 1.2 DIELECTRIC WITHSTANDING VOLTAGE :
100 VAC FOR 1 MINUTE SEA LEVEL.
 - 1.3 INSULATION RESISTANCE :
100MΩ MIN.
 - 1.4 CURRENT RATING :
VBUS AND GND CONTACT RATED AT 1.25 A EA .
PARALLELED FOR A TOTAL OF 5A .
 - 2.0 MECHANICAL CHARACTERISTICS :
 - 2.1 INSERTION FORCE : 5N~20N .
 - 2.2 EXTRACTION FORCE : 8N~20N INITIAL , 6N~20N FINAL.
 - 2.3 DURABILITY : 10,000 CYCLES

QUALITY SYMBOLS MAJOR Ⓢ CRITICAL Ⓢ	DRAWN BY Hsu, Wei Chun	DATE 19/10/28		
	CHECKED BY Chang, Chun Te	DATE 19/10/28		
GENERAL TOLERANCES (UNLESS SPECIFIED) X. ±0.5 .X ±0.25 .XX ±0.15 .XXX ±0.1 ANGLES ±2°	APPROVED BY Kuo, Rong Hsun	DATE 19/10/28	TITLE USB TYPE C REC CONN. VERTICAL TYPE	
	UNITS mm		SIZE A4	DWG NO. 31893-024XX-002
SCALE 4 : 1	SHEET NO. 2 OF 2	REV B	PART NO. SEE NOTES	