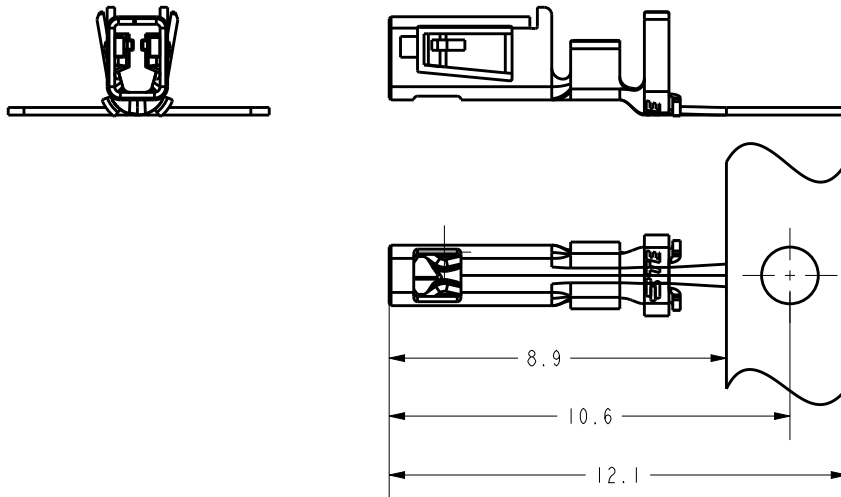
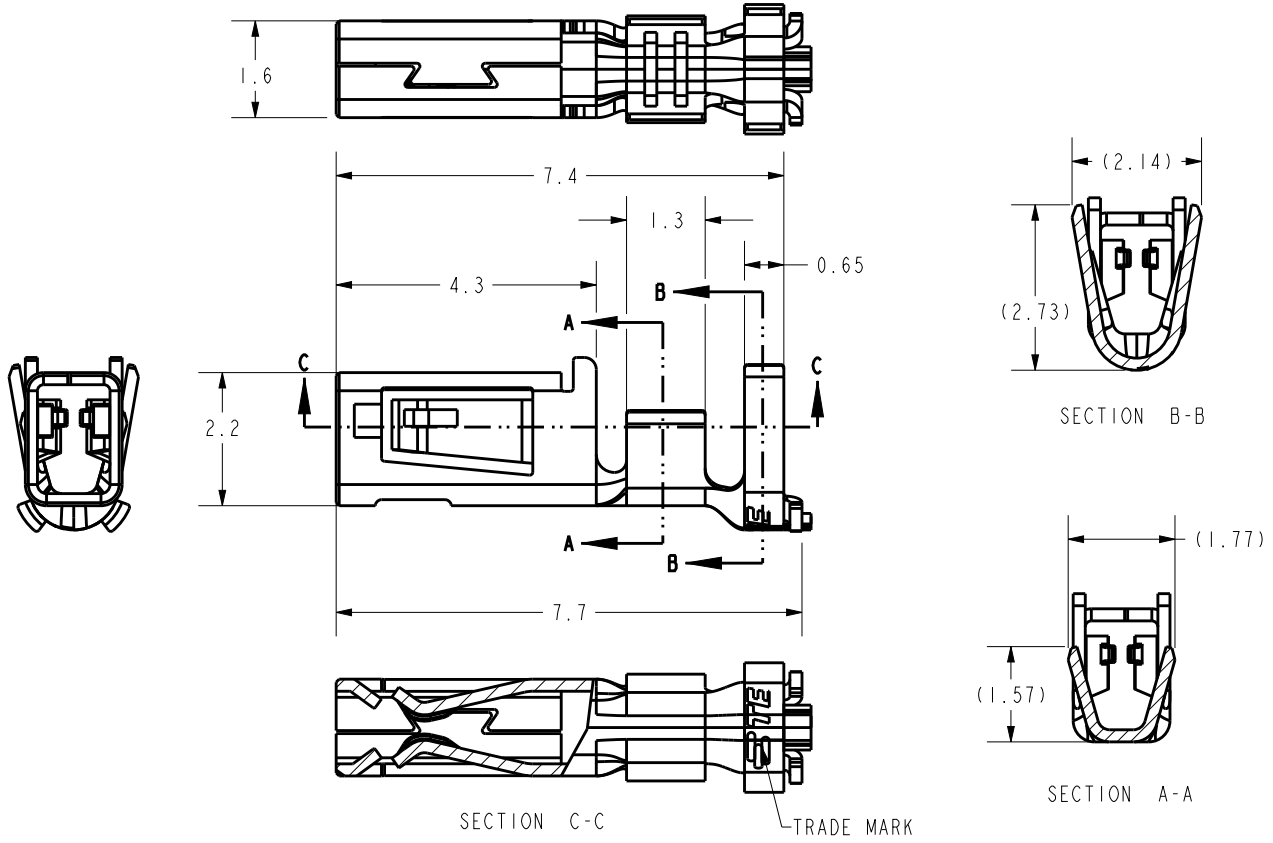


REVISIONS					
P	LTR	DESCRIPTION	DATE	DWN	APVD
	A	FIRST RELEASED	11SEP2018	C.X	D.Z



1. APPLICABLE PLUG HOUSING P/N X-1971793-X

AWG#22-#28	1.08~1.50	PRE-TIN COPPER ALLOY	7	2232557-1
WIRE RANGE	INSULATION DIA	MATERIAL	APPL FEED	PART NO.

20
RELEASED FOR PUBLICATION

ALL RIGHTS RESERVED.

BY -

© COPYRIGHT 20

DIMENSIONS:	
mm	
TOLERANCES UNLESS OTHERWISE SPECIFIED:	
0 PLC	±-
1 PLC	±0.3
2 PLC	±0.20
3 PLC	±-
4 PLC	±-
ANGLES	±-

DWN	11-JAN-17	MATERIAL	SEE TABLE	FINISH	-
ANNIE QIAN					
CHK	16JAN17				
DANIEL ZHANG					
APVD	16JAN17				
DANIEL ZHANG					
PRODUCT SPEC	108-106077	NAME	RECEPTACLE CONTACT, 2.5 PITCH NEXT GENERATION GI CONNECTOR		
APPLICATION SPEC	114-106077	SIZE	CAGE CODE	DRAWING NO	RESTRICTED TO
WEIGHT	-	A4	00779	©-2232557	-
CUSTOMER DRAWING		SCALE	SHEET	OF	REV
					A

TE Connectivity