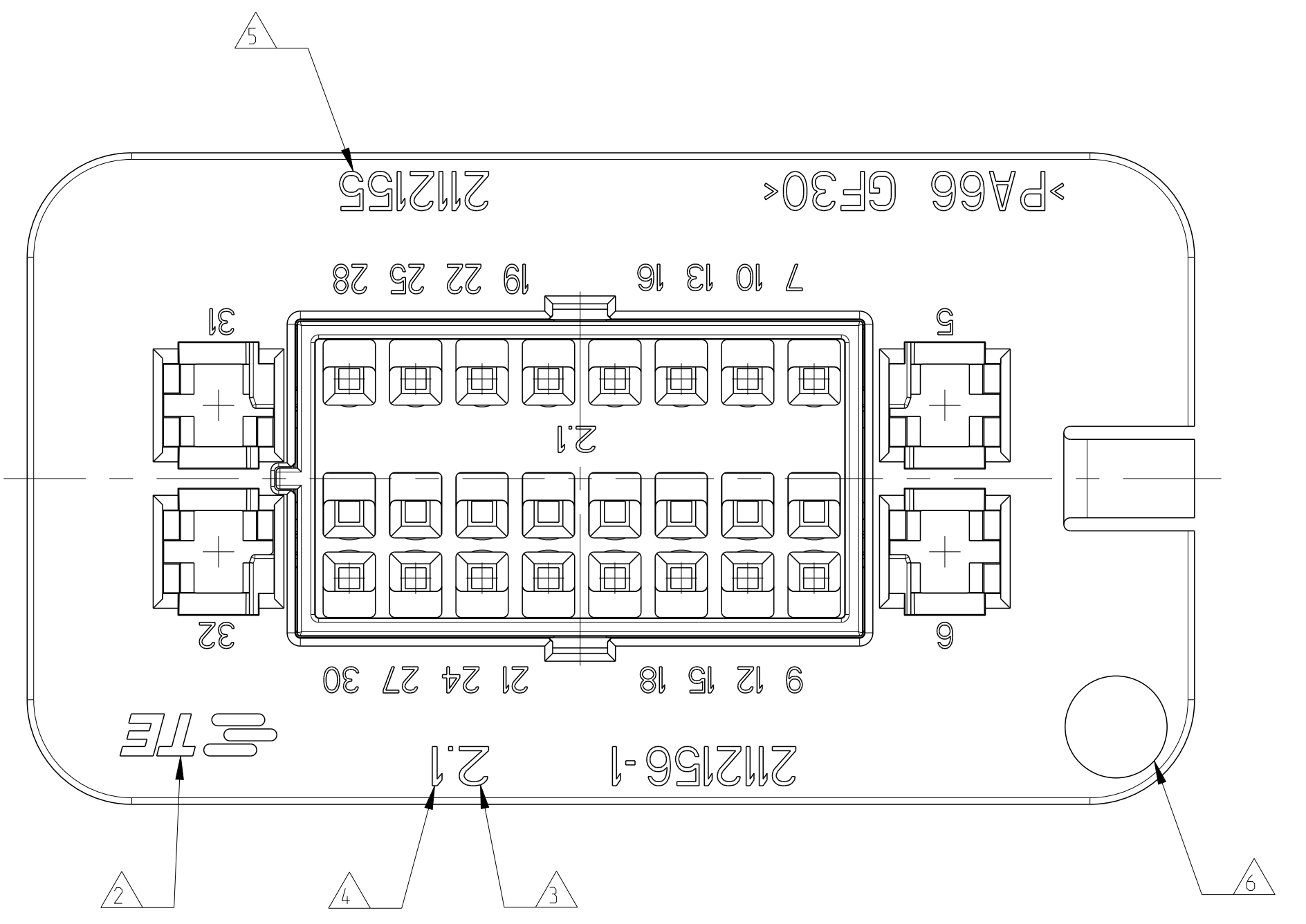
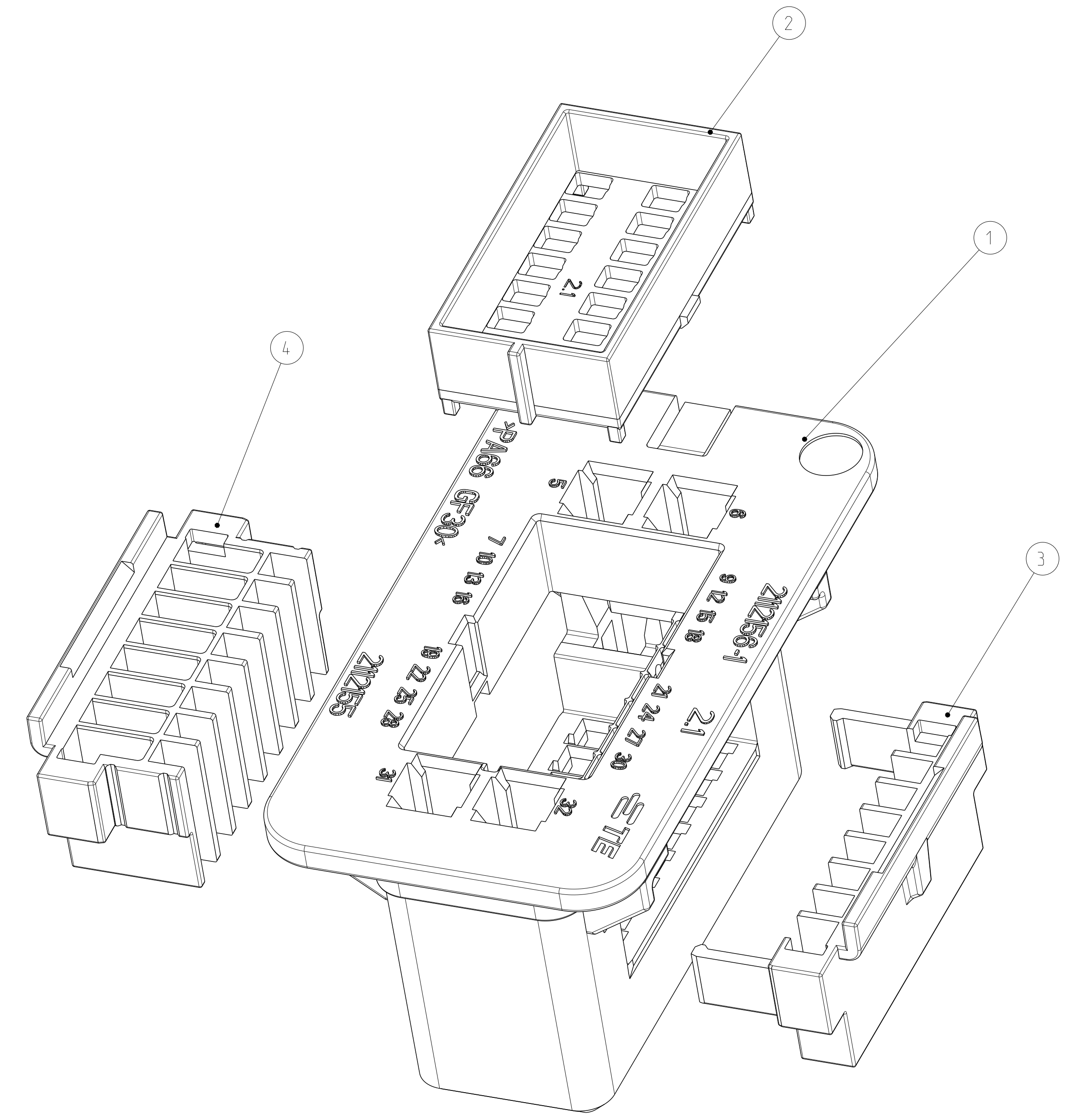
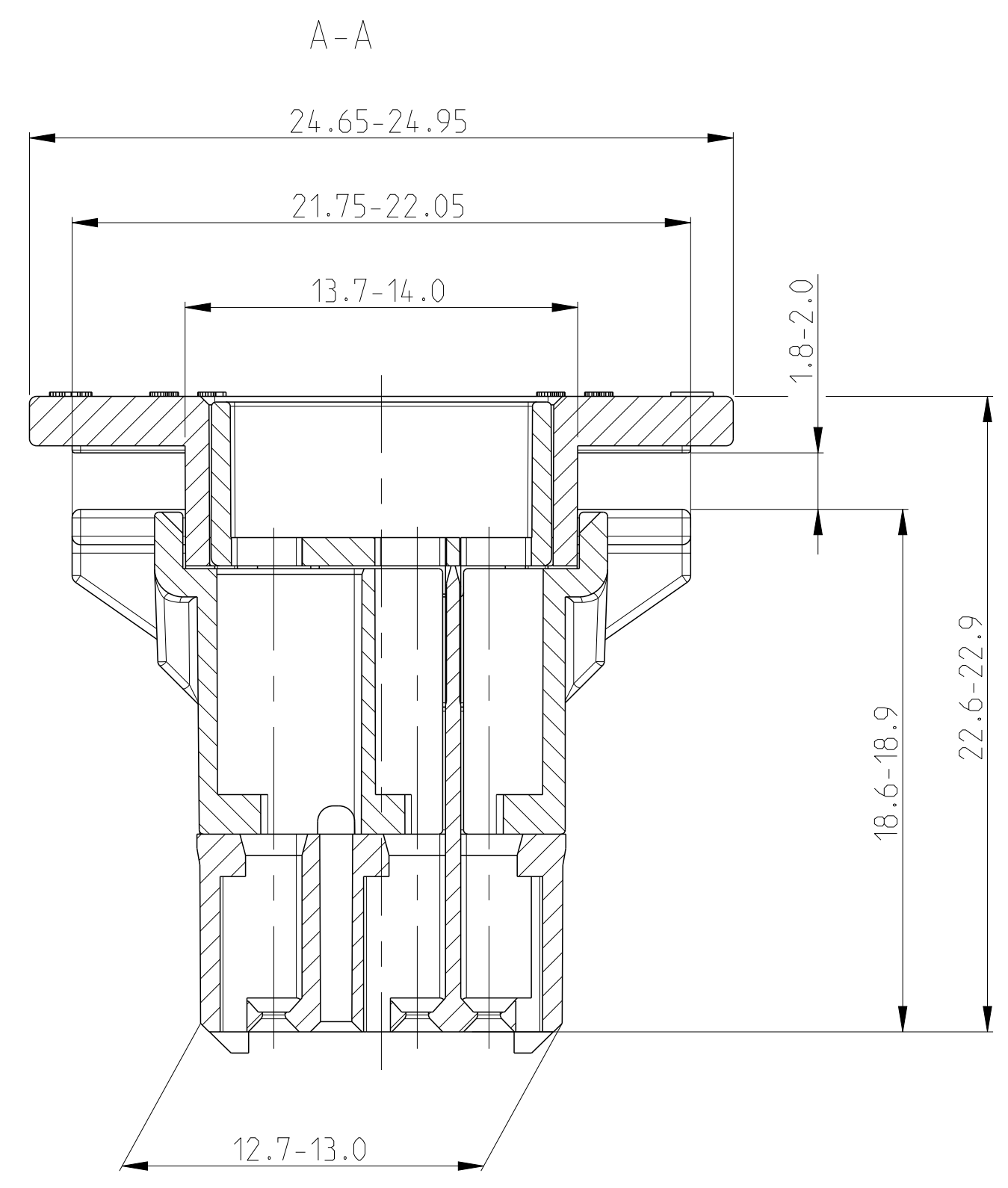
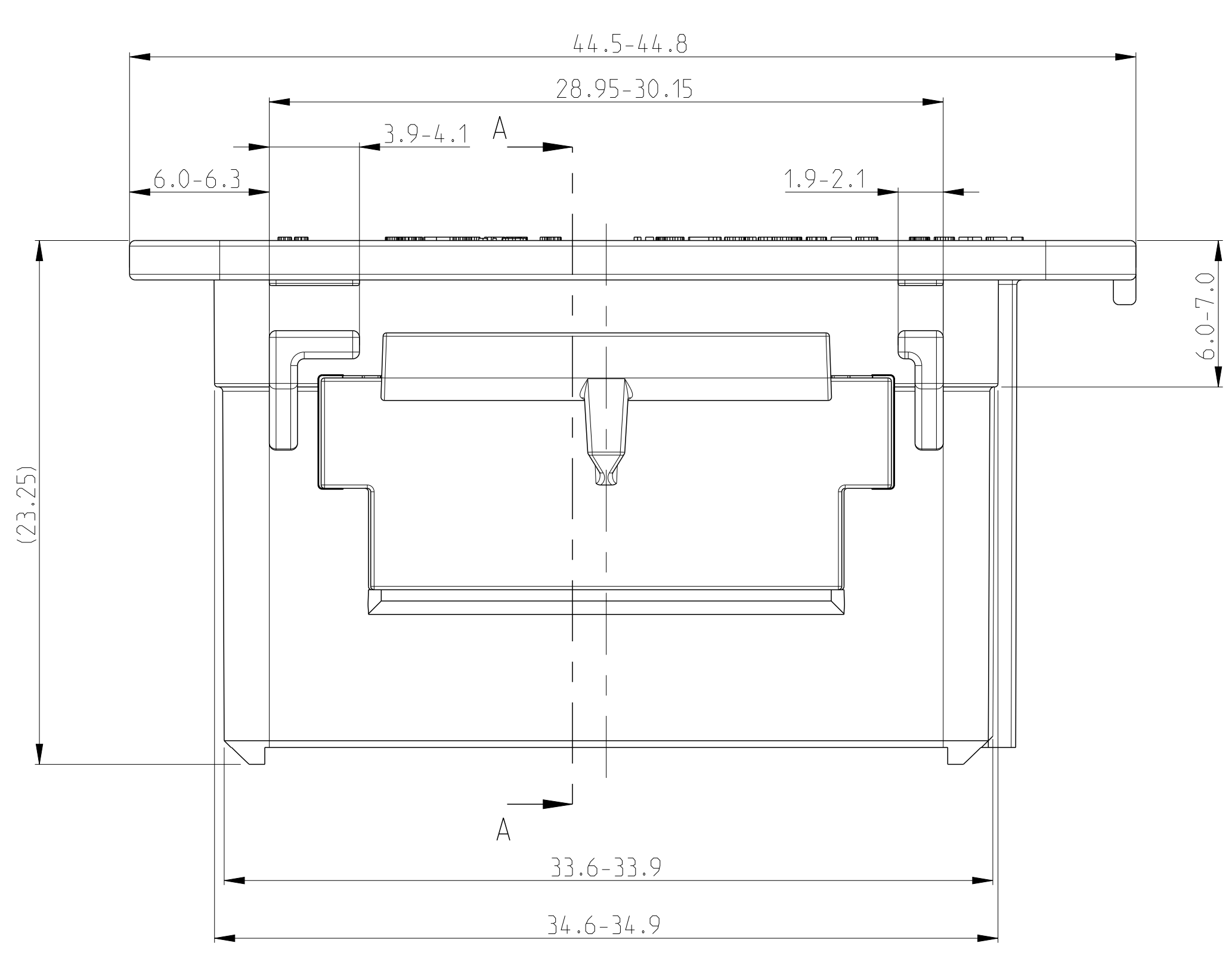
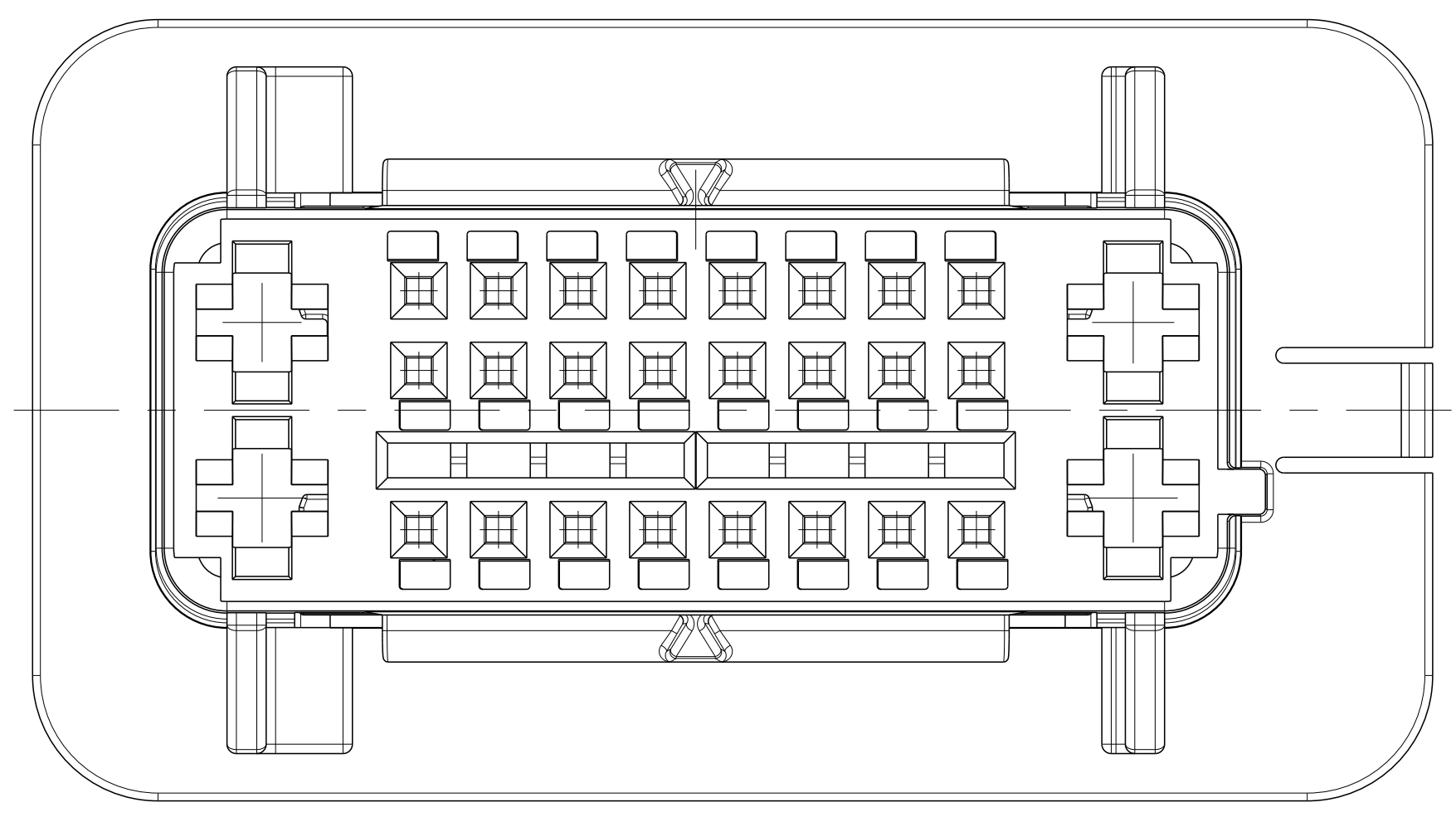


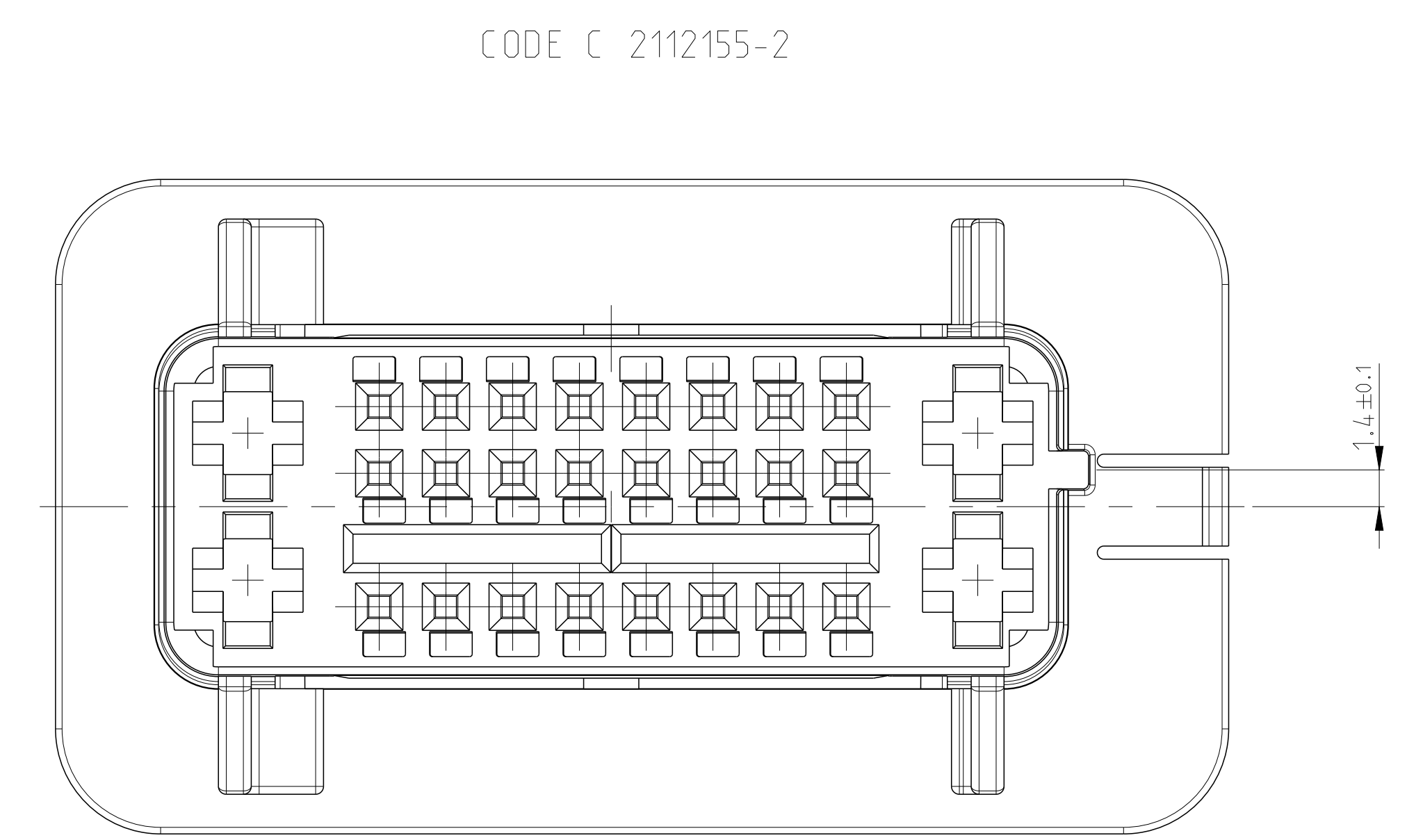
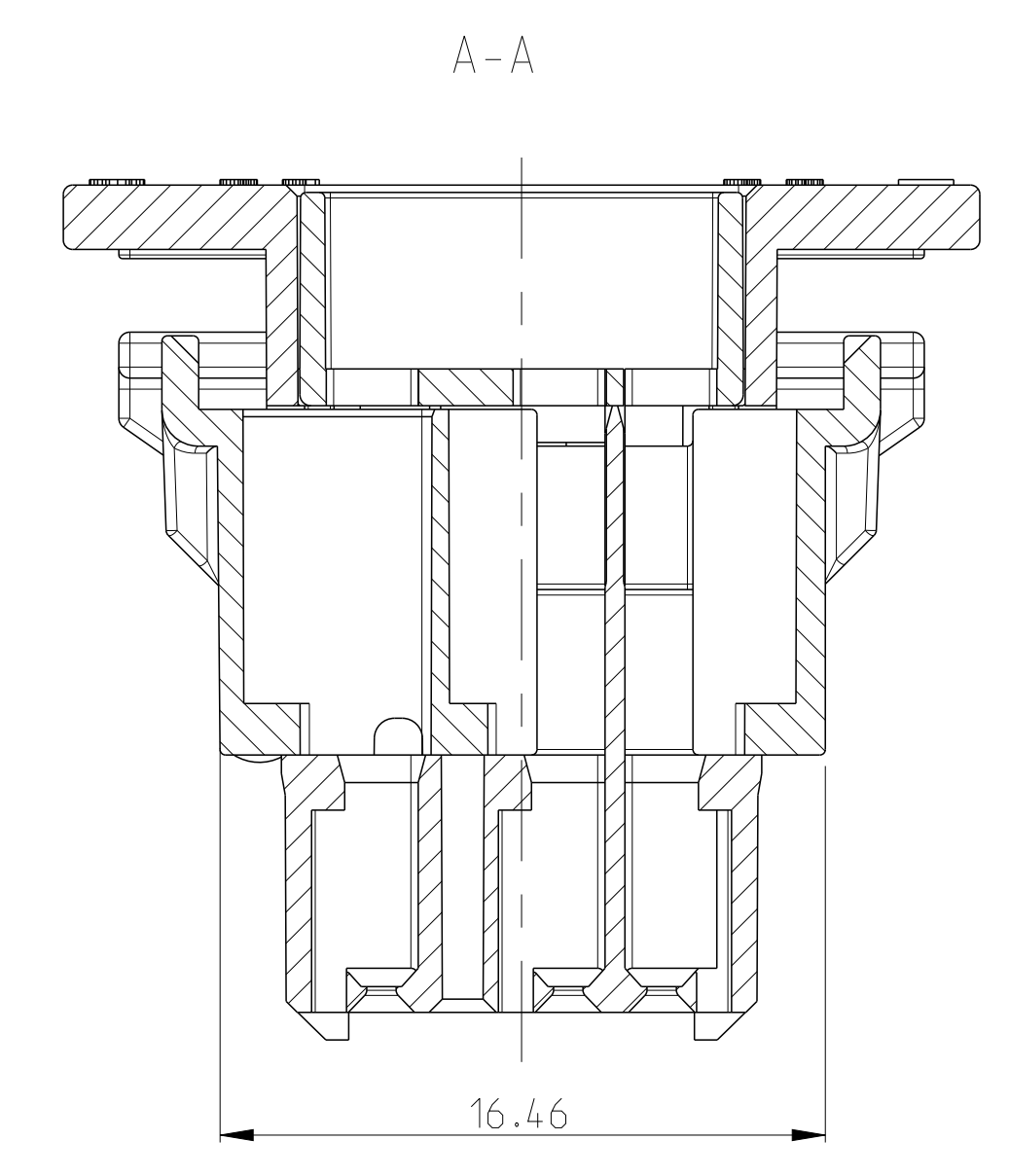
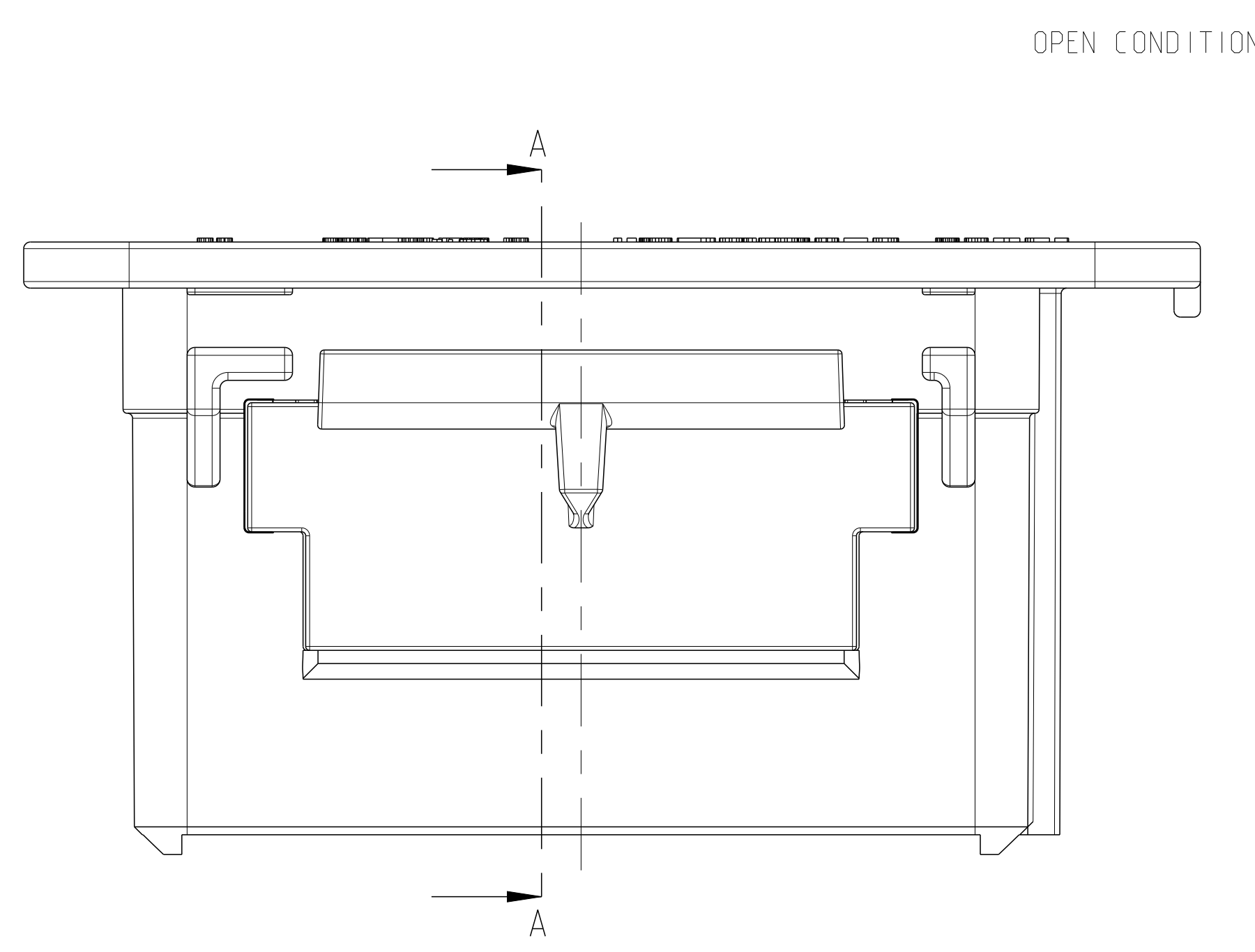
REVISIONS				
REV	DATE	DESCRIPTION	BY	APPD
A3	17SEP2010	ECR-10-019349	SPB	BB
B	05DEC2014	NEW LOGO, MARKING PLASTIC CAVITY	RC	JL
C	04APR2019	TPA LARGE modified	RC	JL



CODE A 2112155-1 AS SHOWN

NOTES

- 1. SHIP WITH TPAs IN CLOSED POSITION
- △ UPDATE LOGO ON NEW MOLD
- △ MOLD IDENTIFICATION
- △ NUMBER PLASTIC CAVITY
- △ REFERENCE PART
- △ DATE CODE



QTY	DESCRIPTION	WEIGHT (g)	COLOUR	TEM NO	
1	TPA LARGE		RED	4	
1	TPA SMALL		RED	3	
1	Retainer TPA		RED	2	
1	RECEPTACLE HOUSING		BLACK	1	
1	RECEPTACLE HOUSING		BLACK	1	
2112155-2	2112155-1	DESCRIPTION	WEIGHT (g)	COLOUR	TEM NO

THIS DRAWING IS A CONTROLLED DOCUMENT. DATE: 30DEC2009

DESIGNER: Vijay_Pai, CHECKED: Shashidhar_Maitry, APPROVED: BOB_BAKER

PRODUCT SPEC: RECEPTACLE ASSY

APPLICATION SPEC: -

MATERIAL: - FINISH: - WEIGHT: -

Customer Drawing

SCALE: 5:1 SHEET 1 OF 1 REV C