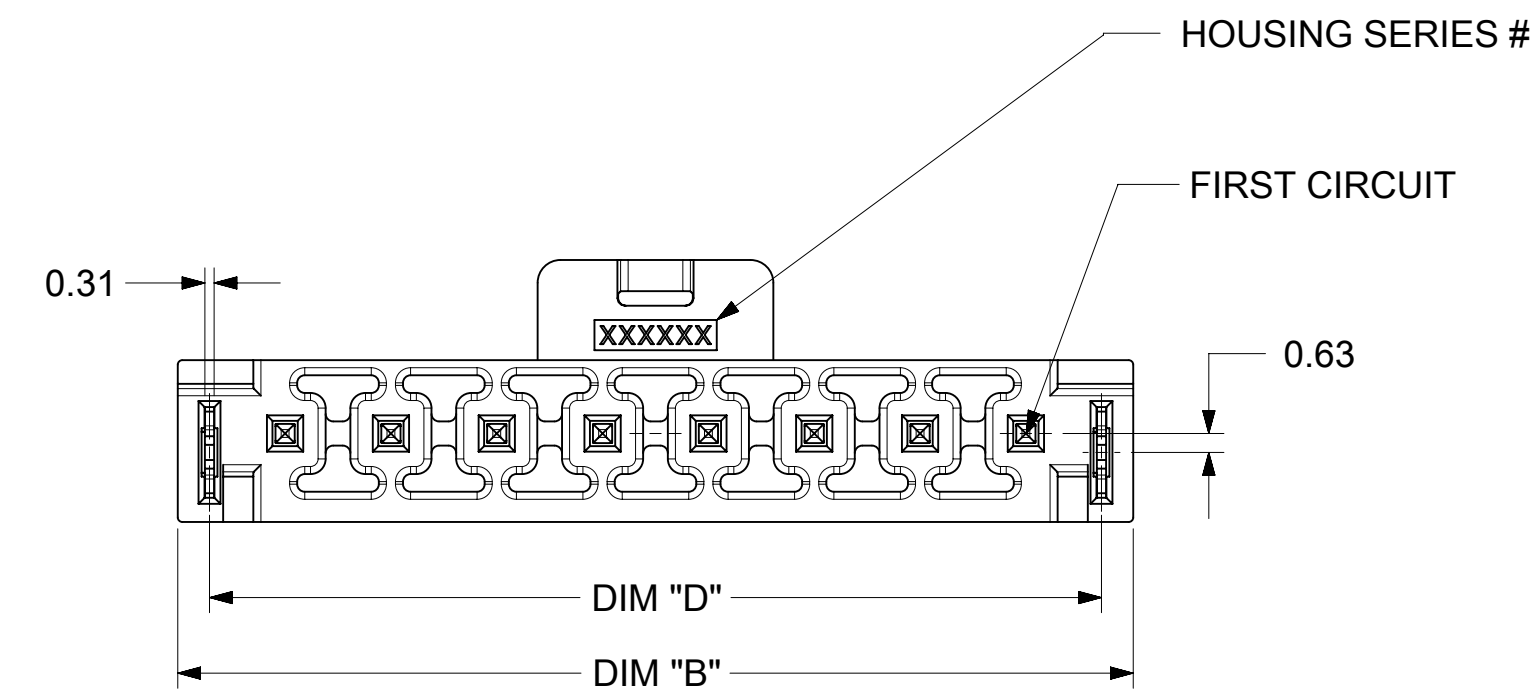
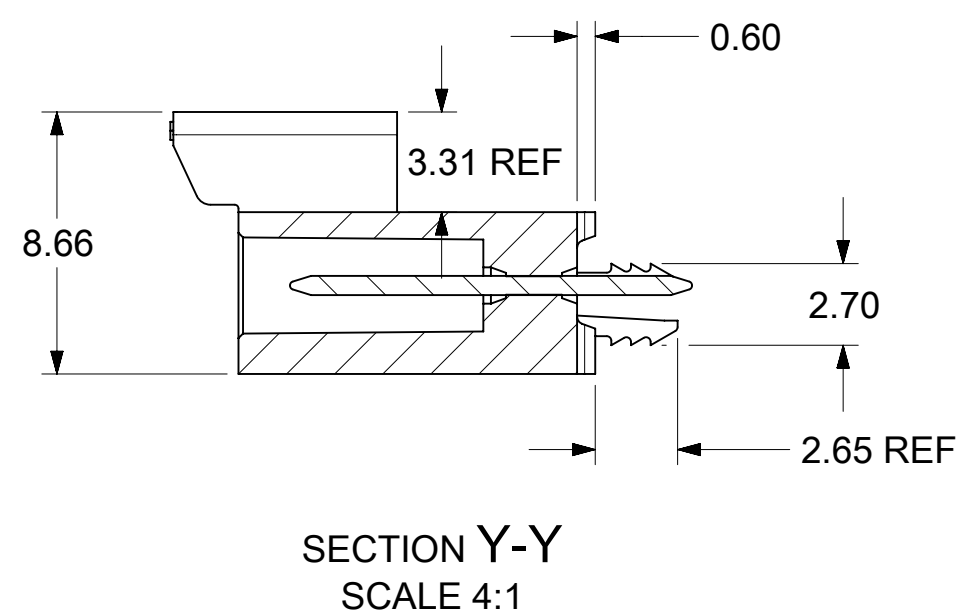
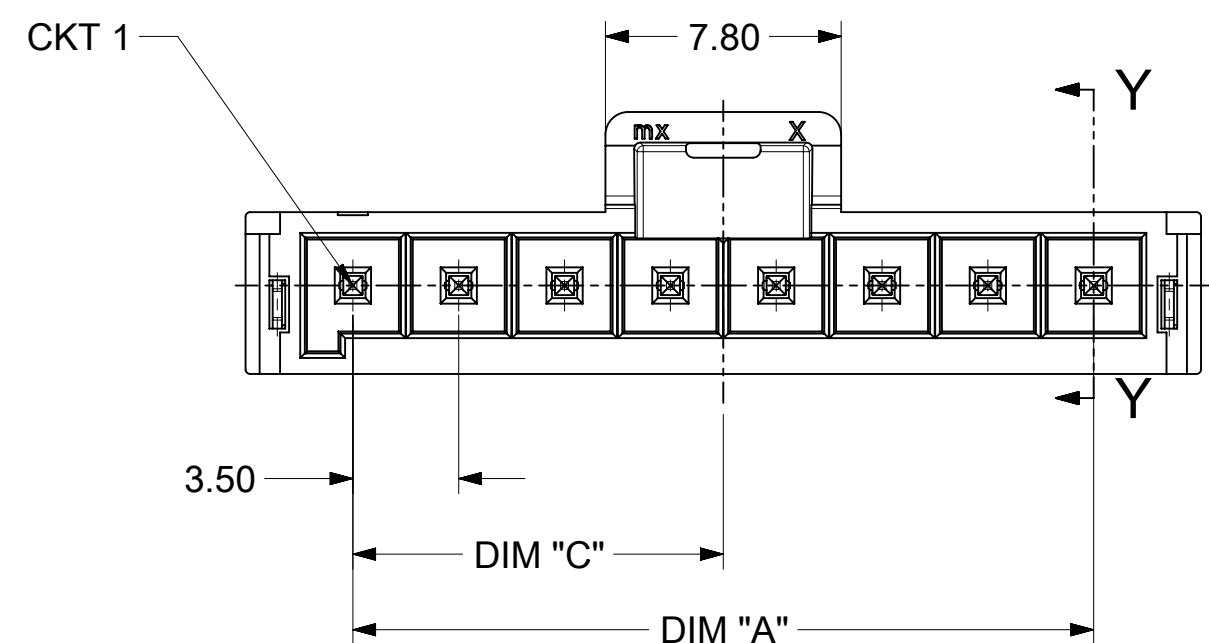
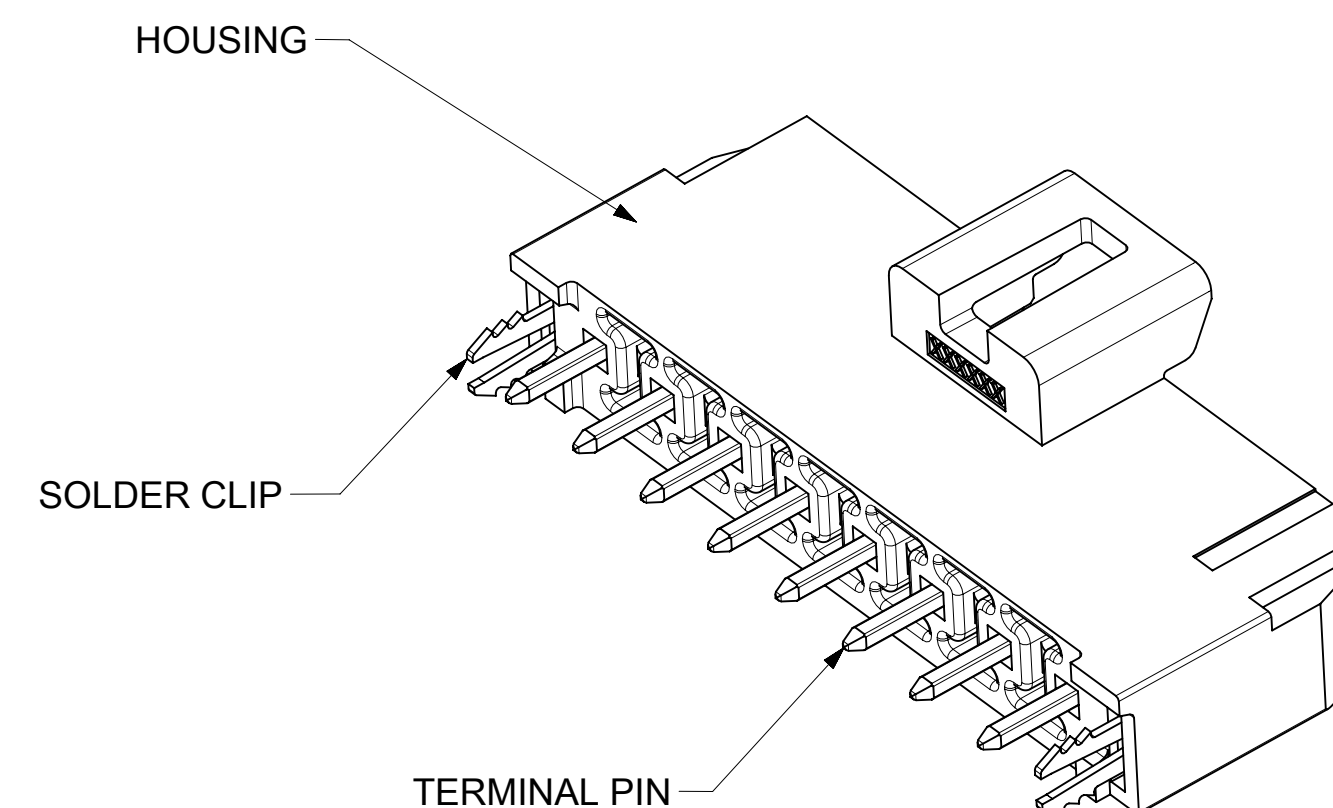
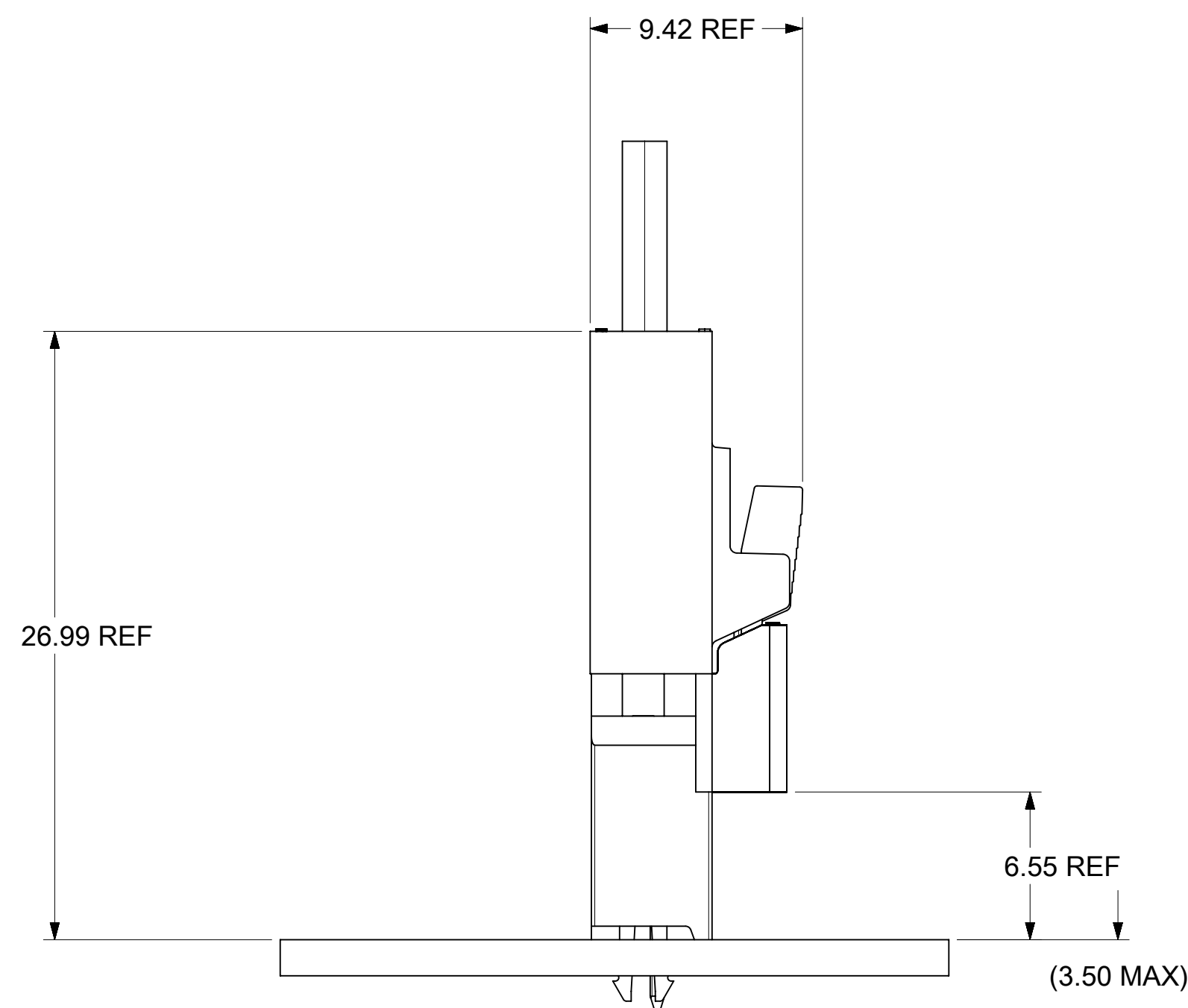


FIRST CIRCUIT MARK
(NOT SHOWING ON 2
AND 3 CIRCUITS SERIES)



NOTES:

- MATERIAL :
HOUSING
OPTION 1: LCP BLACK, UL94 V-0
OPTION 2: LCP NATURAL, UL94 V-0
TERMINAL: COPPER ALLOY
- PLATING FINISH:
OPTION 1 - 1.5µm(60µin)-2.5µm(100µin) TIN OVER
1.25µm(50µin)-2.5µm(100µin) NICKEL OVERALL
OPTION 2 - 0.35µm(15µin) GOLD CONTACT AREA,
1.5µm(60µin)-2.5µm(100µin) TIN TAIL AREA OVER
1.25µm(50µin)-2.5µm(100µin) NICKEL OVERALL
OPTION 3 - 0.70µm(30µin) GOLD CONTACT AREA,
1.5µm(60µin)-2.5µm(100µin) TIN TAIL AREA OVER
1.25µm(50µin)-2.5µm(100µin) NICKEL OVERALL
- PARTS TO BE PACKAGED PER PK-172287-9001
- PRODUCT SPECIFICATION PS-172323-0001
- PART MATES WITH MOLEX RECEPTACLE HOUSING
172256 AND 172260
- PARTS CONFORM TO CLASS "C" REQUIREMENTS OF COSMETIC
SPECIFICATION PS-45499-002
- DISCOLORATION IN THE BANDOLIER AREA OF THE PIN IS
INHERENT TO THE PLATING PROCESS AND IS DUE TO THE MASKING
EFFECT OF THE CARRIER. THIS DISCOLORATION IS IN A NON-FUNCTIONAL
AREA OF THE PIN AND WILL NOT AFFECT THE PERFORMANCE OF THE
HEADER ASSEMBLY.
- APPLICATION SPECIFICATION: AS-172323-0001



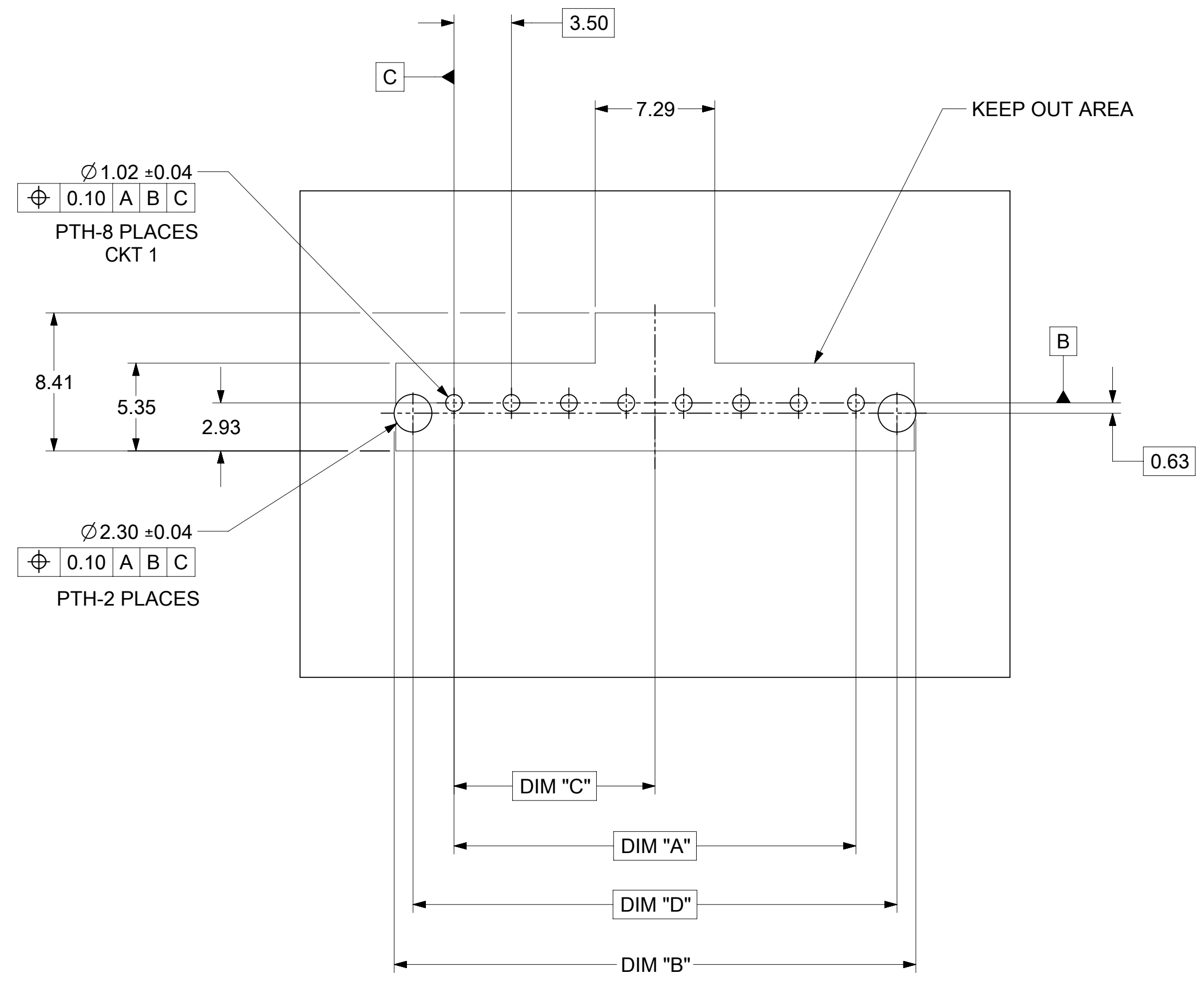
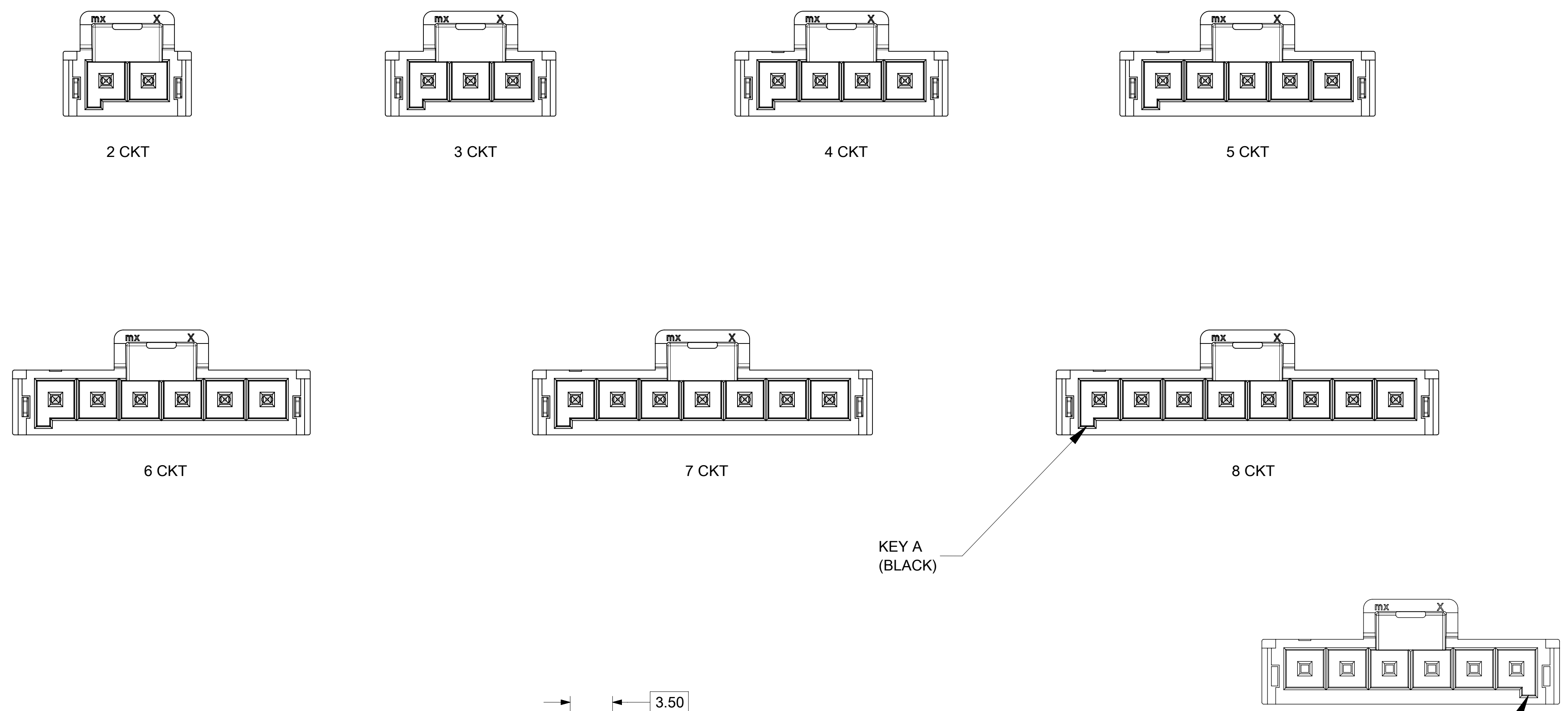
| | | | | | | | | | |
|---|--|------------------------|--|-------------------|--|-----------------|--|--------------|--|
| THIS DRAWING CONTAINS INFORMATION THAT IS PROPRIETARY TO MOLEX ELECTRONIC TECHNOLOGIES, LLC AND SHOULD NOT BE USED WITHOUT WRITTEN PERMISSION | | | | | | | | | |
| DIMENSION UNITS | | SCALE | | CURRENT REV DESC: | | | | | |
| mm | | NTS | | | | | | | |
| GENERAL TOLERANCES (UNLESS SPECIFIED) | | | | | | | | | |
| ANGULAR TOL | | | | ± ° | | | | | |
| 4 PLACES | | ± | | EC NO: 717248 | | 2022/08/05 | | | |
| 3 PLACES | | ± | | DRWN: LEOW | | 2022/08/15 | | | |
| 2 PLACES | | ± 0.25 | | CHK'D: XQZHANG | | 2022/08/15 | | | |
| 1 PLACE | | ± 0.5 | | APPR: XQZHANG | | | | | |
| 0 PLACES | | ± | | INITIAL REVISION: | | | | | |
| DRAFT WHERE APPLICABLE | | THIRD ANGLE PROJECTION | | DRWN: DROSCA | | 2014/03/03 | | | |
| MUST REMAIN WITHIN DIMENSIONS | | DRAWING | | APPR: JCOMERCI | | 2014/04/24 | | | |
| | | D-SIZE | | SERIES | | MATERIAL NUMBER | | CUSTOMER | |
| | | 172287 | | SEE TABLE | | GENERAL MARKET | | SHEET NUMBER | |
| | | | | | | | | 1 OF 2 | |

molex

ULTRA-FIT VERT HEAD ASSY
2-8 CKTS SINGLE ROW WITH SOLDER CLIP

PRODUCT CUSTOMER DRAWING

| | | | |
|-----------------|----------|----------|----------|
| DOCUMENT NUMBER | DOC TYPE | DOC PART | REVISION |
| SD-172287-1000 | PSD | 000 | B6 |



NOTE: DATUM -A- IS ON THE COMPONENT SIDE PCB

| TIN PLATING | | | | | | | |
|-------------|---------|--------------|------------|-------|-------|-------|-------|
| PART NO. | COLOR | CIRCUIT SIZE | KEY OPTION | DIM A | DIM B | DIM C | DIM D |
| 172287-1102 | BLACK | 2 | KEY A | 3.50 | 10.60 | 1.75 | 8.50 |
| 172287-1103 | BLACK | 3 | KEY A | 7.00 | 14.10 | 3.50 | 12.00 |
| 172287-1104 | BLACK | 4 | KEY A | 10.50 | 17.60 | 5.25 | 15.50 |
| 172287-1105 | BLACK | 5 | KEY A | 14.00 | 21.10 | 7.00 | 19.00 |
| 172287-1106 | BLACK | 6 | KEY A | 17.50 | 24.60 | 8.75 | 22.50 |
| 172287-1107 | BLACK | 7 | KEY A | 21.00 | 28.10 | 10.50 | 26.00 |
| 172287-1108 | BLACK | 8 | KEY A | 24.50 | 31.60 | 12.25 | 29.50 |
| 172287-2102 | NATURAL | 2 | KEY B | 3.50 | 10.60 | 1.75 | 8.50 |
| 172287-2103 | NATURAL | 3 | KEY B | 7.00 | 14.10 | 3.50 | 12.00 |
| 172287-2104 | NATURAL | 4 | KEY B | 10.50 | 17.60 | 5.25 | 15.50 |
| 172287-2105 | NATURAL | 5 | KEY B | 14.00 | 21.10 | 7.00 | 19.00 |
| 172287-2106 | NATURAL | 6 | KEY B | 17.50 | 24.60 | 8.75 | 22.50 |
| 172287-2107 | NATURAL | 7 | KEY B | 21.00 | 28.10 | 10.50 | 26.00 |
| 172287-2108 | NATURAL | 8 | KEY B | 24.50 | 31.60 | 12.25 | 29.50 |

| 15 MICROINCH GOLD PLATING | | | | | | | |
|---------------------------|---------|--------------|------------|-------|-------|-------|-------|
| PART NO. | COLOR | CIRCUIT SIZE | KEY OPTION | DIM A | DIM B | DIM C | DIM D |
| 172287-1202 | BLACK | 2 | KEY A | 3.50 | 10.60 | 1.75 | 8.50 |
| 172287-1203 | BLACK | 3 | KEY A | 7.00 | 14.10 | 3.50 | 12.00 |
| 172287-1204 | BLACK | 4 | KEY A | 10.50 | 17.60 | 5.25 | 15.50 |
| 172287-1205 | BLACK | 5 | KEY A | 14.00 | 21.10 | 7.00 | 19.00 |
| 172287-1206 | BLACK | 6 | KEY A | 17.50 | 24.60 | 8.75 | 22.50 |
| 172287-1207 | BLACK | 7 | KEY A | 21.00 | 28.10 | 10.50 | 26.00 |
| 172287-1208 | BLACK | 8 | KEY A | 24.50 | 31.60 | 12.25 | 29.50 |
| 172287-2202 | NATURAL | 2 | KEY B | 3.50 | 10.60 | 1.75 | 8.50 |
| 172287-2203 | NATURAL | 3 | KEY B | 7.00 | 14.10 | 3.50 | 12.00 |
| 172287-2204 | NATURAL | 4 | KEY B | 10.50 | 17.60 | 5.25 | 15.50 |
| 172287-2205 | NATURAL | 5 | KEY B | 14.00 | 21.10 | 7.00 | 19.00 |
| 172287-2206 | NATURAL | 6 | KEY B | 17.50 | 24.60 | 8.75 | 22.50 |
| 172287-2207 | NATURAL | 7 | KEY B | 21.00 | 28.10 | 10.50 | 26.00 |
| 172287-2208 | NATURAL | 8 | KEY B | 24.50 | 31.60 | 12.25 | 29.50 |

| 30 MICROINCH GOLD PLATING | | | | | | | |
|---------------------------|---------|--------------|------------|-------|-------|-------|-------|
| PART NO. | COLOR | CIRCUIT SIZE | KEY OPTION | DIM A | DIM B | DIM C | DIM D |
| 172287-1302 | BLACK | 2 | KEY A | 3.50 | 10.60 | 1.75 | 8.50 |
| 172287-1303 | BLACK | 3 | KEY A | 7.00 | 14.10 | 3.50 | 12.00 |
| 172287-1304 | BLACK | 4 | KEY A | 10.50 | 17.60 | 5.25 | 15.50 |
| 172287-1305 | BLACK | 5 | KEY A | 14.00 | 21.10 | 7.00 | 19.00 |
| 172287-1306 | BLACK | 6 | KEY A | 17.50 | 24.60 | 8.75 | 22.50 |
| 172287-1307 | BLACK | 7 | KEY A | 21.00 | 28.10 | 10.50 | 26.00 |
| 172287-1308 | BLACK | 8 | KEY A | 24.50 | 31.60 | 12.25 | 29.50 |
| 172287-2302 | NATURAL | 2 | KEY B | 3.50 | 10.60 | 1.75 | 8.50 |
| 172287-2303 | NATURAL | 3 | KEY B | 7.00 | 14.10 | 3.50 | 12.00 |
| 172287-2304 | NATURAL | 4 | KEY B | 10.50 | 17.60 | 5.25 | 15.50 |
| 172287-2305 | NATURAL | 5 | KEY B | 14.00 | 21.10 | 7.00 | 19.00 |
| 172287-2306 | NATURAL | 6 | KEY B | 17.50 | 24.60 | 8.75 | 22.50 |
| 172287-2307 | NATURAL | 7 | KEY B | 21.00 | 28.10 | 10.50 | 26.00 |
| 172287-2308 | NATURAL | 8 | KEY B | 24.50 | 31.60 | 12.25 | 29.50 |

THIS DRAWING CONTAINS INFORMATION THAT IS PROPRIETARY TO MOLEX ELECTRONIC TECHNOLOGIES, LLC AND SHOULD NOT BE USED WITHOUT WRITTEN PERMISSION

| | | | |
|--|--------|------------------------|----------------|
| DIMENSION UNITS | SCALE | CURRENT REV DESC: | |
| mm | NTS | | |
| GENERAL TOLERANCES (UNLESS SPECIFIED) | | | |
| ANGULAR TOL | ± ° | | |
| 4 PLACES | ± | | |
| 3 PLACES | ± | | |
| 2 PLACES | ± 0.25 | | |
| 1 PLACE | ± 0.5 | | |
| 0 PLACES | ± | | |
| DRAFT WHERE APPLICABLE MUST REMAIN WITHIN DIMENSIONS | | THIRD ANGLE PROJECTION | DRAWING |
| | | | D-SIZE |
| | | SERIES | 172287 |
| | | MATERIAL NUMBER | SEE TABLE |
| | | CUSTOMER | GENERAL MARKET |
| | | SHEET NUMBER | 2 OF 2 |

molex

ULTRA-FIT VERT HEAD ASSY
2-8 CKTS SINGLE ROW WITH SOLDER CLIP

PRODUCT CUSTOMER DRAWING

DOCUMENT NUMBER: **SD-172287-1000** DOC TYPE: PSD DOC PART: 000 REVISION: B6

EC NO: 717248
 DRWN: LEOW 2022/08/05
 CHK'D: XQZHANG 2022/08/15
 APPR: XQZHANG 2022/08/15

INITIAL REVISION:
 DRWN: DROSCA 2014/03/03
 APPR: JCOMERCI 2014/04/24