

Metal Switch Medium Stroke, Switching Voltage up to 36 VDC



MCS ES 18

See below:

Approvals and Compliances

Description

- Vandal-proof momentary switch with a diameter of 18 mm
- Assembly by mounting with nut
- Screw terminal

Characteristics

- Housing and actuator material: high-quality stainless steel
- Rugged design, protection against vandalism
- For use in harsh environments, both indoors and outdoors (see technical data)

Weblinks

[html datasheet](#), [General Product Information](#), [CAD-Drawings](#), [Product News](#), [Detailed request for product](#)

Technical Data

Electrical Data

Contact Material Silver

Switching Voltage	min. 3 VAC/VDC max. 36 VDC / 220 VAC
Switching Current	min. 5 mA AC/DC max. 2 A DC / 0.5 A AC
Rated Switching Capacity	72 W (DC) , 110 W (AC)
Lifetime	200'000 actuations (36 VDC) 50'000 actuations (220 VAC)
Contact Resistance	< 50 mΩ
Insulation Resistance	> 1'000 MΩ
Duration of Bounce	< 10 ms

Mechanical Data

Actuating Force	4 N
Actuating Travel	1.8 mm
Lifetime	200'000 actuations
Shock Protection	IK 09
Mounting screw torque	0.8 Nm

Climatical Data

Operating Temperature	-25 to 55 °C
Storage Temperature	-25 to 55 °C
IP-Protection	IP65

Material

Contact Material	Ag
Housings	Stainless Steel
Actuator unlettered	Stainless Steel

Approvals and Compliances

Detailed information on product approvals, code requirements, usage instructions and detailed test conditions can be looked up in [Details about Approvals](#)

SCHURTER products are designed for use in industrial environments. They have approvals from independent testing bodies according to national and international standards. Products with specific characteristics and requirements such as required in the automotive sector according to IATF 16949, medical technology according to ISO 13485 or in the aerospace industry can be offered exclusively with customer-specific, individual agreements by SCHURTER.

Product standards

Product standards that are referenced

Organization	Design	Standard	Description
	Designed according to	EN 50102	Switches for appliances. Part 1. General requirements



Application standards

Application standards where the product can be used

Organization	Design	Standard	Description
	Designed for applications acc.	IEC/UL 60950	IEC 60950-1 includes the basic requirements for the safety of information technology equipment.

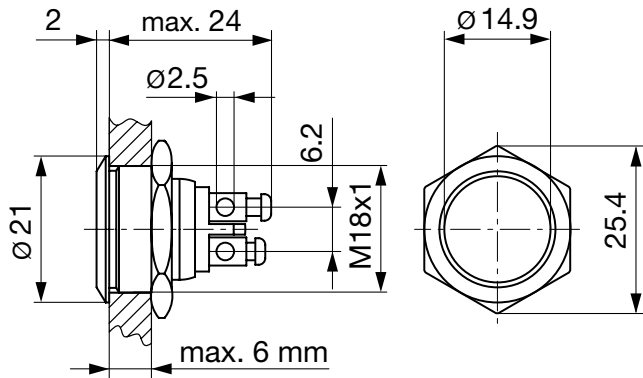
Compliances

The product complies with following Guide Lines

Identification	Details	Initiator	Description
	RoHS	SCHURTER AG	Directive RoHS 2011/65/EU, Amendment (EU) 2015/836
	REACH	SCHURTER AG	On 1 June 2007, Regulation (EC) No 1907/2006 on the Registration, Evaluation, Authorization and Restriction of Chemicals 1 (abbreviated as "REACH") entered into force.

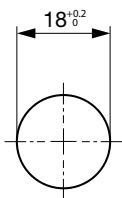
Dimension [mm]

MCS ES 18



Dimension

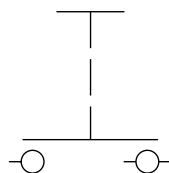
MCS ES 18



Drilling diagram

Diagrams

MCS ES 18



All Variants

Switching Current	Switching Voltage	Contact Material	Shock Protection	Torsion Protection	IP Protection Class Front Side	Config. Code	Order Number
[A]	[VAC/ VDC]						
2 A DC	36 VDC	Ag	IK 09	no	IP65	MCS ES 18	1301.9560

Nut with gasket are enclosed in the box.

Most Popular.

Availability for all products can be searched real-time: <https://www.schurter.com/en/Stock-Check/Stock-Check-SCHURTER>

Packaging unit 40 in cardboard box



- Actuating elements in ESD safe packaging
- Screw nuts and sealing rings in a bag (enclosed in the box)
- Micro switches (enclosed in the box)