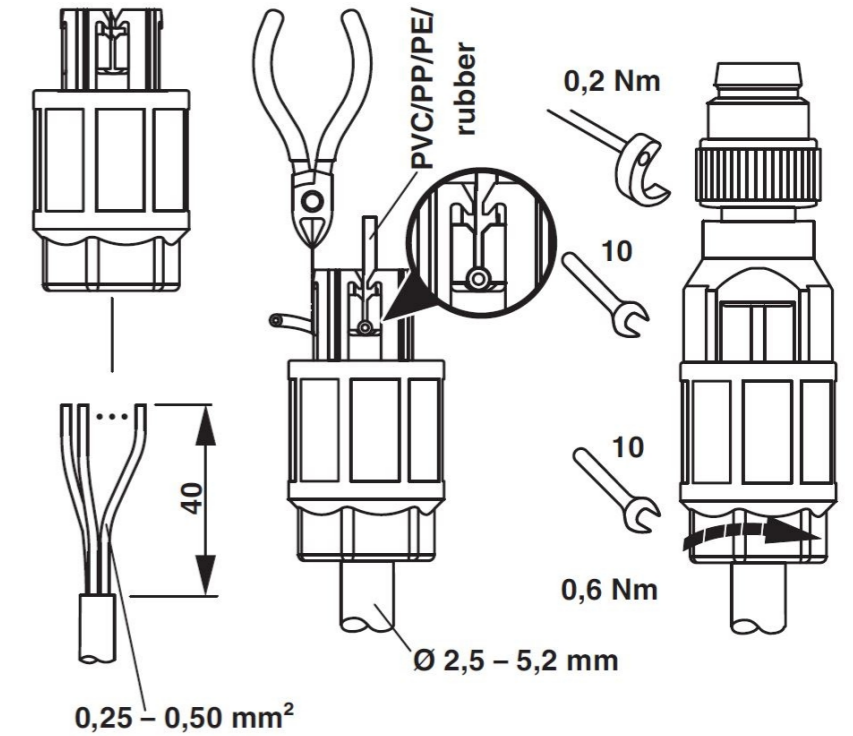


SCALE 2:1



NOTES:

Ambient temperature (operation):
 -25 °C ... 80 °C (Plug / socket)
 Degree of protection: IP65
 Degree of protection: IP67
 General:
 Rated current at 40°C: 3 A
 Rated voltage: 60 V
 Number of poles: 3
 Connection method:

Insulation displacement connection

Conductor cross section: 0.25 mm² ... 0.5 mm²
 Wire diameter including insulation: 1.1 mm ... 1.55 mm
 Cable outlet: 2.5 mm ... 5 mm ±0.2 mm

Structure of individual litz in acc. with VDE 0295
 / smallest wire diameter: Class 2-6

Contact material: CuSn
 Contact surface material: Ni/Au

ENG.-No.: N03MA03144

THIS DRAWING CONTAINS INFORMATION THAT IS PROPRIETARY TO MOLEX INCORPORATED AND SHOULD NOT BE USED WITHOUT WRITTEN PERMISSION									
QUALITY SYMBOLS ▽ = 0 ▽ = 0 ▽ = 0 ▼ = 0 ▽ = 0 ⊠ = 0 ■ = 0 ▽ = 0	EC DESCRIPTION EC NO.: 108741 DRWN: THAERDT CHK'D: REV APPR: RSILLER	2016/09/23	2016/09/23	GENERAL TOLERANCES (UNLESS SPECIFIED)		DIMENSION UNITS	SCALE		
				ANGULAR TOL ± 1.0 °		MM	5:1		
		4 PLACES ±		DRWN BY		MSCHWARZ	DATE	FA M8 3P AC MA STR IDC UNSH	
		3 PLACES ±		CHK'D BY			DATE	PRODUCT CUSTOMER DRAWING	
		2 PLACES ± 0.05		APPR BY			DATE	SERIES	MATERIAL NUMBER
1 PLACE ± 0.3		DRAFT WHERE APPLICABLE MUST REMAIN WITHIN DIMENSIONS		A3	THIRD ANGLE PROJECTION	120091	1200910027	GENERAL MARKET	
0 PLACES ± 0.5						DOCUMENT NUMBER	DOC TYPE	DOC PART	SHEET NUMBER
						1200910027	PSD	000	1 OF 1