

NEWNEX PROPRIETARY

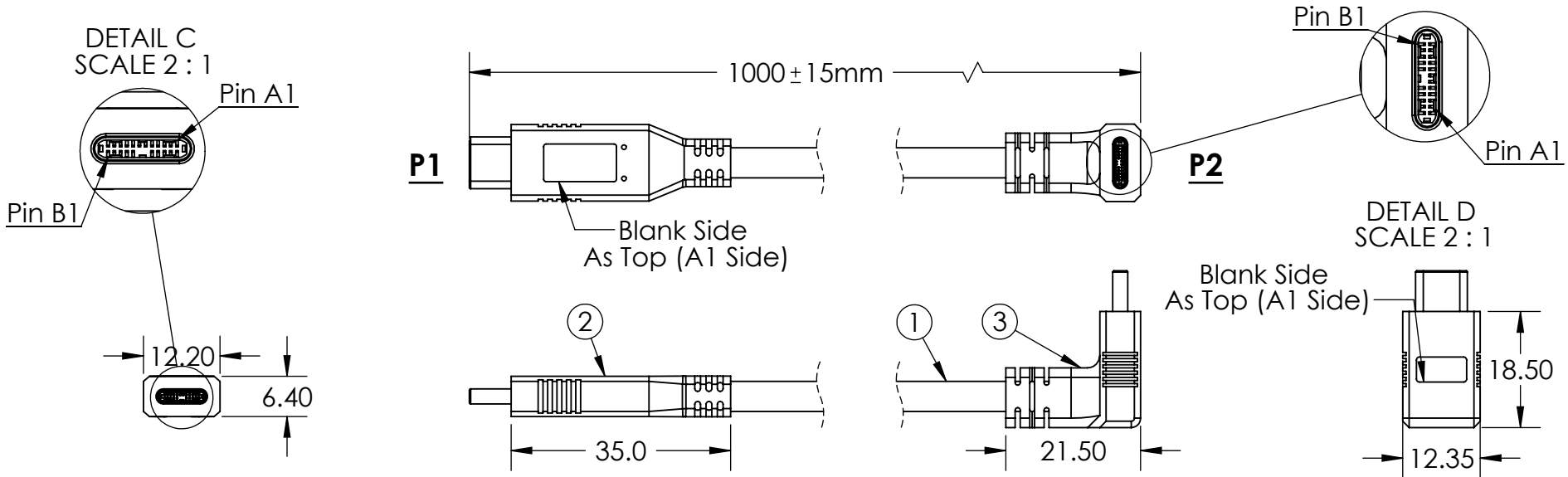
THIS DOCUMENT AND THE DATA DISCLOSED HEREIN OR WITHIN IS NOT TO BE REPRODUCED, USED, OR DISCLOSED IN WHOLE OR PART TO ANYONE WITHOUT THE WRITTEN PERMISSION OF NEWNEX

COMPANY NAME

CUSTOMER SIGNATURE

DATE

COMMENTS:



WIRING STRUCTURE

USB Type-C Plug #1		WIRE		USB Type-C Plug #2	
PIN	SIGNAL	Wire Number	SIGNAL	PIN	SIGNAL
A1, B1, A12, B12	GND	1	GND_PWRrt	A1, B1, A12, B12	GND
A4, B4, A9, B9	VBUS	2	PWR_Vbus	A4, B4, A9, B9	VBUS
A5	CC	3	CC	A5	CC
B5	VCONN		NC	B5	VCONN
A6	Dp1	4	UTP_Dp	A6	Dp1
A7	Dn1	5	UTP_Dn	A7	Dn1
A2	SSTXp1	6	SDPp1	B11	SSRXp1
A3	SSTXn1	7	SDPn1	B10	SSRXn1
B11	SSRXp1	8	SDPp2	A2	SSTXp1
B10	SSRXn1	9	SDPn2	A3	SSTXn1
B2	SSTXp2	10	SDPp3	A11	SSRXp2
B3	SSTXn2	11	SDPn3	A10	SSRXn2
A11	SSRXp2	12	SDPp4	B2	SSTXp2
A10	SSRXn2	13	SDPn4	B3	SSTXn2
A8	SBU1	14	SBU_A	B8	SBU2
B8	SBU2	15	SBU_B	A8	SBU1
SHELL	Shield	Braid	Shield	SEHLL	Shield

Notes:

1. Cable: USB 3.1 Full Feature Cable
2. Connector: USB 3.1 Type C Male.
3. Connector: USB 3.1 Type C Down Angled Male.
4. Packaging: 1 Piece + PE bag.

Newnex Technology Corp.



UNLESS OTHERWISE SPECIFIED DIMENSIONS ARE IN MILLIMETERS TOLERANCES ARE:

FRACTIONS DECIMALS ANGLES
 • NA XX ± 0.2
 XX ± 0.10
 XXX ± 0.050



SCALE: 1:1
 REV: A

TITLE: USB 3.1 C Male to Angled C Male, 1m, Black.

DATE: 9/10/2019

DRAWN BY: ZL

APPROVED BY: ZL

PART NUMBER: U4S5C01CD6-010

CHECKED BY:

SHEET 1 OF 1

*100% OPEN, SHORT, MISWIRE TESTING

*RoHS compliant product

REVISION COMMENTS: Drawing generated