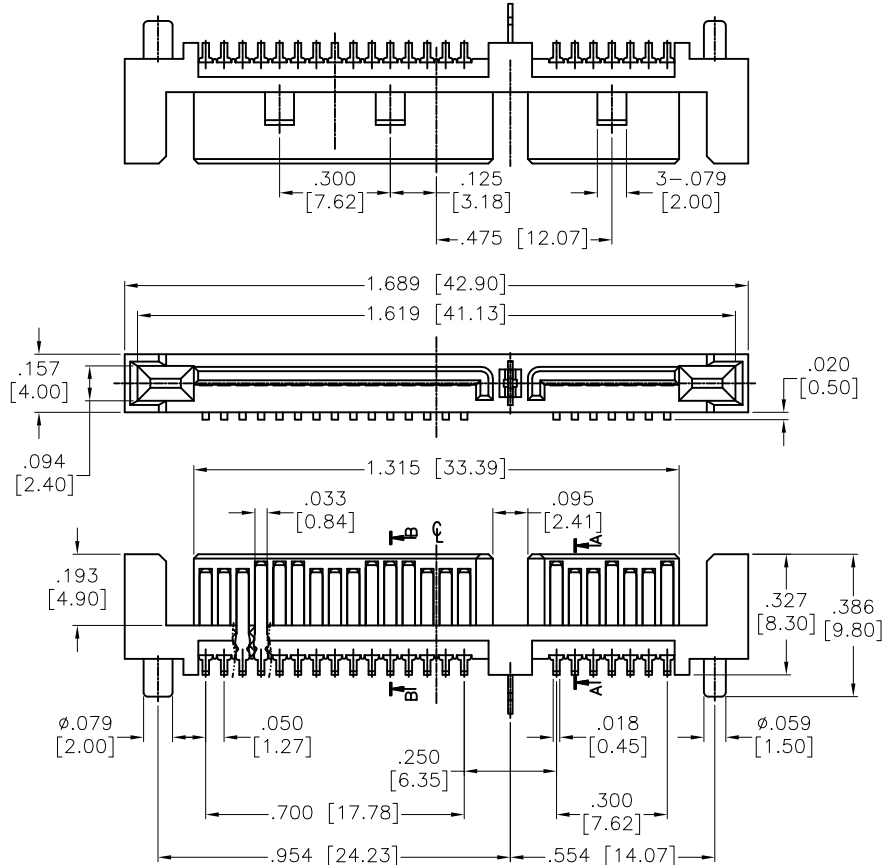
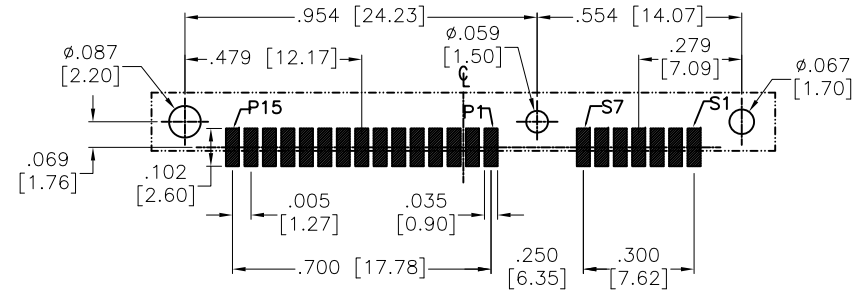


APPROVED: _____
 DATE: _____ TITLE: _____

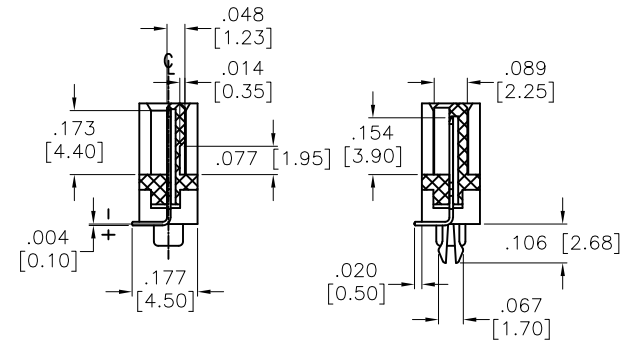
Rev	AWO #	Description	Date	Appr
-		RELEASED	5/23/05	
A		UPDATE DRAWING	6/18/20	AY/EY



Pin NO.	Signal Name	Pin NO.	Power Name	Pin NO.	Power Name
S1	GND	P1	V3.3	P9	V5
S2	A+	P2	V3.3	P10	GND
S3	A-	P3	V3.3	P11	DAS/DSS
S4	GND	P4	GND	P12	GND
S5	B-	P5	GND	P13	V12
S6	B+	P6	GND	P14	V12
S7	GND	P7	V5	P15	V12
		P8	V5		



RECOMMENDED P.C.B LAYOUT



SECTION B-B

SECTION A-A

SPECIFICATIONS:

Material:
 Insulator: (LCP) Hi-Temp Thermoplastic, rated UL 94V-0
 Insulator color: Black
 Contacts: Brass
 Harpoon: Brass, Tin over Nickel plated
 Plating:
 Gold flash over Nickel underplate on mating area,
 Tin over Nickel underplate on tails
 Electrical:
 Current rating: 1.5 Ampere Per Contact
 Contact resistance: 30 mohms max
 Insulation resistance: 1,000 Mohms min
 Dielectric withstanding voltage: 500 VAC
 Temperature Rating:
 Operating temperature: -55°C to +85°C
 Environmental:
 Lead free, RoHS compliant



UNLESS OTHERWISE SPECIFIED ALL DIMENSIONS ARE INCHES [MM] TOLERANCES: EXCEPT AS NOTED INCHES HOLES .X ± .10 Ø.X ± .10 .XX ± .020 Ø.XX ± .015 .XXX ± .015 Ø.XXX ± .010		ADAM TECH INTERCONNECTS		909 Rahway Avenue, Union, NJ 07083 Phone: 908-687-5000 Fax: 908-687-5710	
TITLE SERIAL ATA CONNECTOR, TYPE G SURFACE MOUNT					
APPROVALS		DATE		SIZE	
DRAWN	SS	5/23/05		PART NO.	
CHECKED				SATA-G-PM-SMT	
APPROVED				REF:	S00078T
				SCALE:	NTS
				SHEET 1 OF 1	