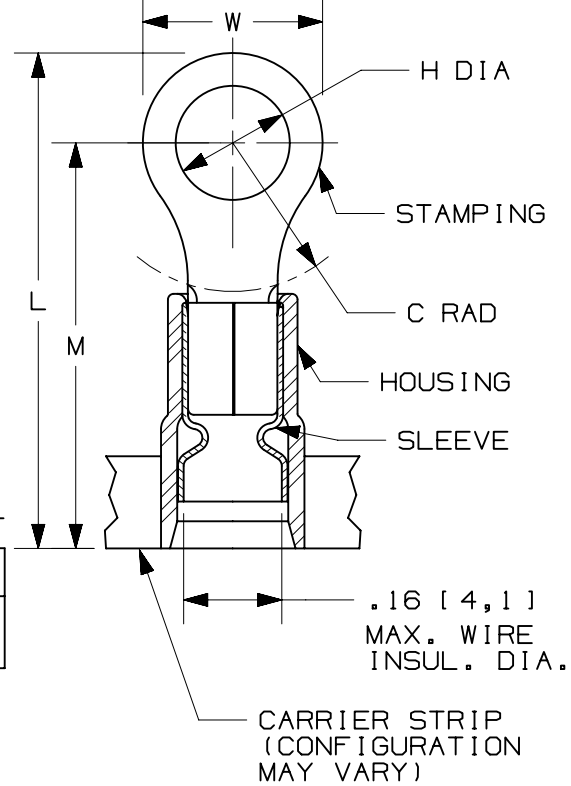


THIS COPY IS PROVIDED ON A RESTRICTED BASIS AND IS NOT TO BE USED IN ANY WAY DETRIMENTAL TO THE INTERESTS OF PANDUIT CORP.

PANDUIT PART #	MILITARY PART # AND CLASS	STUD SIZE		DIMENSIONS in. [mm]					CA9 SERIES CRIMP DIE	CA-800(EZ) SERIES CRIMP DIE
		ENGLISH	METRIC	L ± .03 [0,8]	W ± .01 [0,3]	C ± .02 [0,5]	M ± .03 [0,8]	H ± .01 [0,3]		
PNF14-4R-3K	MS25036-152 CLASS 2	#4	--	.78 [19,8]	.25 [6,4]	.18 [4,6]	.66 [16,8]	.12 [3,1]	CD9-2A	CD-800-2
PMNF2-3R-3K	-----	--	M3	.76 [19,3]	.23 [5,8]	.20 [5,1]	.65 [16,5]	.13 [3,3]		
PNF14-6R-3K	MS25036-107 CLASS 2	#6	M3,5	.87 [22,1]	.31 [7,9]	.24 [6,1]	.71 [18,0]	.15 [3,8]		
PNF14-6RN-3K	MS25036-106 CLASS 2	#6	M3,5	.78 [19,8]	.25 [6,4]	.18 [4,6]	.63 [16,0]	.15 [3,8]		
PNF14-8R-3K	MS25036-153 CLASS 2	#8	M4	.87 [22,1]	.31 [7,9]	.25 [6,4]	.71 [18,0]	.17 [4,3]		
PNF14-10R-3K	MS25036-108 CLASS 2	#10	--	.85 [21,6]	.31 [7,9]	.29 [7,4]	.71 [18,0]	.20 [5,1]		
PMNF2-5R-3K	-----	--	M5	.88 [22,4]	.35 [8,9]	.26 [6,5]	.71 [18,0]	.21 [5,3]		
PNF14-14R-3K	MS25036-154 CLASS 2	1/4"	M6	1.06 [27,0]	.46 [11,7]	.40 [10,2]	.85 [21,6]	.27 [6,9]		

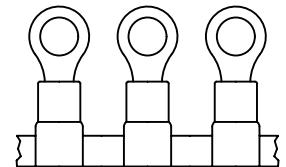


PRESS/APPLICATOR COMPATIBILITY CHART

PRESS	CP-871	CP-861
APPLICATOR	CA9 CA-800EZ	CA-800

NOTES:

- cULus LISTED FOR:
 - A. #16-14 AWG [1,5-2,5 mm²] SOLID OR STRANDED COPPER WIRE
 - B. 221°F [105°C] MAX. OPERATING TEMPERATURE
 - C. 600 V. MAX. VOLTAGE RATING
- SEE www.panduit.com FOR PACKAGE QUANTITIES
- MATERIAL:
 - A. STAMPING: .03" [0,8] THK COPPER, TIN PLATED
 - B. HOUSING: NYLON, BLUE
 - C. SLEEVE: BRASS, TIN PLATED
- DIMENSIONS IN BRACKETS ARE METRIC EQUIVALENT
- WIRE STRIP LENGTH: 1/4" ^{+1/32} [6,4^{+0,8}]



REV	DATE	BY	CHK	APR	DESCRIPTION	ECN
08	07/14	MBY	JHNU	RGB	REVISED NOTES, MOVED TOOLS TO TABLE, REVISED CERTIFICATION	N41144BA-A41144
07	09.12.12	JBN	LCA	VMB	ADDED METRIC EQUIVALENT. REVISED NOTES. UPDATED DRAWING TO CURRENT STANDARDS.	A41144

TITLE		RING TERMINALS, 3 PC. NYLON FUNNEL INSULATED, #16-14, CONTINUOUS REEL	
CUSTOMER DRAWING			
ITEM REVISION NAME	N41144BA/10		
DATASET FILE NAME	N41144BA_DC/10A		
UNLESS OTHERWISE SPECIFIED, DIMENSIONAL TOLERANCES ARE: IN [mm]		MATERIAL: SEE NOTES	
.X ±		.XXX ±	
.XX ±		ANGLES ±	
THIRD ANGLE PROJECTION		DRAWING NUMBER: A41144	
DRAWN BY	DATE	CHK	SCALE
FES	-	FS	N.T.S.
SHT 1 OF 1			SIZE A

D10100DA/15