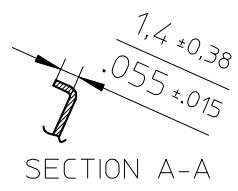
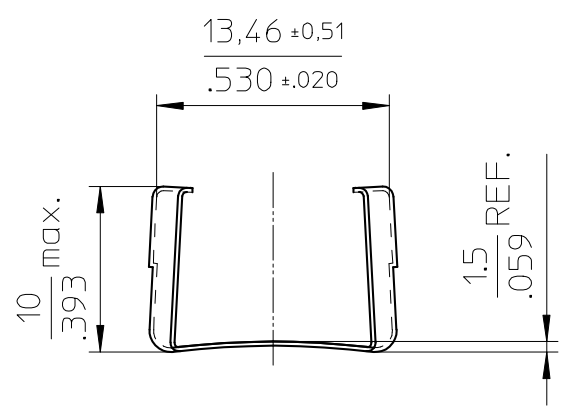
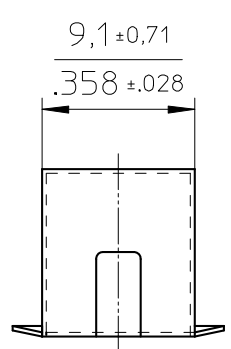
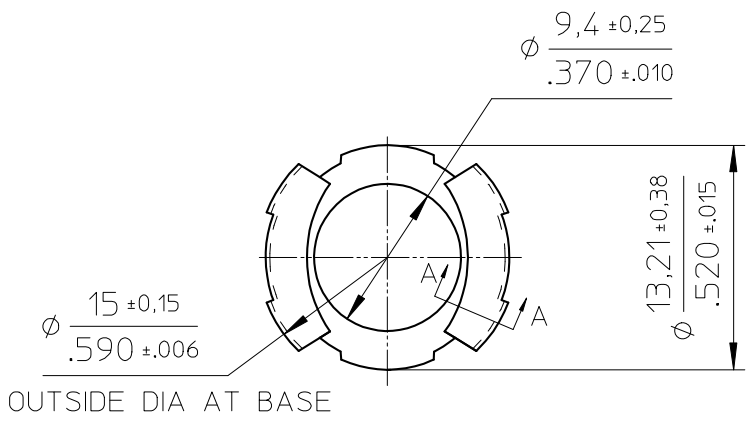
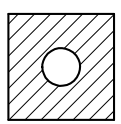
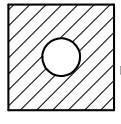
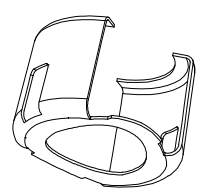


**FERROXCUBE**



Material: High carbon steel springsteel thickness 0.011 inch (0.28 mm)  
 austemper Hrc 44-51,  
 Ni flash thickness 0.00006-0.00008 inch (1,5 - 2,0 μm)  
 Sn electroplated thickness 0.00015-0.00020 inch (4 - 5 μm)



CLASS.NO.		CLM/T-P14/8-C		4322 021 26491		24-06-2010	
						6-05-2011	
NAME NAAM	M.Tryngiel	SUPERS. VERY.		SH BL.	-	A4	
MPA	CHECK CONTR.	DAT.	01-06-01	Property of Eigendom van	© FERROXCUBE 2000		