

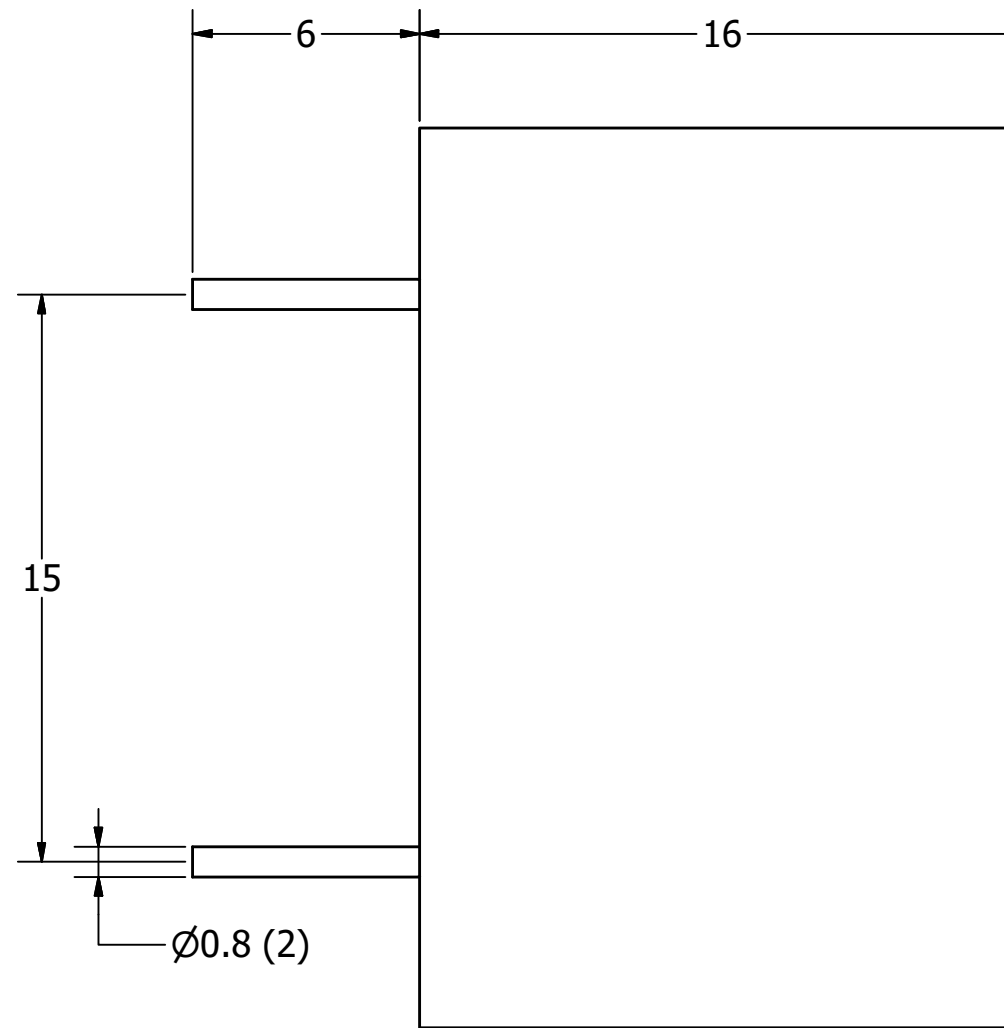
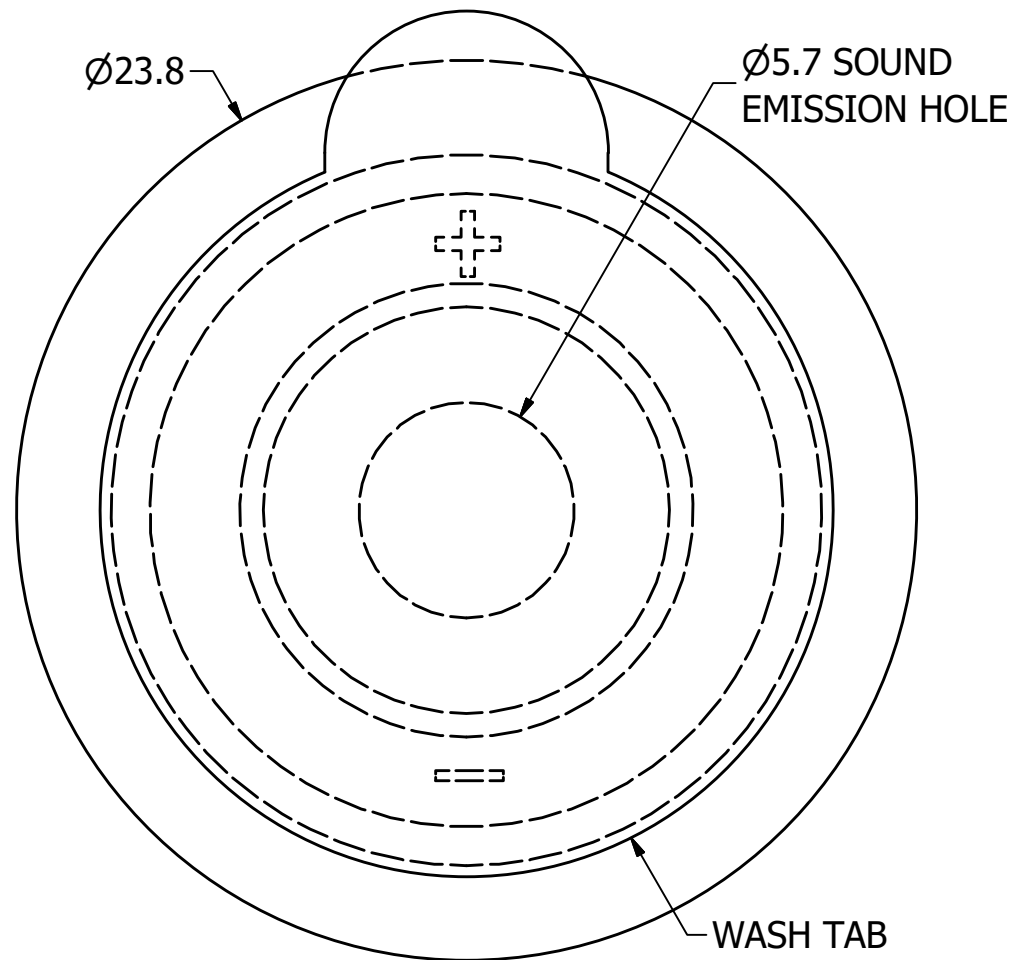
SPECIFICATIONS

PARAMETERS	VALUES	UNITS
RATED VOLTAGE	12	Vp-p
OPERATING VOLTAGE RANGE	2 ~ 30	Vp-p
RATED CURRENT (MAX)	8	mA
CAPACITANCE	70,000 ± 30%	pF
MINIMUM SPL @ 10 CM	90	dBA
RESONANT FREQUENCY	2,900 ± 500	Hz
OPERATING TEMPERATURE	-30 ~ +105	°C
STORAGE TEMPERATURE	-40 ~ +105	°C
HOUSING MATERIAL	PPS	-
TERMINAL MATERIAL	Sn PLATED RED COPPER	-
WEIGHT	5	grams

THIS DOCUMENT CONTAINS DATA PROPRIETARY TO PROJECTS UNLIMITED, INC. ANY USE OR REPRODUCTION, IN ANY FORM, WITHOUT PRIOR WRITTEN PERMISSION OF PROJECTS UNLIMITED, INC. IS PROHIBITED.
©2003, Projects Unlimited Inc.

REVISION HISTORY

LTR	DESCRIPTION	DATE	APPROVED
-	RELEASED FROM ENGINEERING	2/22/2006	
A	REVISED TEMPERATURE RANGES	5/28/2008	B.R.
B	REVISED TEMPERATURE RANGES	6/24/2008	B.R.
C	REVISED TO INVENTOR 3-D DRAWING TEMPLATE	9/30/2008	B.R.
D	REVISED CAPACITANCE	7/23/2018	M.V.
E	REVISED TEMPERATUERE SPECIFICATIONS	2/28/2020	M.V.



NOTES:

1. ALL DIMENSIONS ARE IN MILLIMETERS.
2. SPECIFICATIONS SUBJECT TO CHANGE OR WITHDRAWL WITHOUT NOTICE.
3. THIS PART IS RoHS 2002/95/EC COMPLIANT.

UNLESS OTHERWISE SPECIFIED: DIMENSIONS ARE IN MILLIMETERS, TOLERANCES ARE ±0.5 AND ANGLES ARE ±3°.	SIZE A3	Designed by	Date	Checked by	Date	Approved by	Date	Drawn Date
		J.A.F.	2/22/2006	B.R.	2/22/2006	E.P.	2/22/2006	9/30/2008
AT-2429-TWT-R.idw				AT-2429-TWT-R			Transducer (Piezo)	
							Edition	Sheet
							-	1 / 1